

Ellipsoidals

Wash



iImagine

Last update:
26/02/2025



Profile Optic

Wash Zoom Optic

Fixed Optic

iImagine series

Introducing

● We are proud to introduce you to the new Coemar product family, iImagine. High power is not always necessary and this is why iImagine was born. Anyone who needs a profiler or a wash with an incredible light emitted/power ratio must have our brand new iImagine. We have thought of everything, from optics to mounting options, to ensure that anyone can find the perfect product for their needs.

Key Features

- Fixed White COB LED (T/D version)
- Tunable White COB LED (VW version)
- Full Colour and Dynamic White (RGBWW version)

- CRI > 95

- CCT fixed: 2.700 K, 3.000 K, 3.500 K, 4.000 K, 5.000 K, 5.600 K, 6.500 K
- Tunable white from 2.700 K → 6.500 K
- RGBWW (CCT range from 1.800 K → 8.000 K)

- IP20

- High Definition Optics
- High lumen flux and flat field

- Fixed 10°, 15°, 20°, 30° or 40°
- Wash 5° and Wash Zoom 10°-50°
- Profile Zoom 18°-35°, 25°-40°, 50°-60°

- Four blade framing system, each shutter blade is adjustable for radial position and angle

- Full Body in Aluminum

- Custom color on request (optional)

- Track



iImagine with Profile Zoom Optic

Versions

| Series | Version | Optic | Barrel | Mounting | Controls |
|----------------------|---------|---------------------------------|---|----------|---------------|
| iImagine | Fixed | Fixed 10°, 15°, 20°, 30° or 40° | Integrated Barrel with 4 Shutter Blades (Profile version) | Track | DMX512 |
| | Wash | Wash 5° | | | DALI |
| | Profile | Wash Zoom 10°-50° | | | On / Off |
| | | Profile Zoom 18°-35° | | | On Board |
| | | Profile Zoom 25°-40° | | | Potentiometer |
| Profile Zoom 50°-60° | | | | | |



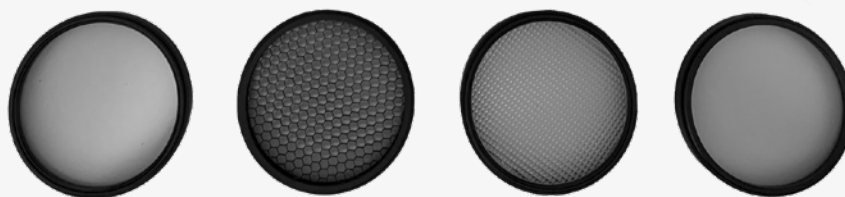
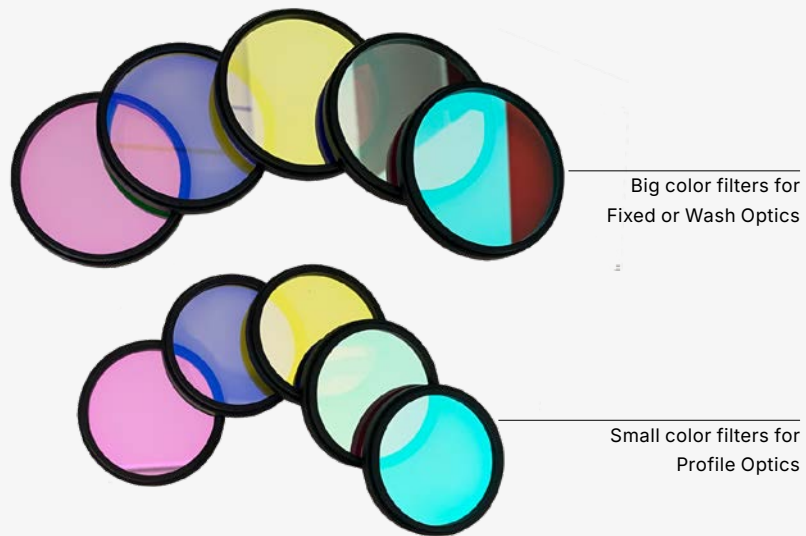
iImagine series white body

| General | |
|--|---|
| ● LED Source | Fixed White COB LED (T/D version), Tunable White COB LED (VW version) or RGBWW (White CCT range from 1800 K → 8000 K) |
| ● LED Source Luminous Flux | 1.713 lm @Tc25 °C, 1.600 lm @Tj85 °C (Profile Zoom + Wash) R: 278 lm, G: 659 lm, B: 143 lm, W: 810 lm (CCT 3.850~4.100 K), WW: 770 lm (CCT 2.200~2.300 K) @Ta25°C |
| ● CCT Range | ● ● ● ● ● 2.700 K, 3.000 K, 3.500 K, 4.000 K, 5.000 K, 5.600 K, 6.500 K (T/D version) ● ● ● ● ● 2.700 K → 6.500 K (VariWhite Version) ● ● ● ● ● 1.800 K → 8.000 K (RGBWW Version) |
| ● Color Rendition Average | CRI > 95 |
| ● Available Optics | Fixed Optics 10°, 15°, 20°, 30° or 40°, Wash 5°, Wash Zoom 10°-50°, Profile Zoom 18°-35°, 25°-40°, 50°-60° |
| ● L80 Rating (hours to 80% output) | 50.000 hours |
| ● Pan /Tilt | Pan 355°, Tilt 180° |
| ● Pattern projection | Yes (internal gobo holder) |
| ● Pattern Size | Gobo outside diameter: Ø30 mm (1.18 in) max image diameter: Ø23 mm (0.91 in) max Gobo thickness: 3 mm (0.12 in)max Gobo thickness: 2 mm (0.07 in) |
| Electrical | |
| ● Voltage Input | 220-240 V, auto-sensing, 50/60 Hz |
| ● Power Consumption | 20 W |
| Thermal | |
| ● Ambient Operating Temperature | 0°C - +40°C (32°F - 104°F) |
| ● Cooling | Passive cooling and fan-free |
| Control | |
| ● Protocols | On/Off, On board potentiometer, Dali, DMX512 |
| ● RDM | DMX Setup, Fixture Status, RDM Commands (only DMX version) |
| Physical | |
| ● Mounting | Track |
| ● Materials | Aluminium construction (EN AB-46100 grade) |
| ● Framing System | Four blade framing system, each shutter blade is adjustable for radial position and angle (+/- 30°) |
| ● Fine Texture | High temperature powder-coated paint |
| ● Tool-free | Tilt and beam adjustment |
| ● Weight | Profile optics vrs. 1.58 kg (3.48 lbs), Wash optic vrs. 1.04 kg (2.29 lbs), Fixed optics vrs. 0.98 kg (2.16 lbs) |
| ● Length | Profile optics vrs. 250 mm (9.84 in), Wash optic vrs. 148 mm (5.83 in), Fixed optics vrs. 136 mm (5.35 in) |
| ● Height | 177 mm (6.97 in) |
| ● Width | 82 mm (3.23 in) |
| ● IP Rating | IP20 |
| ● Color options | Black and white (standard), custom color on request (optional) |
| Optics | |
| ● Fixed Optics | 10°, 15°, 20°, 30° or 40° |
| ● Wash Optic | 5°, Zoom 10°-50° |
| ● Profile Optics | Zoom 18°-35°, 25°-40°, 50-60° |
| Accessories | |
| Full set of Color, Frost and Beam shaping filter, Honey-comb | |
| Full, Medium and Half Top Hat, Barndoor | |



Imagine interchangeable optics system

Filters



Oval filter

Honeycomb filter

Micro-prismatic filter

Softening filter



Compatible Track System

DALI, DMX versions - Table A

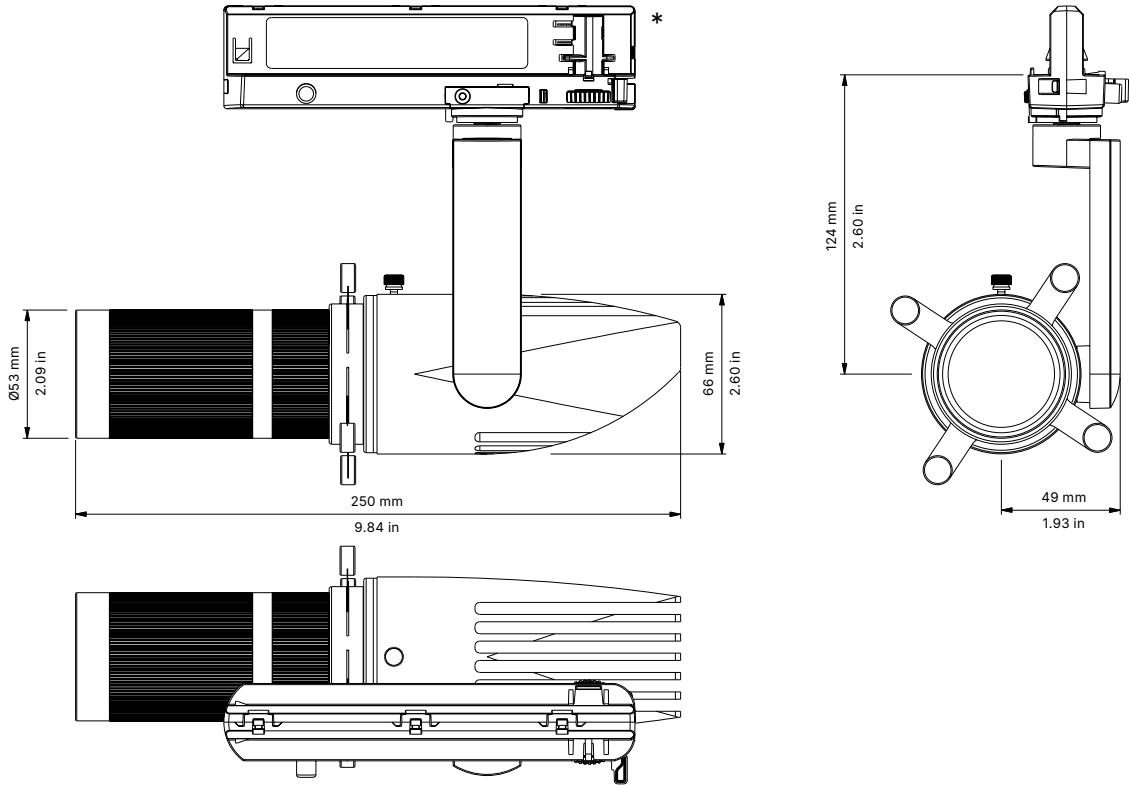
| Manufacturer | Type | Model | System |
|------------------|------------------------------|--|------------------|
| Eutrac | One Track | 575 2 1101 575 2 1102 575 2 1103 575 2 1104 | 3-phase + SIGNAL |
| Nordic Aluminium | Global Track pulse DALI | XTSC 6x00 XTSCF 6x00 x=1, 2, 3, 4 | 3-phase + SIGNAL |
| Powergear | 3 Circuits DALI track system | PRO-06X0, 064000 PRO-R6x0, R6400 x=1, 2, 3 | 3-phase + SIGNAL |
| Stucchi | One Track Advance | 9000A-.../...-ST 9000A-.../...-R | 3-phase + SIGNAL |
| Targetti | Eurostandard Plus | 9000A-.../...-ST 9000A-.../...-R | 3-phase + SIGNAL |

On/Off, On board potentiometer, Bluetooth App versions - Table B *

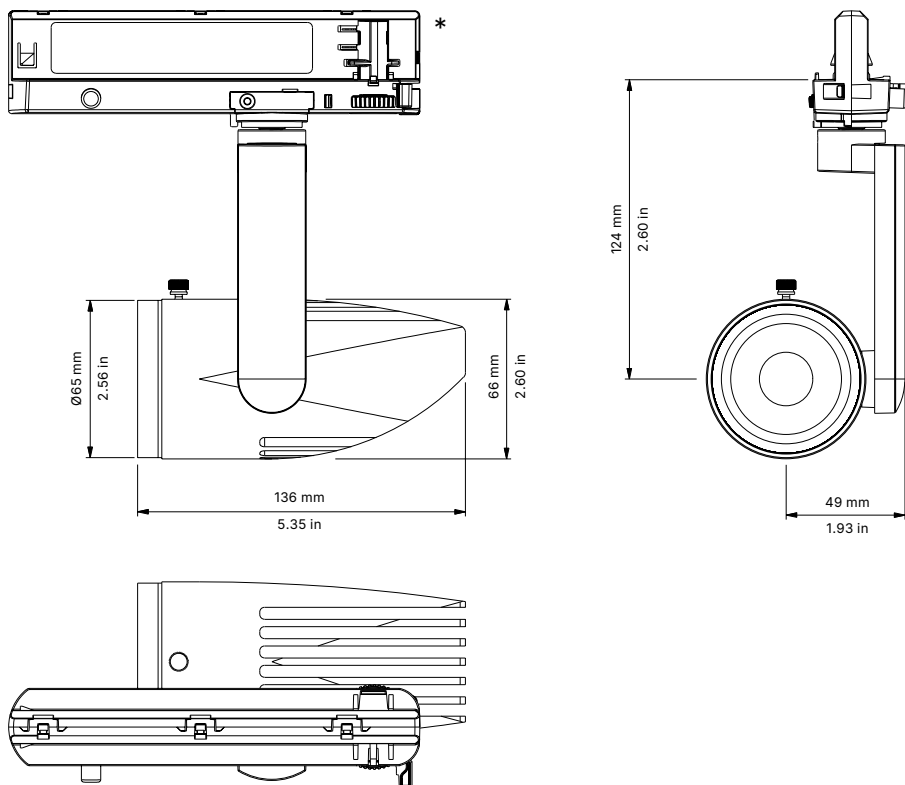
| Manufacturer | Type | Model | System |
|------------------|------------------------|----------------------------|---------|
| Eutrac | Surface Track | 25-x0 x= 1, 2, 3, 4 | 3-phase |
| Ivela | 3-phase LKM | 7501-x0 x= 1, 2, 3, 4 | 3-phase |
| Nordic Aluminium | Global Track Pro | XTS 4x000 x= 1, 2, 3, 4 | 3-phase |
| Powergear | 3 Circuit Track system | PRO-04x0 x= 1, 2, 3 | 3-phase |

* On/Off, On board potentiometer, Bluetooth App versions products can also be switched on and powered by the tracks indicated in table A, but obviously they cannot be controlled or dimmed via a control signal

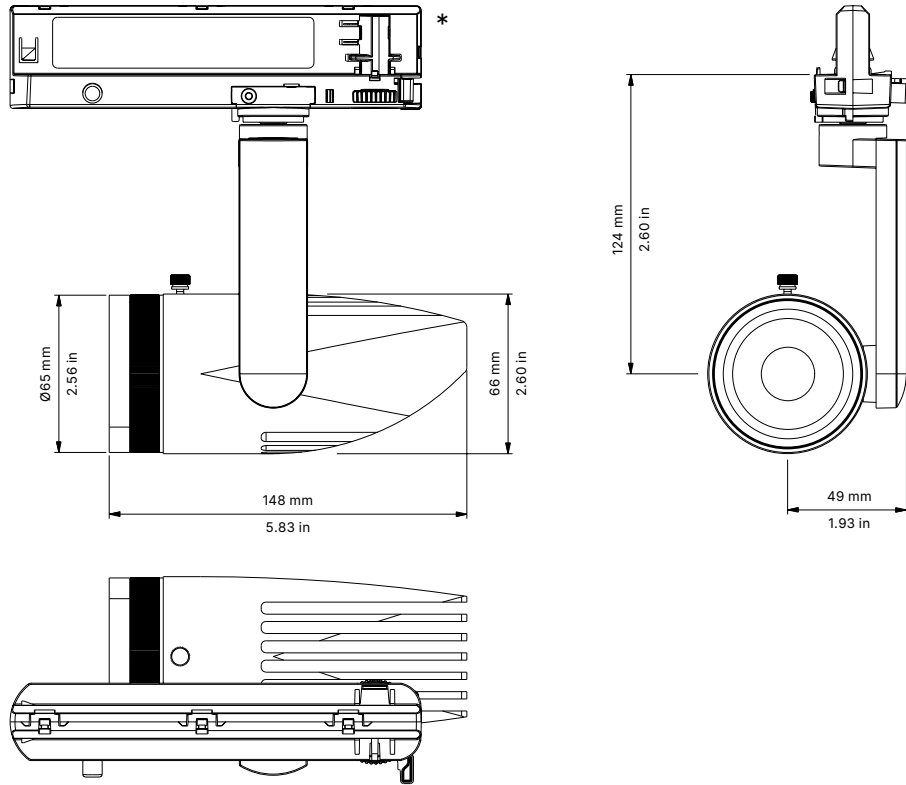
Profile Optic version



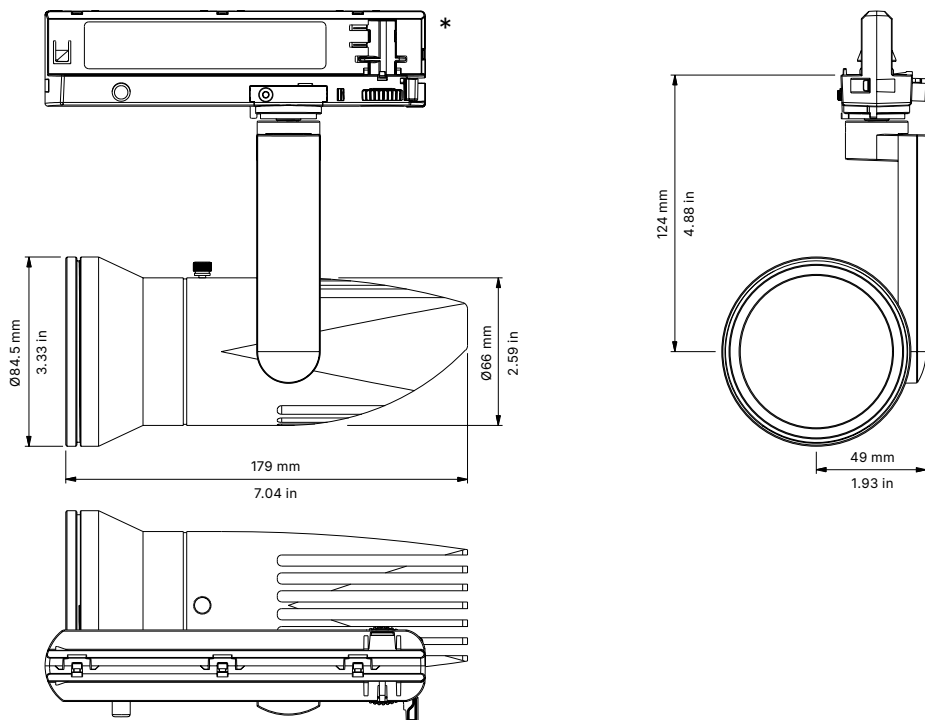
Fixed Optic version



Wash Zoom Optic version



5° Wash Optic version



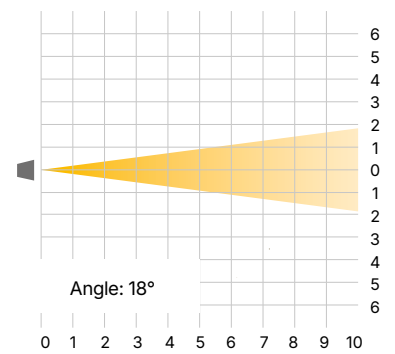
(*) Track adapter imagine and dimensions can change depending of control typology requested

iMagine 3.000 K

Measurements taken at 1.20 mt

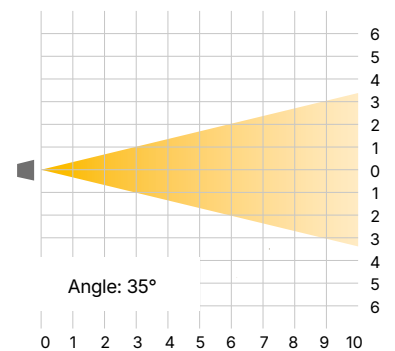
Profile Zoom 18°-35° - Minimum Zoom

| Distance (m) | 1 | 2 | 3 | 4 | 5 | 6 | 7 | 8 | 9 | 10 |
|--------------|------|------|------|------|------|------|------|------|------|------|
| lux | 6216 | 1554 | 690 | 388 | 248 | 172 | 126 | 97 | 76 | 62 |
| Ø (m) | 0.32 | 0.63 | 0.95 | 1.27 | 1.58 | 1.60 | 2.22 | 2.53 | 2.85 | 3.17 |



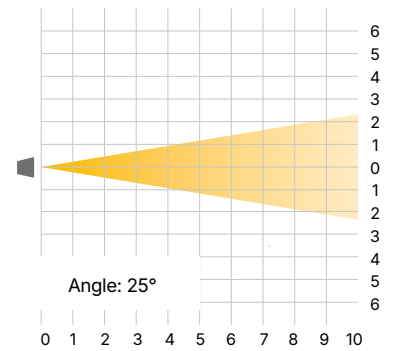
Profile Zoom 18°-35° - Maximum Zoom

| Distance (m) | 1 | 2 | 3 | 4 | 5 | 6 | 7 | 8 | 9 | 10 |
|--------------|------|------|------|------|------|------|------|------|------|------|
| lux | 2446 | 611 | 271 | 152 | 97 | 67 | 49 | 38 | 30 | 24 |
| Ø (m) | 0.63 | 1.26 | 1.89 | 2.52 | 3.15 | 3.78 | 4.41 | 5.04 | 5.68 | 6.31 |



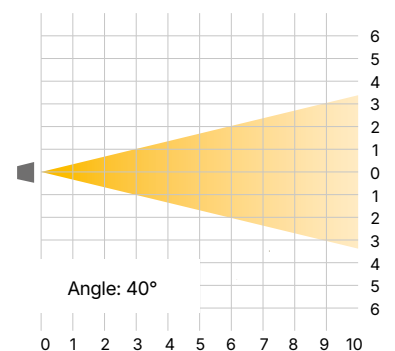
Profile Zoom 25°-40° - Minimum Zoom

| Distance (m) | 1 | 2 | 3 | 4 | 5 | 6 | 7 | 8 | 9 | 10 |
|--------------|------|------|------|------|------|------|------|------|------|------|
| lux | 4011 | 1002 | 445 | 250 | 160 | 111 | 81 | 62 | 49 | 40 |
| Ø (m) | 0.44 | 0.89 | 1.33 | 1.77 | 2.22 | 2.66 | 3.10 | 3.55 | 3.99 | 4.43 |



Profile Zoom 25°-40° - Maximum Zoom

| Distance (m) | 1 | 2 | 3 | 4 | 5 | 6 | 7 | 8 | 9 | 10 |
|--------------|------|------|------|------|------|------|------|------|------|------|
| lux | 2142 | 535 | 238 | 133 | 85 | 59 | 43 | 33 | 26 | 21 |
| Ø (m) | 0.73 | 1.46 | 2.18 | 2.91 | 3.64 | 4.37 | 5.10 | 5.82 | 6.55 | 7.28 |

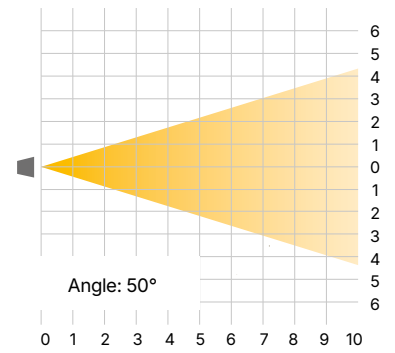


iMagine 3.000 K

Measurements taken at 1.20 mt

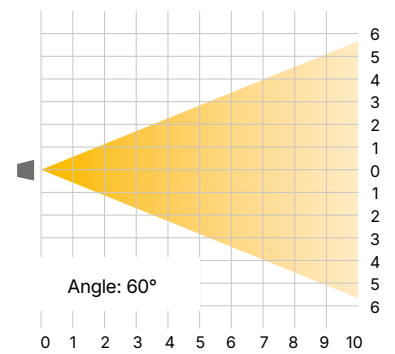
Profile Zoom 50°-60° - Minimum Zoom

| Distance (m) | 1 | 2 | 3 | 4 | 5 | 6 | 7 | 8 | 9 | 10 |
|--------------|------|------|------|------|------|------|------|------|------|------|
| lux | 777 | 194 | 86 | 48 | 31 | 21 | 15 | 12 | 9 | 7 |
| ∅ (m) | 0.93 | 1.87 | 2.80 | 3.73 | 4.66 | 5.60 | 6.53 | 7.46 | 8.39 | 9.33 |



Profile Zoom 50°-60° - Maximum Zoom

| Distance (m) | 1 | 2 | 3 | 4 | 5 | 6 | 7 | 8 | 9 | 10 |
|--------------|------|------|------|------|------|------|------|------|-------|-------|
| lux | 532 | 133 | 59 | 33 | 21 | 14 | 10 | 8 | 6 | 5 |
| ∅ (m) | 1.15 | 2.31 | 3.46 | 4.62 | 5.77 | 6.93 | 8.08 | 9.24 | 10.39 | 11.55 |

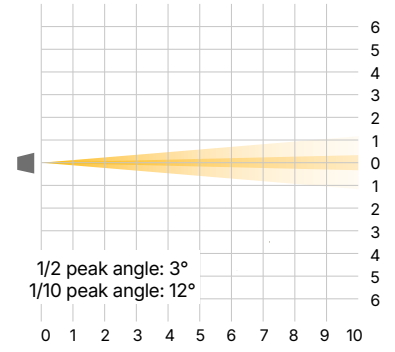


iMagine 3.000 K

Measurements taken at 1.2 mt

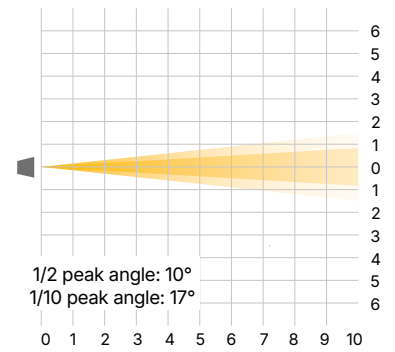
Wash 5°

| Distance (m) | 1 | 2 | 3 | 4 | 5 | 6 | 7 | 8 | 9 | 10 |
|--------------------|-------|------|------|------|------|------|------|------|------|------|
| lux | 17420 | 4355 | 1935 | 1088 | 696 | 483 | 355 | 272 | 215 | 174 |
| 1/2 P.A 3° Ø (m) | 0.05 | 0.10 | 0.16 | 0.21 | 0.26 | 0.31 | 0.37 | 4.42 | 0.47 | 0.52 |
| 1/10 P.A 12° Ø (m) | 0.21 | 0.42 | 0.63 | 0.84 | 1.05 | 1.26 | 1.47 | 1.68 | 1.89 | 2.10 |



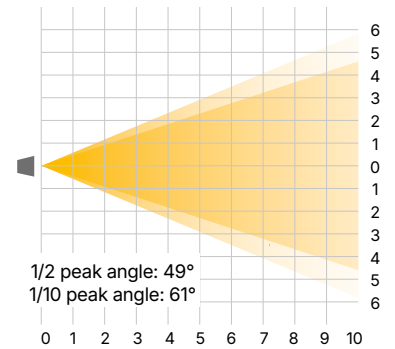
Wash Zoom 10°-50° - Minimum Zoom

| Distance (m) | 1 | 2 | 3 | 4 | 5 | 6 | 7 | 8 | 9 | 10 |
|--------------------|-------|------|------|------|------|------|------|------|------|------|
| lux | 19706 | 4926 | 2189 | 1231 | 788 | 547 | 402 | 307 | 243 | 197 |
| 1/2 P.A 10° Ø (m) | 0.17 | 0.35 | 0.52 | 0.70 | 0.87 | 1.05 | 1.22 | 1.40 | 1.57 | 1.75 |
| 1/10 P.A 17° Ø (m) | 0.30 | 0.60 | 0.90 | 1.20 | 1.49 | 1.79 | 2.09 | 2.39 | 2.69 | 2.99 |



Wash Zoom 10°-50° - Maximum Zoom

| Distance (m) | 1 | 2 | 3 | 4 | 5 | 6 | 7 | 8 | 9 | 10 |
|--------------------|------|------|------|------|------|------|------|------|-------|-------|
| lux | 1924 | 481 | 213 | 120 | 76 | 53 | 39 | 30 | 23 | 19 |
| 1/2 P.A 49° Ø (m) | 0.91 | 1.82 | 2.73 | 3.65 | 4.56 | 5.47 | 6.38 | 7.29 | 8.20 | 9.11 |
| 1/10 P.A 61° Ø (m) | 1.18 | 2.36 | 3.53 | 4.71 | 5.89 | 7.07 | 8.25 | 9.42 | 10.60 | 11.78 |

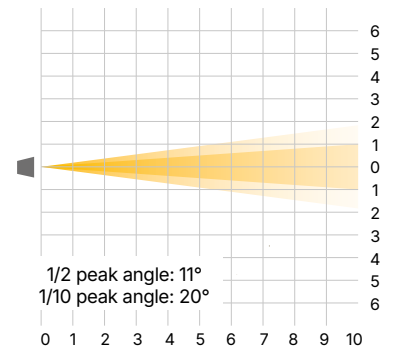


iMagine 3.000 K

Measurements taken at 1.2 mt

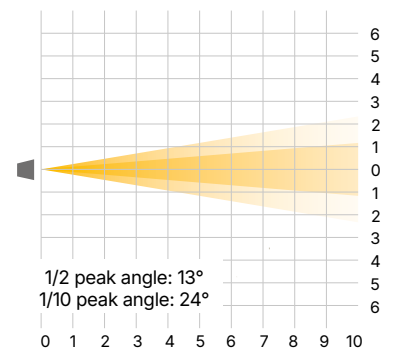
Fixed lens 10°

| Distance (m) | 1 | 2 | 3 | 4 | 5 | 6 | 7 | 8 | 9 | 10 |
|--------------------|-------|------|------|------|------|------|------|------|------|------|
| lux | 22204 | 5551 | 2467 | 1387 | 888 | 616 | 453 | 346 | 274 | 222 |
| 1/2 P.A 11° Ø (m) | 0.19 | 0.39 | 0.58 | 0.77 | 0.96 | 1.16 | 1.35 | 1.54 | 1.73 | 1.93 |
| 1/10 P.A 22° Ø (m) | 0.35 | 0.71 | 1.06 | 1.41 | 1.76 | 2.12 | 2.47 | 2.82 | 3.17 | 3.53 |



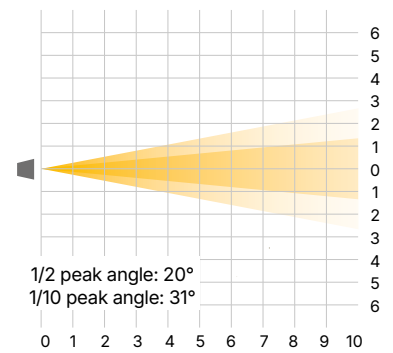
Fixed lens 15°

| Distance (m) | 1 | 2 | 3 | 4 | 5 | 6 | 7 | 8 | 9 | 10 |
|--------------------|-------|------|------|------|------|------|------|------|------|------|
| lux | 17356 | 4339 | 1928 | 1084 | 694 | 482 | 354 | 271 | 214 | 173 |
| 1/2 P.A 13° Ø (m) | 0.23 | 0.46 | 0.68 | 0.91 | 1.14 | 1.37 | 1.60 | 1.52 | 2.05 | 2.28 |
| 1/10 P.A 24° Ø (m) | 0.43 | 0.85 | 1.28 | 1.70 | 2.13 | 2.55 | 2.98 | 3.40 | 3.83 | 4.25 |



Fixed lens 20°

| Distance (m) | 1 | 2 | 3 | 4 | 5 | 6 | 7 | 8 | 9 | 10 |
|--------------------|-------|------|------|------|------|------|------|------|------|------|
| lux | 11731 | 932 | 1303 | 733 | 469 | 325 | 239 | 183 | 144 | 117 |
| 1/2 P.A 20° Ø (m) | 0.35 | 0.71 | 1.06 | 1.41 | 1.76 | 2.12 | 2.47 | 2.82 | 3.17 | 3.53 |
| 1/10 P.A 31° Ø (m) | 0.55 | 1.11 | 1.66 | 2.22 | 2.77 | 3.33 | 3.88 | 4.44 | 4.99 | 5.55 |

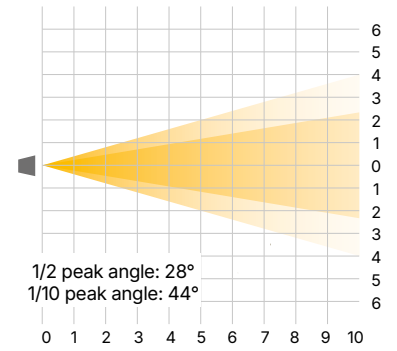


iImagine 3.000 K

Measurements taken at 1.2 mt

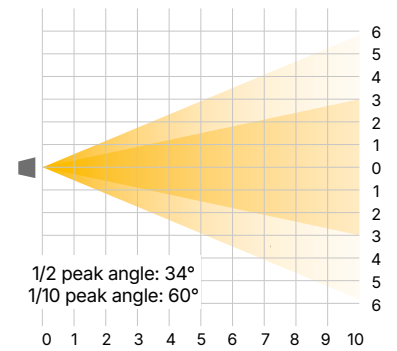
Fixed lens 30°

| Distance (m) | 1 | 2 | 3 | 4 | 5 | 6 | 7 | 8 | 9 | 10 |
|--------------------|------|------|------|------|------|------|------|------|------|------|
| lux | 5824 | 1456 | 647 | 364 | 232 | 161 | 118 | 91 | 71 | 58 |
| 1/2 P.A 28° Ø (m) | 0.50 | 1.00 | 1.50 | 1.99 | 2.49 | 2.99 | 3.49 | 3.99 | 4.49 | 4.99 |
| 1/10 P.A 44° Ø (m) | 0.81 | 1.62 | 2.42 | 3.23 | 4.04 | 4.85 | 5.66 | 6.46 | 7.27 | 8.08 |



Fixed lens 40°

| Distance (m) | 1 | 2 | 3 | 4 | 5 | 6 | 7 | 8 | 9 | 10 |
|--------------------|------|------|------|------|------|------|------|------|-------|-------|
| lux | 3277 | 819 | 364 | 204 | 131 | 91 | 66 | 51 | 40 | 32 |
| 1/2 P.A 34° Ø (m) | 0.61 | 1.22 | 1.83 | 2.45 | 3.06 | 3.67 | 4.28 | 4.89 | 5.50 | 6.11 |
| 1/10 P.A 60° Ø (m) | 1.15 | 2.31 | 3.46 | 4.62 | 5.77 | 6.93 | 8.08 | 9.24 | 10.39 | 11.55 |



● Coemar Lighting S.r.l.

Via Carpenedolo, 90
46043, Castiglione delle Stiviere (MN) – Italy

P. +39 0376 1514412
M1. info@coemar.com
M2. service@coemar.com
W. coemar.com

P.iva – C.f. 02415330204



Coemar reserves the right to change specifications without prior notice.

Last Update: 26 February 2025 - vrs. 1.4