



# LEDko SHHH

Last update:  
25/11/2024



LEDko SHHH with Front Barrel and Lens Tube

#### Introducing

● Designed with new electronics and OLED display, this product, a variant of the LEDko, has as its main feature the absence of the fan into the LED engine. It allows you to have all the functions of the LEDko but at the same time turns out to be a very silent product, suitable for any type of installation even where maximum silence and respect is required.

#### Key Features

- Fanless LED engine
- **T/D version:** Tungsten or Daylight COB LED
- **VW version:** VariWhite COB LED
- **FS version:** Red, Green, Blue, Cyan, Lime, Amber light source, 20 bit color mixing (Color mixing with hue and saturation control and Green-Magenta adjustment)
- CRI > 95
- **T/D version:** 3.200 K or 5.600 K
- **VW version:** from 2.700 K to 6.500 K
- **FS version:** from 2.700 K to 10.000 K (through DMX Chart) or up to 20.000 K (through Display)
- LED profile spot
- High Lumen flux and flat field
- Swappable lens tube between 5°-90°
- Soft profiling thanks to Fresnel and PC optics (Coemar patent)
- Four blade framing system, each shutter blade is adjustable for radial position and angle
- Custom color on request (optional)
- Manual Yoke
- European Conformity certification

General	
● LED Source	<b>T/D version:</b> Tungsten or Daylight COB LED <b>VW version:</b> VariWhite COB LED <b>FS version:</b> RGBCLA COB LED (Red, Green, Blue, Cyan, Lime, Amber) - Color mixing with hue and saturation control
● CCT Range	<b>T/D version:</b> ● 3.200 K (T) or ● 5.600 K (D) <b>VW version:</b> ● ● ● ● 2.700 K → 6.500 K <b>FS version:</b> ● ● ● ● 2.700 K → 20.000 K
● Color Rendition Average	CRI > 95, TLCI > 95
● Green-Magenta adjustment	Continuously adjustable from full minus-green to full plus-green
● Dimming	8 or 16 bit, 6 selectable curves: Exponential, Logarithmic, Linear, Halo, Standard and S
● Dimming Smooth Selection	Fast, Slow and Very Slow
● Strobe	Synchronized, random or pulse electronic strobe
● Available Optics	Swappable lens tubes between 5°-90°
● Camera flicker control/Hz range	<b>T/D version:</b> 600 → 20.000 Hz <b>VW &amp; FS version:</b> 20.000 Hz
● Calibrated Cob	Yes
● L80 Rating (hours to 80% output)	50.000 Hours
● Pattern projection	Yes
● Pattern size	A or B
Electrical	
● Voltage Input	85-264 V, 50/60 Hz, auto-sensing
● Power Consumption	<b>T/D version:</b> 200 W Maximum - 0.92 A at 230, 1.83 A at 115V - cosφ 0.95 <b>VW version:</b> 220 W Maximum - 0.97 A at 230 V, 1.95 A at 115 V - cosφ: 0.98 <b>FS version:</b> 220 W Maximum - 1.06 A at 230 V, 2.13 A at 115 V - cosφ: 0.9
● Power Connection	In and Out PowerCON TRUE1 Top connectors, 1.5 m (4.9 ft) PowerCon cable without power plug
● Data Connection	In and Out DMX 5 pin locking XLR connectors
Thermal	
● Ambient Operating Temperature	0°C - +40°C (32°F - 104°F)
● Cooling	Fanless LED engine
Control	
● Protocols	DMX-512, RDM (Remote Device Management), Wireless (optional by LumenRadio)
● RDM Configuration	Yes
● DMX Channels	<b>T/D version:</b> 5 / 1 <b>VW version:</b> 5 / 2 / 1 / Sunrise / Raw / MK1 / 6 Channels <b>FS version:</b> 16 / 7 / 1 / Studio / RGB / Fine RGB / Sunrise Mode
● Display	Graphic OLED
● Firmware Upgrade	Through DMX with RDM Upgrade USB interface (code AC10011A001)
Physical	
● Mounting	Manual yoke
● Materials	Aluminum body
● Framing System	Four stainless steel shutter blades in a two-plane assembly, 0.40mm (AISI 316), each shutter blade is adjustable for radial position and angle
● Weight	12 Kg (26.45 lbs)
● IP Rating	IP20
● Color Options	Black (standard), custom color on request (optional)
Included accessories	
GKIT17 (USA) / GKIT16 (EU)	1.5 m power cable with PowerCON TRUE1 Top without power plug
BC10011A106	Metal Gobo Holder

Optics

BC10011A017	Profile Zoom 15°-35°
BC10011A019	Profile Zoom 25°-50°
BC10011A003	Profile Zoom 28°-40°
BC10011A002	Soft Profile Fresnel Zoom 14°-40°
BC10011A001	Soft Profile PC Zoom 11°-38°
BC10011A000	Front Barrel with Burnished Blades
BC10011A041	Lens Tube Profile 5°
BC10011A042	Lens Tube Profile 10°
BC10011A023	Lens Tube Profile 14°
BC10011A012	Lens Tube Profile 19°
BC10011A013	Lens Tube Profile 26°
BC10011A015	Lens Tube Profile 36°
BC10011A016	Lens Tube Profile 50°
BC10011A024	Lens Tube Profile 70°
BC10011A025	Lens Tube Profile 90°

General accessories

BC10034A003	4-Leaf Barndoor for Zoom Fresnel optic
BC10011A006	Magnetic Gobo Holder
BC10011A106	Metal Gobo Holder
BC10011A030	Gobo Holder for Glass Gobo
BC10011A010	Iris
BC10011A049	Gobo Holder for Iris Slot

Accessories for Profile Zoom

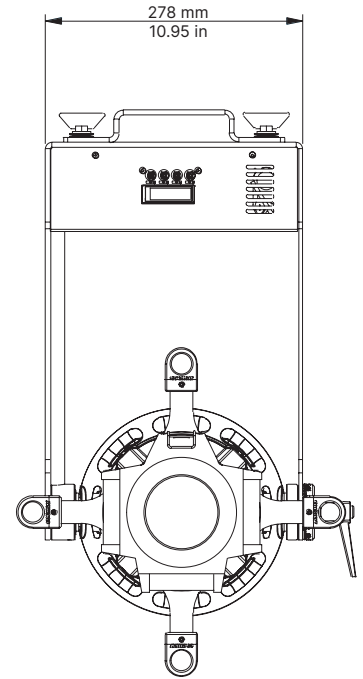
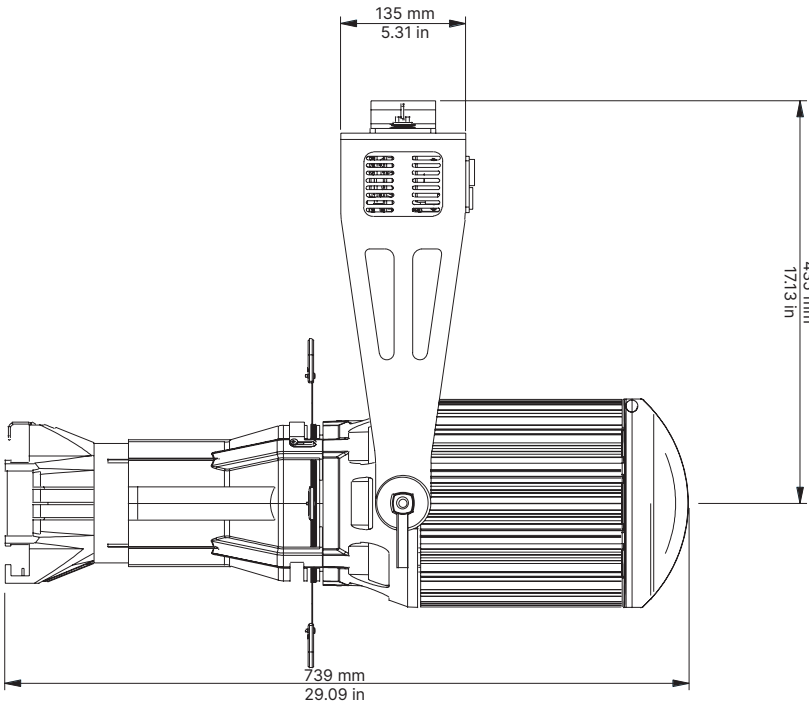
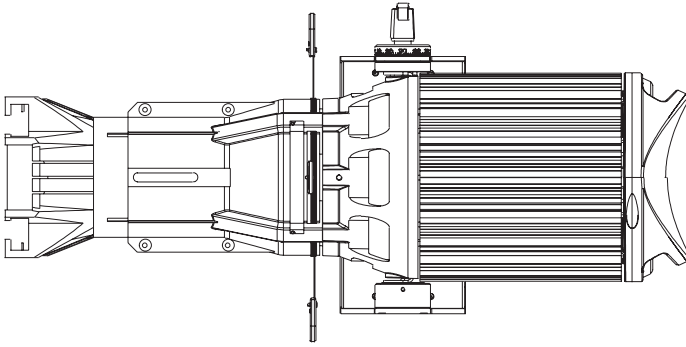
BC10011A028	Donut (190.5 mm)
BC10011A027	Half Top Hat (190.5 mm)
BC10011A029	Top Hat (190.5 mm)
BC10011A040	Color Frame Holder (190.5 mm)

Accessories for Soft Profile Zoom

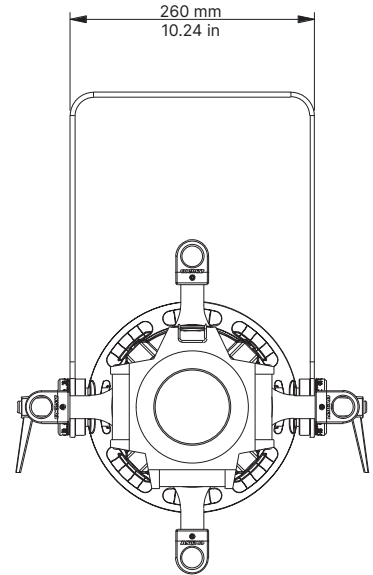
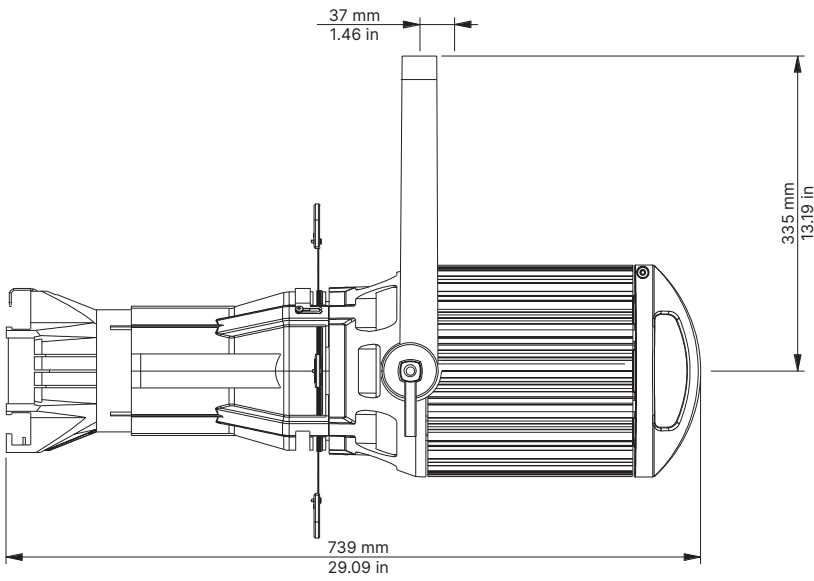
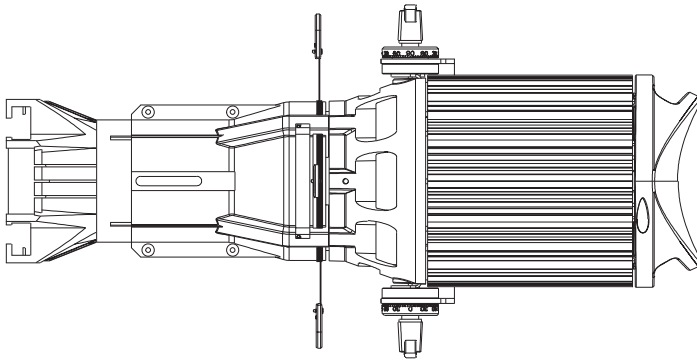
BC10011A036	Donut (185 mm)
BC10011A035	Half Top Hat (185 mm)
BC10011A037	Top Hat (185 mm)
ACO4204	Color Frame Holder (185 mm)

Accessories for Lens Tube

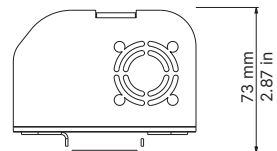
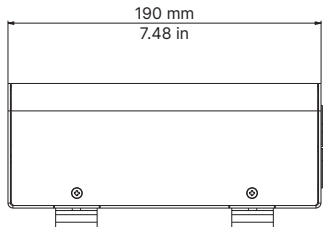
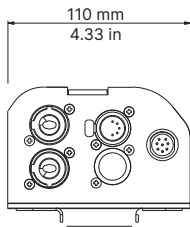
BC10011A032	Donut (159 mm)
BC10011A031	Half Top Hat (159 mm)
BC10011A033	Top Hat (159 mm)
BC10011A021	Color Frame Holder (159 mm)

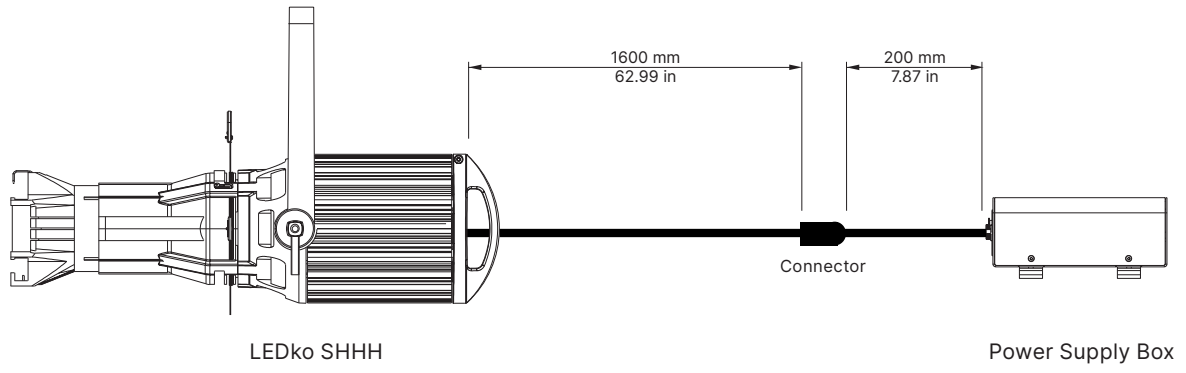


Drawing Size - Remote Power Supply Box



Drawing Size - Power Supply Box







Theatre - Elbphilharmonie Und Laeiszhalle, Hamburg - Germany

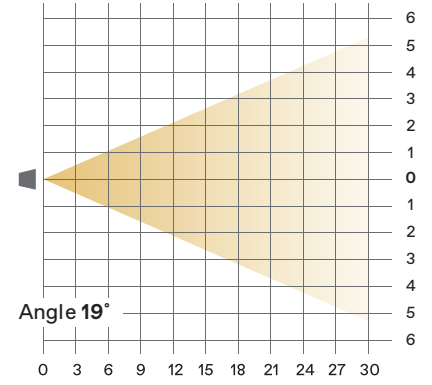
Product	LEDko SHHH T Studio
CCT	3.200 K
CRI	> 95



## LEDko SHHH T Studio (CRI > 95) - Lens Tubes

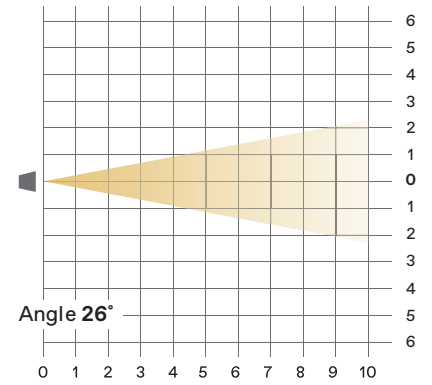
### Optic: Lens Tube 19°

<b>Distance(m)</b>	3	6	9	12	15	18	21	24	27	30	
<b>lux</b>	<b>3.200K</b>	19.040	4760	2116	1190	762	529	389	298	235	190
<b>Diameter Ø (m)</b>	1,00	2,01	3,01	4,02	5,02	6,02	7,03	8,03	9,04	10,04	
<b>lux</b>	<b>3.200K</b>	CRI 97.2	TLCI 98								



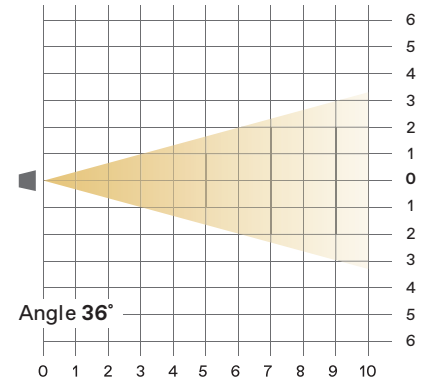
### Optic: Lens Tube 26°

<b>Distance(m)</b>	1	2	3	4	5	6	7	8	9	10	
<b>lux</b>	<b>3.200K</b>	92.520	23.130	10.280	5.783	3.701	2.570	1.888	1.446	1.142	925
<b>Diameter Ø (m)</b>	0,46	0,92	1,39	1,85	2,31	2,77	3,23	3,69	4,16	4,62	
<b>lux</b>	<b>3.200K</b>	CRI 97.2	TLCI 97								



### Optic: Lens Tube 36°

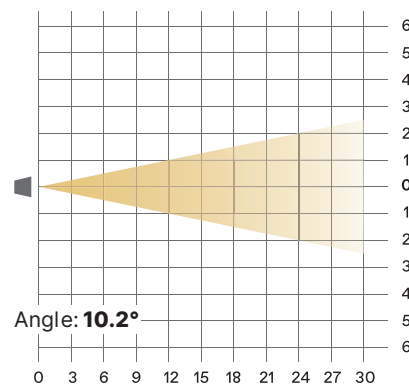
<b>Distance(m)</b>	1	2	3	4	5	6	7	8	9	10	
<b>lux</b>	<b>3.200K</b>	46.800	11.700	5.200	2.925	1.872	1.300	955	731	578	468
<b>Diameter Ø (m)</b>	0,65	1,30	1,95	2,60	3,25	3,90	4,55	5,20	5,85	6,50	
<b>lux</b>	<b>3.200K</b>	CRI 97.2	TLCI 98								



### LEDko SHHH VariWhite - Lens Tubes

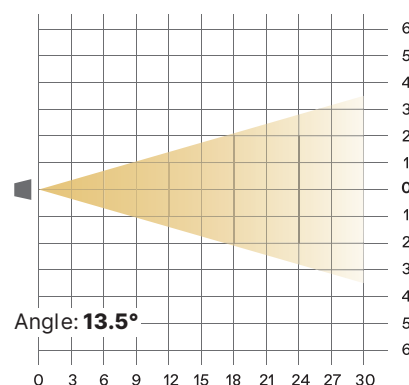
#### Optic: Lens Tube Profile 10°

Distance(m)	3	6	9	12	15	18	21	24	27	30	
lux	<b>3.200K</b>	67.816	16.954	7.535	4.239	2.713	1.884	1.384	1.060	837	678
	<b>5.600K</b>	80.545	20.136	8.949	5.034	3.222	2.237	1.644	1.259	994	805
Diameter Ø (m)	0,54	1,07	1,61	2,14	2,68	3,21	3,75	4,28	4,82	5,35	
lux	<b>3.200K</b>	CRI96.5	TLCI 98.3								
	<b>5.600K</b>	CRI96.8	TLCI 97.8								



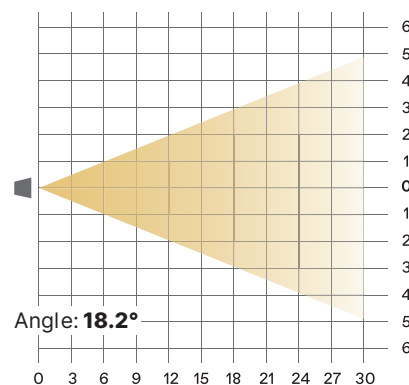
#### Optic: Lens Tube Profile 14°

Distance(m)	3	6	9	12	15	18	21	24	27	30	
lux	<b>3.200K</b>	35.362	8.840	3.929	2.210	1.414	982	722	553	437	354
	<b>5.600K</b>	41.236	10.309	4.582	2.577	1.649	1.145	842	644	509	412
Diameter Ø (m)	0,71	1,42	2,13	2,84	3,55	4,26	4,97	5,68	6,39	7,10	
lux	<b>3.200K</b>	CRI96.6	TLCI 98.1								
	<b>5.600K</b>	CRI96.8	TLCI 97.9								



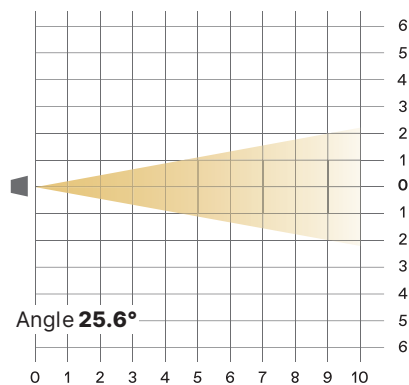
#### Optic: Lens Tube Profile 19°

Distance(m)	3	6	9	12	15	18	21	24	27	30	
lux	<b>3.200K</b>	19.801	4.950	2.200	1.238	792	550	404	309	244	198
	<b>5.600K</b>	23.972	5.993	2.664	1.498	959	666	489	375	296	240
Diameter Ø (m)	0,96	1,92	2,88	3,84	4,81	5,77	6,73	7,69	8,65	9,61	
lux	<b>3.200K</b>	CRI96.5	TLCI 98.1								
	<b>5.600K</b>	CRI96.6	TLCI 97.9								



#### Optic: Lens Tube Profile 26°

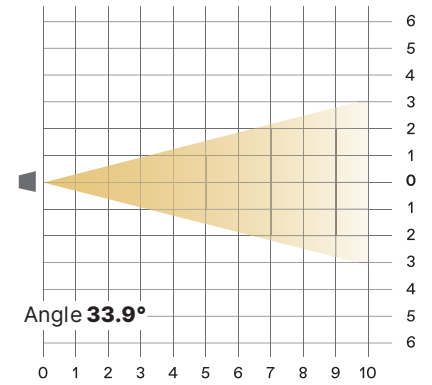
Distance(m)	1	2	3	4	5	6	7	8	9	10	
lux	<b>3.200K</b>	86485	21621	9609	5405	3459	2402	1765	1351	1068	865
	<b>5.600K</b>	115003	28751	12778	7188	4600	3195	2347	1797	1420	1150
Diameter Ø (m)	0,45	0,91	1,36	1,82	2,27	2,73	3,18	3,63	4,09	4,54	
lux	<b>3.200K</b>	CRI96.1	TLCI 98.2								
	<b>5.600K</b>	CRI96.6	TLCI 97.9								



## LEDko SHHH VariWhite - Lens Tubes

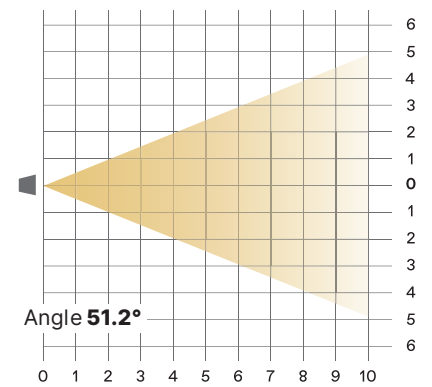
### Optic: Lens Tube Profile 36°

Distance(m)	1	2	3	4	5	6	7	8	9	10	
lux	<b>3.200K</b>	49.147	12.287	5.461	3.072	1.966	1.365	1.003	768	607	491
	<b>5.600K</b>	59.927	14.982	6.659	3.745	2.397	1.665	1.223	936	740	599
Diameter Ø (m)	0,61	1,22	1,83	2,44	3,05	3,66	4,27	4,88	5,49	6,10	
lux	<b>3.200K</b>	CRI96.2	TLCI 98.1								
	<b>5.600K</b>	CRI96.7	TLCI 97.9								



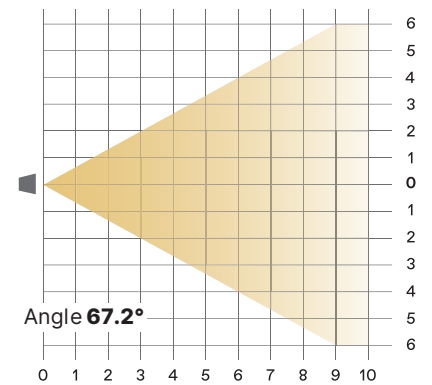
### Optic: Lens Tube Profile 50°

Distance(m)	1	2	3	4	5	6	7	8	9	10	
lux	<b>3.200K</b>	28.665	7.166	3.185	1.792	1.147	796	585	448	354	287
	<b>5.600K</b>	34.741	8.685	3.860	2.171	1.390	965	709	543	429	347
Diameter Ø (m)	0,96	1,92	2,87	3,83	4,79	5,75	6,71	7,67	8,62	9,58	
lux	<b>3.200K</b>	CRI96.4	TLCI 98.1								
	<b>5.600K</b>	CRI96.7	TLCI 97.9								



### Optic: Lens Tube Profile 70°

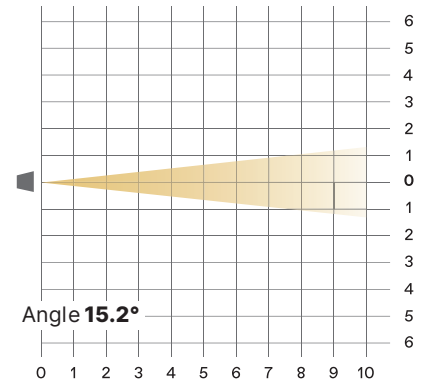
Distance(m)	1	2	3	4	5	6	7	8	9	10	
lux	<b>3.200K</b>	14.342	3.586	1.594	896	574	398	293	224	177	143
	<b>5.600K</b>	18.855	4.714	2.095	1.178	754	524	385	295	233	189
Diameter Ø (m)	1,33	2,66	3,99	5,32	6,64	7,97	9,30	10,63	11,96	13,29	
lux	<b>3.200K</b>	CRI96.4	TLCI 98.2								
	<b>5.600K</b>	CRI96.8	TLCI 97.9								



### LEDko SHHH VariWhite - Profile Zoom 15°-35°

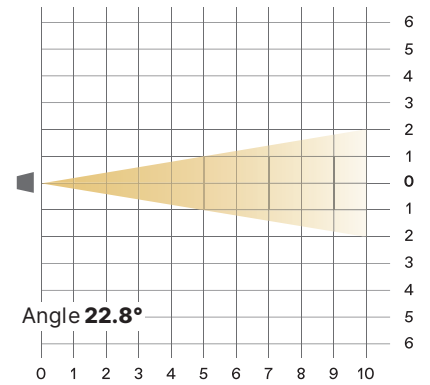
#### Optic: Zoom Minimum

Distance(m)	1	2	3	4	5	6	7	8	9	10	
lux	<b>3.200K</b>	236.229	59.057	26.248	14.764	9.449	6.562	4.821	3.691	2.916	2.362
	<b>5.600K</b>	287.385	71.846	31.932	17.962	11.495	7.983	5.865	4.490	3.548	2.874
Diameter Ø (m)	0,27	0,53	0,80	1,07	1,33	1,60	1,87	2,13	2,40	2,67	
lux	<b>3.200K</b>	CRI96.4	TLCI 98.1								
	<b>5.600K</b>	CRI96.5	TLCI 97.8								



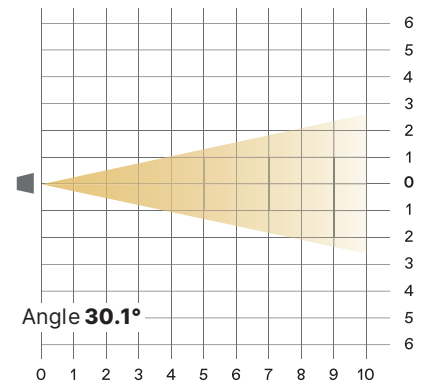
#### Optic: Zoom Medium

Distance(m)	1	2	3	4	5	6	7	8	9	10	
lux	<b>3.200K</b>	113.386	28.347	12.598	1.087	4.535	3.150	2.314	1.772	1.400	1.134
	<b>5.600K</b>	125.979	31.495	13.998	7.874	5.039	3.499	2.571	1.968	1.555	1.260
Diameter Ø (m)	0,40	0,81	1,21	1,61	2,02	2,42	2,82	3,23	3,63	4,03	
lux	<b>3.200K</b>	CRI96.4	TLCI 98.2								
	<b>5.600K</b>	CRI96.8	TLCI 97.6								



#### Optic: Zoom Maximum

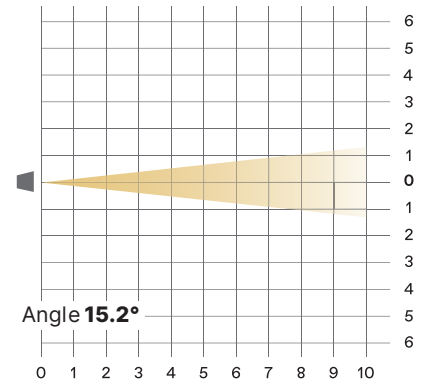
Distance(m)	1	2	3	4	5	6	7	8	9	10	
lux	<b>3.200K</b>	72.177	18.044	8.020	4.511	2.887	2.005	1.473	1.128	891	722
	<b>5.600K</b>	87.514	21.879	9.724	5.470	3.501	2.431	1.786	1.367	1.080	875
Diameter Ø (m)	0,54	1,08	1,61	2,15	2,69	3,23	3,76	4,30	4,84	5,38	
lux	<b>3.200K</b>	CRI96.3	TLCI 98.1								
	<b>5.600K</b>	CRI96.7	TLCI 97.8								



### LEDko SHHH VariWhite - Profile Zoom 15°-35°

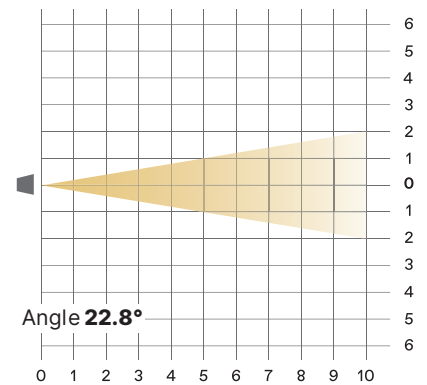
#### Optic: Zoom Minimum

Distance(m)	1	2	3	4	5	6	7	8	9	10	
lux	<b>3.200K</b>	236.229	59.057	26.248	14.764	9.449	6.562	4.821	3.691	2.916	2.362
	<b>5.600K</b>	287.385	71.846	31.932	17.962	11.495	7.983	5.865	4.490	3.548	2.874
Diameter Ø (m)	0,27	0,53	0,80	1,07	1,33	1,60	1,87	2,13	2,40	2,67	
lux	<b>3.200K</b>	CRI96.4	TLCI 98.1								
	<b>5.600K</b>	CRI96.5	TLCI 97.8								



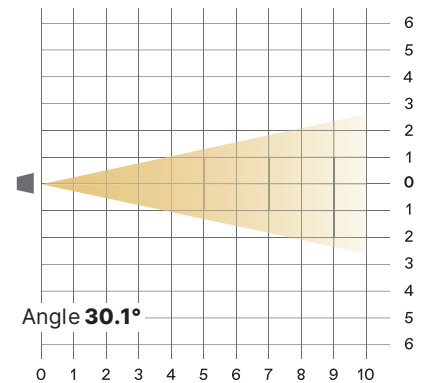
#### Optic: Zoom Medium

Distance(m)	1	2	3	4	5	6	7	8	9	10	
lux	<b>3.200K</b>	113.386	28.347	12.598	1.087	4.535	3.150	2.314	1.772	1.400	1.134
	<b>5.600K</b>	125.979	31.495	13.998	7.874	5.039	3.499	2.571	1.968	1.555	1.260
Diameter Ø (m)	0,40	0,81	1,21	1,61	2,02	2,42	2,82	3,23	3,63	4,03	
lux	<b>3.200K</b>	CRI96.4	TLCI 98.2								
	<b>5.600K</b>	CRI96.8	TLCI 97.6								



#### Optic: Zoom Maximum

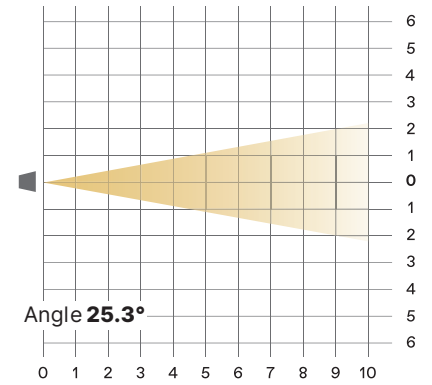
Distance(m)	1	2	3	4	5	6	7	8	9	10	
lux	<b>3.200K</b>	72.177	18.044	8.020	4.511	2.887	2.005	1.473	1.128	891	722
	<b>5.600K</b>	87.514	21.879	9.724	5.470	3.501	2.431	1.786	1.367	1.080	875
Diameter Ø (m)	0,54	1,08	1,61	2,15	2,69	3,23	3,76	4,30	4,84	5,38	
lux	<b>3.200K</b>	CRI96.3	TLCI 98.1								
	<b>5.600K</b>	CRI96.7	TLCI 97.8								



## LEDko SHHH VariWhite - Profile Zoom 28°-40°

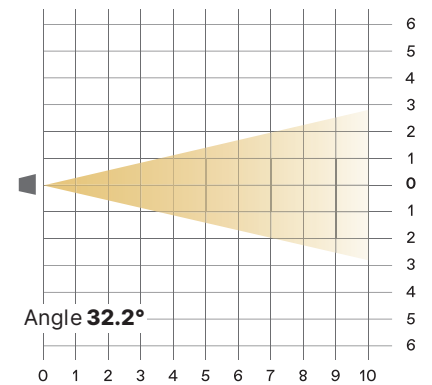
### Optic: Zoom Minimum

Distance(m)	1	2	3	4	5	6	7	8	9	10	
lux	<b>3.200K</b>	95.403	23.851	10.600	5.963	3.816	2.650	1.947	1.491	1.178	954
	<b>5.600K</b>	115.493	28.873	12.833	7.218	4.620	3.208	2.357	1.805	1.426	1.155
Diameter Ø (m)	0,45	0,90	1,35	1,80	2,24	2,69	3,14	3,59	4,04	4,49	
lux	<b>3.200K</b>	CRI96.5	TLCI 98.3								
	<b>5.600K</b>	CRI96.9	TLCI 97.9								



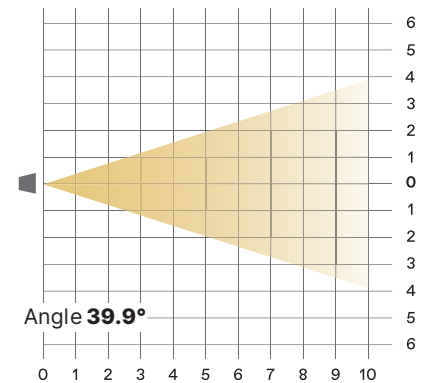
### Optic: Zoom Medium

Distance(m)	1	2	3	4	5	6	7	8	9	10	
lux	<b>3.200K</b>	63.161	15.790	7.018	3.948	2.526	1.754	1.289	987	780	632
	<b>5.600K</b>	77.028	19.257	8.559	4.814	3.081	2.140	1.572	1.204	951	770
Diameter Ø (m)	0,58	1,15	1,73	2,31	2,89	3,46	4,04	4,62	5,20	5,77	
lux	<b>3.200K</b>	CRI96.4	TLCI 98.2								
	<b>5.600K</b>	CRI96.8	TLCI 97.9								



### Optic: Zoom Maximum

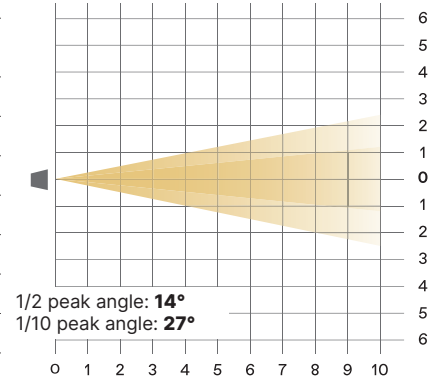
Distance(m)	1	2	3	4	5	6	7	8	9	10	
lux	<b>3.200K</b>	42287	10572	4699	2643	1691	1175	863	661	522	423
	<b>5.600K</b>	50911	12728	5657	3182	2036	1414	1039	795	628	509
Diameter Ø (m)	0,71	1,41	2,12	2,83	3,53	4,24	4,94	5,65	6,36	7,04	
lux	<b>3.200K</b>	CRI96.4	TLCI 98.2								
	<b>5.600K</b>	CRI97	TLCI 97.9								



## LEDko SHHH VariWhite - Soft Profile Fresnel Zoom 14°-40°

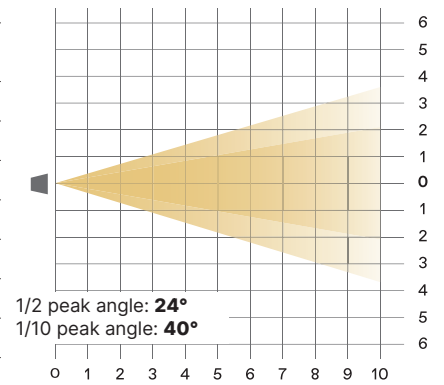
### Optic: Zoom Minimum

Distance(m)	1	2	3	4	5	6	7	8	9	10	
lux	<b>3.200K</b>	61.593	15.398	6.844	3.850	2.464	1.711	1.257	962	760	616
	<b>5.600K</b>	74.284	18.571	8.254	4.643	2.971	2.063	1.516	1.161	917	743
<b>1/2 P.A 14° Ø (m)</b>	0,25	0,49	0,74	0,98	1,23	1,47	1,72	1,96	2,21	2,46	
<b>1/10 P.A 27° Ø (m)</b>	0,48	0,96	1,44	1,92	2,40	2,88	3,36	3,84	4,32	4,80	
lux	<b>3.200K</b>	CRI96.4	TLCI 98.2								
	<b>5.600K</b>	CRI97.1	TLCI 97.7								



### Optic: Zoom Maximum

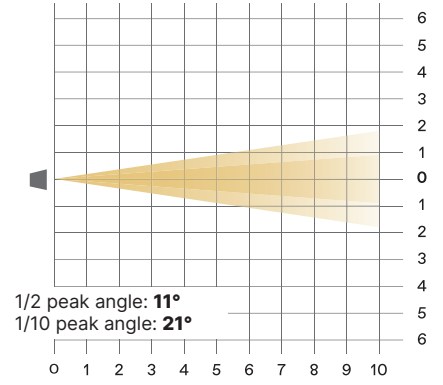
Distance(m)	1	2	3	4	5	6	7	8	9	10	
lux	<b>3.200K</b>	39.136	9.784	4.348	2.446	1.565	1.087	799	612	483	391
	<b>5.600K</b>	47.687	11.922	5.299	2.980	1.907	1.325	973	745	589	477
<b>1/2 P.A 24° Ø (m)</b>	0,43	0,85	1,28	1,70	2,13	2,55	2,98	3,40	3,83	4,25	
<b>1/10 P.A 40° Ø (m)</b>	0,73	1,46	2,18	2,91	3,64	4,37	5,10	5,82	6,55	7,28	
lux	<b>3.200K</b>	CRI96.5	TLCI 98.1								
	<b>5.600K</b>	CRI97.2	TLCI 97.8								



### LEDko SHHH VariWhite - Soft Profile PC Zoom 11°-38°

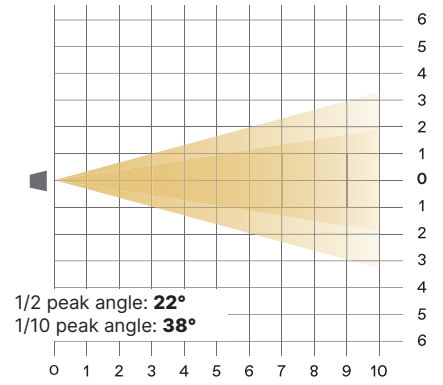
#### Optic: Zoom Minimum

Distance(m)	1	2	3	4	5	6	7	8	9	10	
lux	<b>3.200K</b>	112.651	28.163	12.517	7.041	4.506	3.129	2.299	1.760	1.391	1.127
	<b>5.600K</b>	136.269	34.067	15.141	8.517	5.451	3.785	2.781	2.129	1.682	1.363
<b>1/2 P.A 11° Ø (m)</b>	0,19	0,39	0,58	0,77	0,96	1,16	1,35	1,54	1,73	1,93	
<b>1/10 P.A 21° Ø (m)</b>	0,37	0,74	1,11	1,48	1,85	2,22	2,59	2,97	3,34	3,71	
lux	<b>3.200K</b>	CRI 96.7	TLCI 98.5								
	<b>5.600K</b>	CRI 97	TLCI 97.7								



#### Optic: Zoom Maximum

Distance(m)	1	2	3	4	5	6	7	8	9	10	
lux	<b>3.200K</b>	55027	13757	6114	3439	2201	1529	1123	860	679	550
	<b>5.600K</b>	68208	17052	7579	4263	2728	1895	1392	1066	842	682
<b>1/2 P.A 22° Ø (m)</b>	0,39	0,78	1,17	1,56	1,94	2,33	2,72	3,11	3,50	3,89	
<b>1/10 P.A 38° Ø (m)</b>	0,69	1,38	2,07	2,75	3,44	4,13	4,82	5,51	6,20	6,89	
lux	<b>3.200K</b>	CRI 97.1	TLCI 98.5								
	<b>5.600K</b>	CRI 96.6	TLCI 97.9								

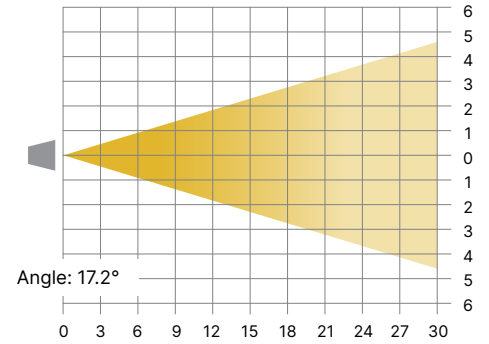




## LEDko SHHH FullSpectrum - Lens Tubes

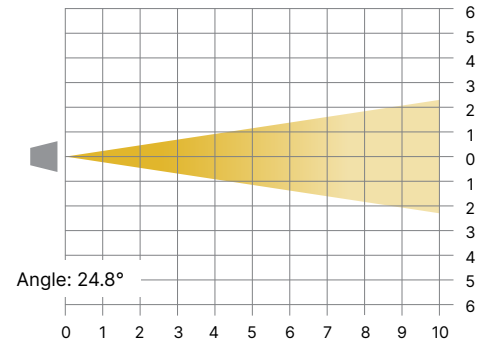
Optic: Lens Tube Profile 19°

Distance (m)		3	6	9	12	15	18	21	24	27	30
lux	RED	992	248	110	62	40	28	20	15	12	10
	GREEN	2714	678	302	170	109	75	55	42	34	27
	BLUE	711	178	79	44	28	20	15	11	9	7
	CYAN	1728	432	192	108	69	48	35	27	21	17
	LIME	8781	2195	976	549	351	244	179	137	108	88
	AMBER	5392	1348	599	337	216	150	110	84	67	54
	3.200 K	13981	3495	1553	874	559	388	285	218	173	140
	5.600 K	15956	3989	1773	997	638	443	326	249	197	160
Diameter Ø (m)		0.91	1.81	2.72	3.63	4.54	5.44	6.35	7.26	8.17	9.07



Optic: Lens Tube Profile 26°

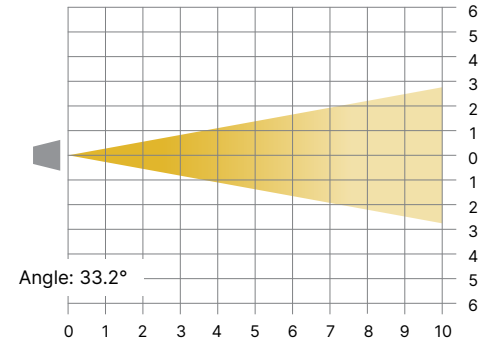
Distance (m)		1	2	3	4	5	6	7	8	9	10
lux	RED	4800	1200	533	300	192	133	89	75	59	48
	GREEN	12850	3213	1428	803	514	357	262	201	159	129
	BLUE	3400	850	378	213	136	94	69	53	42	34
	CYAN	8225	2056	914	514	329	228	168	129	102	82
	LIME	41850	10463	4650	2616	1674	1163	854	654	517	419
	AMBER	25800	6450	2867	1613	1032	717	527	403	319	258
	3.200 K	66225	16556	7358	4139	2649	1840	1352	1035	818	662
	5.600 K	75125	18781	8347	4695	3005	2087	1533	1174	927	751
Diameter Ø (m)		0.44	0.88	1.32	1.76	2.20	2.64	3.08	3.52	3.96	4.40



## LEDko SHHH FullSpectrum - Lens Tubes

Optic: Lens Tube Profile 36°

Distance (m)		1	2	3	4	5	6	7	8	9	10
<b>lux</b>	<b>RED</b>	2400	600	267	150	96	67	49	38	30	24
	<b>GREEN</b>	6525	1631	725	408	261	181	133	102	81	65
	<b>BLUE</b>	1775	444	197	111	71	49	36	28	22	18
	<b>CYAN</b>	4225	1056	469	264	169	117	86	66	52	42
	<b>LIME</b>	21050	5263	2339	1316	842	585	430	329	260	211
	<b>AMBER</b>	12950	3238	1439	809	518	360	264	202	160	130
	<b>3.200 K</b>	33150	8288	3683	2072	1326	921	677	518	409	332
	<b>5.600 K</b>	37625	9406	4181	2352	1505	1045	768	588	465	376
<b>Diameter Ø (m)</b>		0.60	1.19	1.79	2.38	2.98	3.58	4.17	4.77	5.37	5.96



● Coemar Lighting S.r.l.

Via Carpenedolo, 90  
46043, Castiglione delle Stiviere (MN) – Italy

P. +39 0376 1514412

M1. info@coemar.com

M2. service@coemar.com

W. coemar.com

P.iva – C.f. 02415330204

