

How to secure your optics on the LEDko SHHH

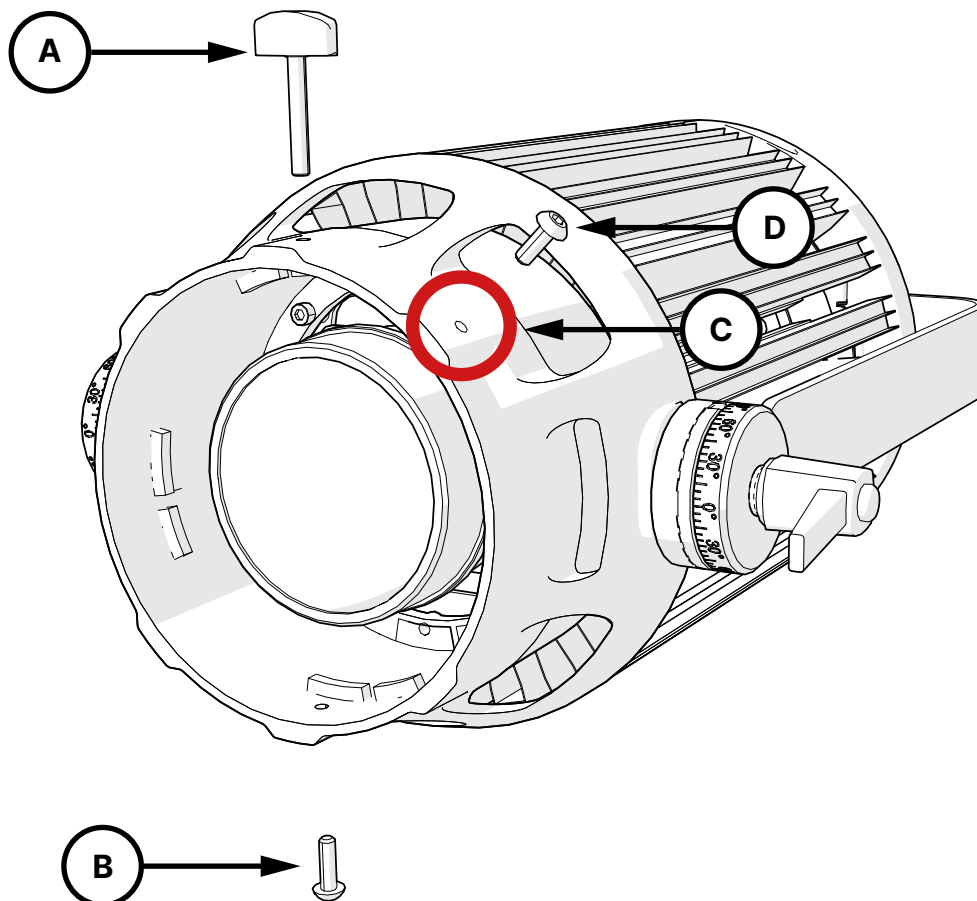
In order to secure all your optics on the LEDko SHHH, in addition to the standard knob (A) and screw (B), you need to **drill (C)** the metal carter and thread it (view page 2 so you can see exactly where to make the hole). Now use the hole just made by screwing the screw (D).

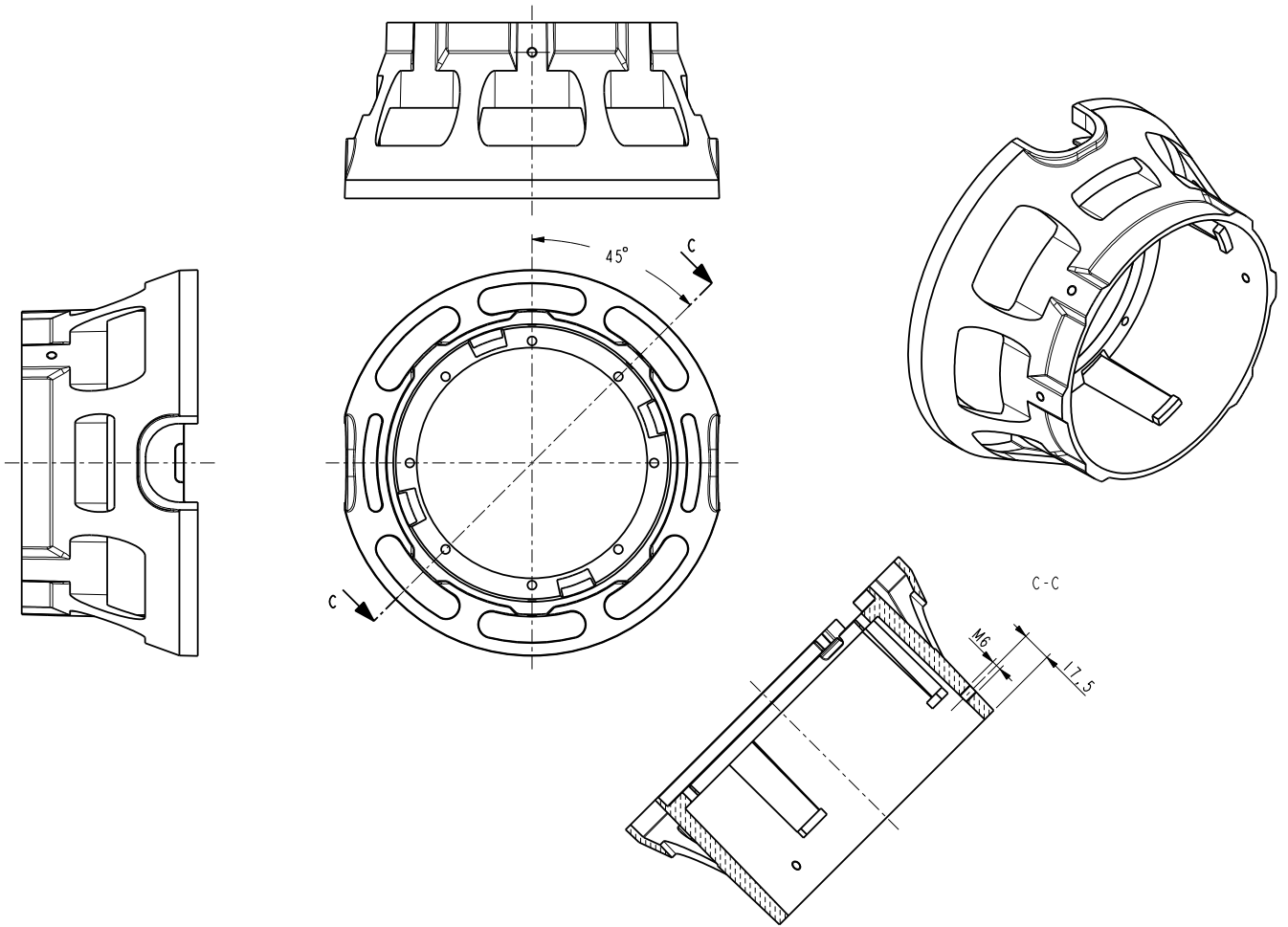
The optic is locked and secure to be used.

Screws specifications

B: M6×20

D: M6×16





● Coemar Lighting S.r.l.

Via Carpenedolo, 90

46043, Castiglione delle Stiviere (MN) – Italy

P. +39 0376 1514412

M1. info@coemar.com

M2. service@coemar.com

W. coemar.com

P.iva – C.f. 02415330204



Coemar reserves the right to change specifications without prior notice.

Last Update: 20 August 2024 - vrs. 1.0