

MiniLEDko EXT Profile

Last update:
27/01/2025



MiniLEDko EXT Profile

Introducing

● We took our flagship product and made it smaller. Much smaller. We are proud to introduce you to the new Coemar product family, MiniLEDko EXT Profile.

Thanks to MiniLEDko EXT Profile we can expand our offer and make available all the quality we offer with LEDko EXT, in a much smaller body, rated IP65.

High power is not always necessary and this is why MiniLEDko EXT Profile was born. Anyone who needs a profiler with an incredible light emitted/power ratio must have our brand new MiniLEDko EXT Profile. We have thought of everything, from optics to mounting options, to communication protocols, to ensure that anyone can find the perfect product for their needs.

Key Features



● White COB LED



● High CRI > 97



● CCT Fixed white: 2.700 K, 3.000 K, 4.000 K or 5.600 K



● IP65



● High Definition Optics

● High lumen flux and flat field



● Full Body in Aluminum



● Custom color on request (optional)

General	
● LED Source	White COB LED
● CCT Range	● ● ● ● ● 2.700 K, 3.000 K, 3.500 K, 4.000 K, 5.000 K
● Color Rendition Average	CRI > 97
● Light efficiency	Profile Zoom 20°-30°: Zoom min: 627 lm Zoom max: 585 lm Profile 50°: 260 lm
● Dimming	Smooth 100% to 0% (DMX version)
● Framing System	Four blade framing system, each shutter blade is adjustable for radial position and angle
● Camera flicker control/Hz range	Yes, from 600 to 20.000 Hz (DMX version) Yes
● Calibrated Cob	50.000 Hours
● L80 Rating (hours to 80% output)	Yes
● Pattern Projection	
Electrical	
● Voltage Input	220-240 V, 50/60 Hz (on request available other voltage range)
● Power Consumption	20 W Typical - 0.07 A at 230 V, 0.15 A at 115 V - cosφ: 0.9
● Power Connection	50 cm (19.7 in) integrated cable bare ends (IP65 Junction Connector included)
● DMX Data Connection	50 cm (19.7 in) In/Out integrated cable bare ends (n.2 IP65 DMX Signal Junction Connectors included)
Thermal	
● Ambient Operating Temperature	-25°C - +40°C (-13°F - 104°F)
● Ambient Storage Temperature	-30°C - +80°C (-22°F - 176°F)
● Active Electronic Thermal	Active electronic thermal management operation
● Cooling	Noiseless, fan-free convection cooling
Control	
● Protocols	On/Off, DMX-512, RDM (Remote Device Management)
● RDM configuration	Yes (only DMX version)
● DMX Channels	5 / 1
Physical	
● Mounting options	Yoke
● Materials	Aluminium construction (EN AB-46100 grade)
● Fine Texture	High temperature powder-coated paint
● Tool-free	Tilt and beam adjustment
● Weight	Body: 1.3 Kg / 2.87 lbs - Power supply box: 0.96 Kg / 2.12 lbs
● Length	146 mm / 5.75 in
● Height	95 mm / 3.74 in
● Width	115 mm / 4.53 in
● IP Rating	IP65
● Color options	Black (standard), custom color on request (optional)



MiniLEDko EXT Profile internal optic

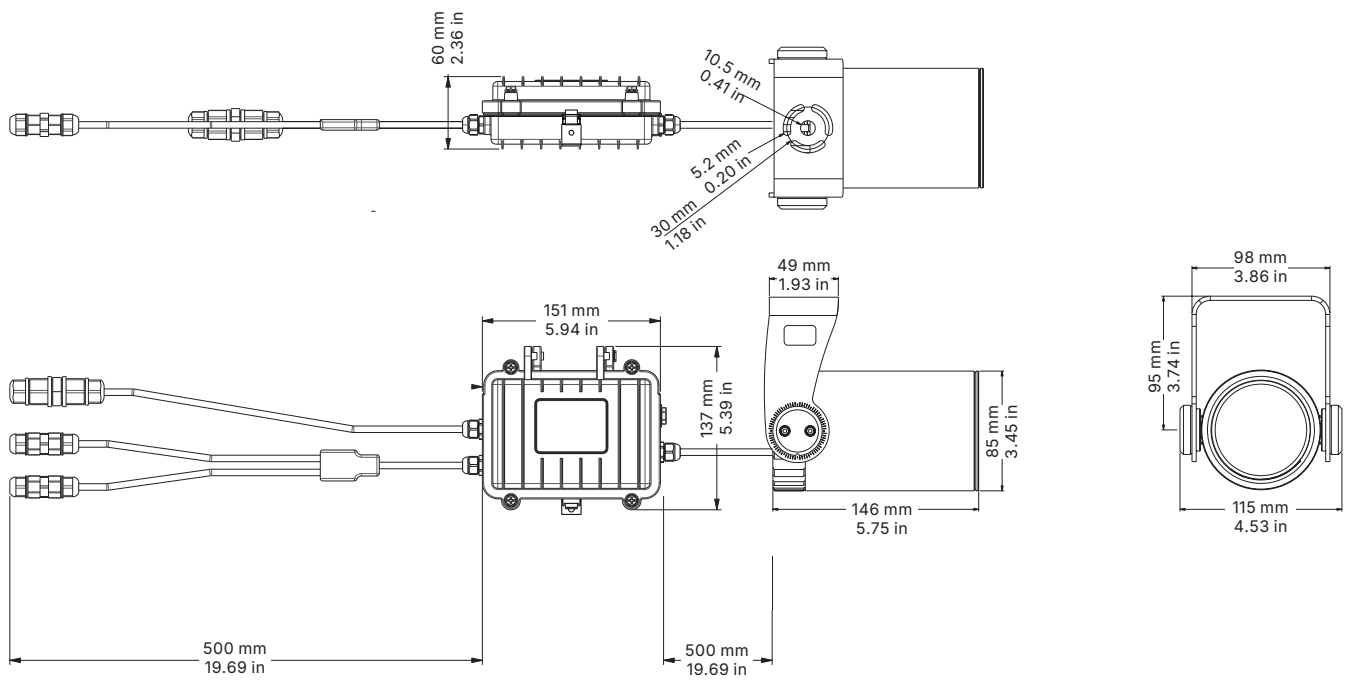
DMX Charts

5 Channels

- 01 → Master Dimmer
- 02 → Spare Channel
- 03 → Dimmer Fine
- 04 → Strobe
- 05 → Special Functions

1 Channel

- 01 → Master Dimmer

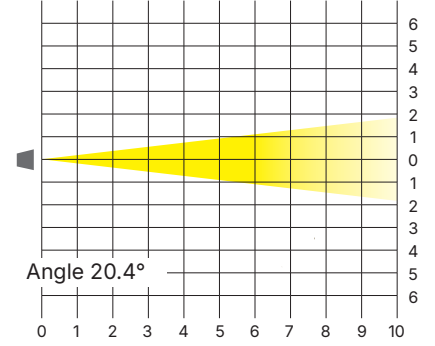


*Power Box

MiniLEDko EXT Profile - 3.000 K

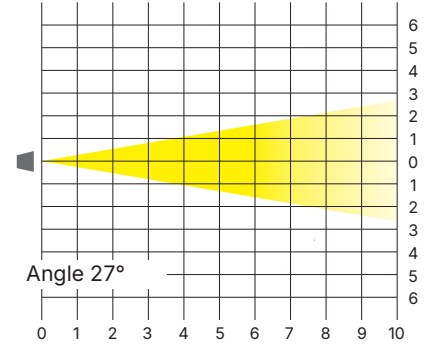
Optic: Zoom Profile 20°-30° - Minimum Zoom

Distance(m)	1	2	3	4	5	6	7	8	9	10
lux	3.000K 5049	1262	561	316	202	140	103	79	62	50
Diameter Ø (m)	0.36	0.72	1.08	1.44	1.80	2.16	2.52	2.88	3.24	3.60
CRI: 98										



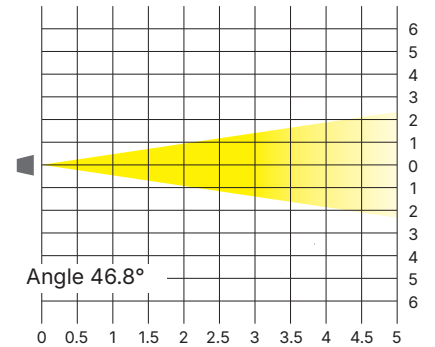
Optic: Zoom Profile 20°-30° - Maximum Zoom

Distance(m)	1	2	3	4	5	6	7	8	9	10
lux	3.000K 3384	846	376	212	135	94	69	53	42	34
Diameter Ø (m)	0.48	0.96	1.44	1.92	2.40	2.88	3.36	3.84	4.32	4.80
CRI: 97										



Optic: Profile 50°

Distance(m)	0.5	1	1.5	2	2.5	3	3.5	4	4.5	5
lux	3.000K 2232	558	248	140	89	62	46	35	28	22
Diameter Ø (m)	0.43	0.87	1.30	1.73	2.16	2.60	3.03	3.46	3.89	4.33
CRI: 98										



● Coemar Lighting S.r.l.

Via Carpenedolo, 90
46043, Castiglione delle Stiviere (MN) – Italy

P. +39 0376 1514412
M1. info@coemar.com
M2. service@coemar.com
W. coemar.com

P.iva – C.f. 02415330204



Coemar reserves the right to change specifications without prior notice.

Last Update: 27 January 2025 - vrs. 1.5