

MiniLEDko EXT Profile

Last update:
01/10/2024



MiniLEDko EXT Profile

Introducing

● We took our flagship product and made it smaller. Much smaller. We are proud to introduce you to the new Coemar product family, MiniLEDko EXT Profile.

Thanks to MiniLEDko EXT Profile we can expand our offer and make available all the quality we offer with LEDko EXT, in a much smaller body, rated IP65.

High power is not always necessary and this is why MiniLEDko EXT Profile was born. Anyone who needs a profiler with an incredible light emitted/power ratio must have our brand new MiniLEDko EXT Profile. We have thought of everything, from optics to mounting options, to communication protocols, to ensure that anyone can find the perfect product for their needs.

Key Features



● White COB LED



● High CRI > 97



● CCT Fixed white: 2.700 K, 3.000 K, 4.000 K or 5.600 K



● IP65



● High Definition Optics
● High lumen flux and flat field



● Full Body in Aluminum



● Custom color on request (optional)

General

| | |
|---------------------------------------|---|
| ● LED Source | 20 W White COB LED |
| ● CCT Range | ● ● ● ● ● 2.700 K, 3.000 K, 3.500 K, 4.000 K, 5.000 K |
| ● Color Rendition Average | CRI > 97 |
| ● Light efficiency | Profile Zoom 20°-30°: Zoom min: 627 lm Zoom max: 585 lm Profile 50°: 260 lm |
| ● Dimming | Smooth 100% to 0% (DMX version) |
| ● Framing System | Four blade framing system, each shutter blade is adjustable for radial position and angle |
| ● Camera flicker control/Hz range | Yes, from 600 to 20.000 Hz (DMX version) |
| ● Calibrated Cob | Yes |
| ● L80 Rating (hours to 80% output) | 50.000 Hours |
| ● Pattern Projection | Yes |

Electrical

| | |
|-----------------------|--|
| ● Voltage Input | 220-240 V, 50/60 Hz (on request available other voltage range) |
| ● Power Consumption | 20 W Typical - 0.07 A at 230 V, 0.15 A at 115 V - $\cos\phi$: 0.9 |
| ● Power Connection | 50 cm (19.7 in) integrated cable bare ends (IP65 Junction Connector included) |
| ● DMX Data Connection | 50 cm (19.7 in) In/Out integrated cable bare ends (n.2 IP65 DMX Signal Junction Connectors included) |

Thermal

| | |
|---------------------------------|--|
| ● Ambient Operating Temperature | -25°C - +40°C (-13°F - 104°F) |
| ● Ambient Storage Temperature | -30°C - +80°C (-22°F - 176°F) |
| ● Active Electronic Thermal | Active electronic thermal management operation |
| ● Cooling | Noiseless, fan-free convection cooling |

Control

| | |
|---------------------|---|
| ● Protocols | On/Off, DMX-512, RDM (Remote Device Management) |
| ● RDM configuration | Yes (only DMX version) |
| ● DMX Channels | 5 / 1 |

Physical

| | |
|--------------------|--|
| ● Mounting options | Yoke |
| ● Materials | Aluminium construction (EN AB-46100 grade) |
| ● Fine Texture | High temperature powder-coated paint |
| ● Tool-free | Tilt and beam adjustment |
| ● Length | 146 mm / 5.75 in |
| ● Height | 95 mm / 3.74 in |
| ● Width | 115 mm / 4.53 in |
| ● IP Rating | IP65 |
| ● Color options | Black (standard), custom color on request (optional) |



MiniLEDko EXT Profile internal optic

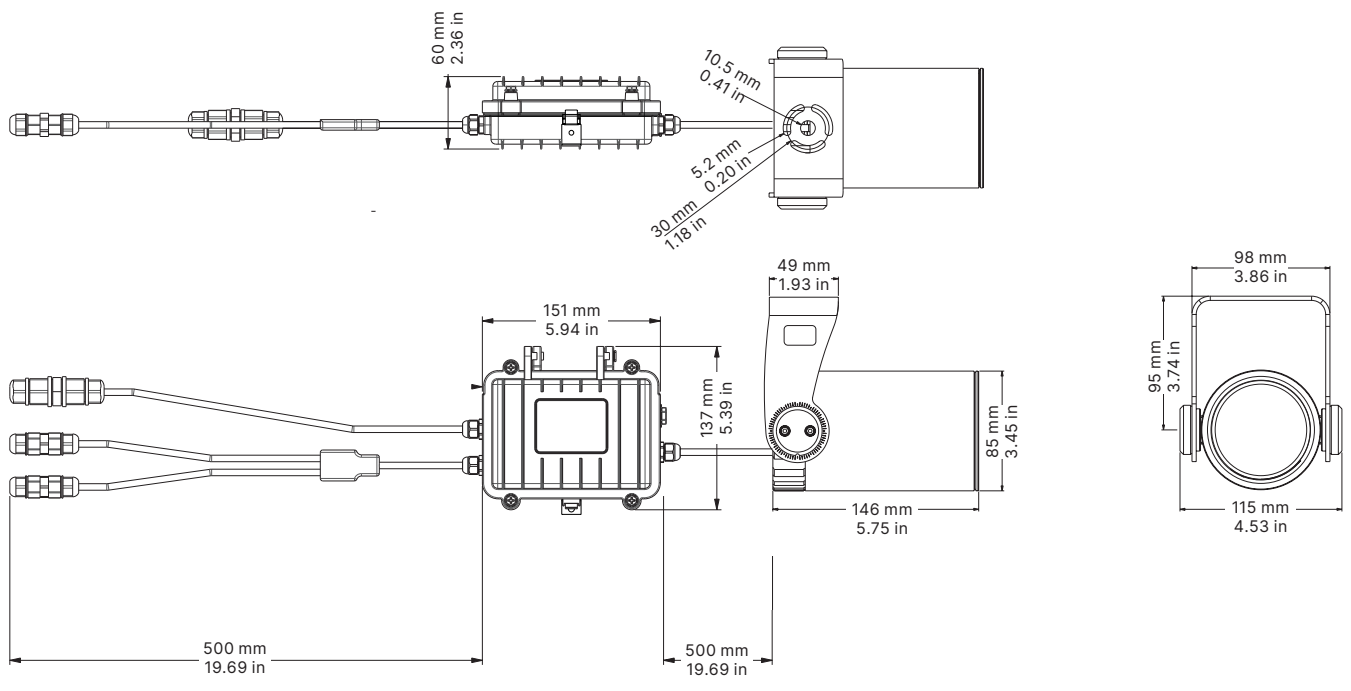
DMX Charts

5 Channels

- 01 → Master Dimmer
- 02 → Spare Channel
- 03 → Dimmer Fine
- 04 → Strobe
- 05 → Special Functions

1 Channel

- 01 → Master Dimmer

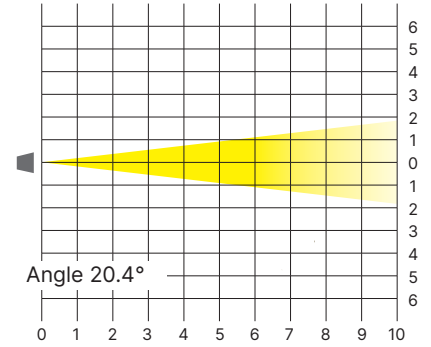


*Power Box

MiniLEDko EXT Profile - 3.000 K

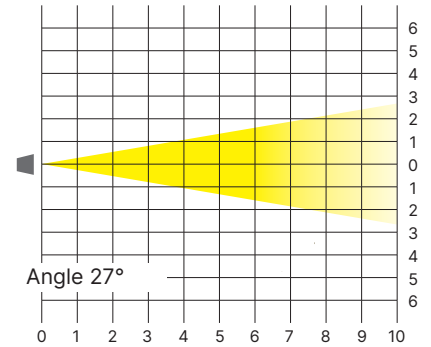
Optic: Zoom Profile 20°-30° - Minimum Zoom

| Distance(m) | 1 | 2 | 3 | 4 | 5 | 6 | 7 | 8 | 9 | 10 |
|----------------|--------------------|------|------|------|------|------|------|------|------|------|
| lux | 3.000K 5049 | 1262 | 561 | 316 | 202 | 140 | 103 | 79 | 62 | 50 |
| Diameter Ø (m) | 0.36 | 0.72 | 1.08 | 1.44 | 1.80 | 2.16 | 2.52 | 2.88 | 3.24 | 3.60 |
| CRI: 98 | | | | | | | | | | |



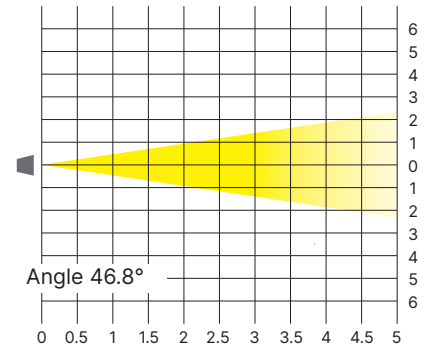
Optic: Zoom Profile 20°-30° - Maximum Zoom

| Distance(m) | 1 | 2 | 3 | 4 | 5 | 6 | 7 | 8 | 9 | 10 |
|----------------|--------------------|------|------|------|------|------|------|------|------|------|
| lux | 3.000K 3384 | 846 | 376 | 212 | 135 | 94 | 69 | 53 | 42 | 34 |
| Diameter Ø (m) | 0.48 | 0.96 | 1.44 | 1.92 | 2.40 | 2.88 | 3.36 | 3.84 | 4.32 | 4.80 |
| CRI: 97 | | | | | | | | | | |



Optic: Profile 50°

| Distance(m) | 0.5 | 1 | 1.5 | 2 | 2.5 | 3 | 3.5 | 4 | 4.5 | 5 |
|----------------|--------------------|------|------|------|------|------|------|------|------|------|
| lux | 3.000K 2232 | 558 | 248 | 140 | 89 | 62 | 46 | 35 | 28 | 22 |
| Diameter Ø (m) | 0.43 | 0.87 | 1.30 | 1.73 | 2.16 | 2.60 | 3.03 | 3.46 | 3.89 | 4.33 |
| CRI: 98 | | | | | | | | | | |



● Coemar Lighting S.r.l.

Via Carpenedolo, 90
46043, Castiglione delle Stiviere (MN) – Italy

P. +39 0376 1514412

M1. info@coemar.com

M2. service@coemar.com

W. coemar.com

P.iva – C.f. 02415330204

