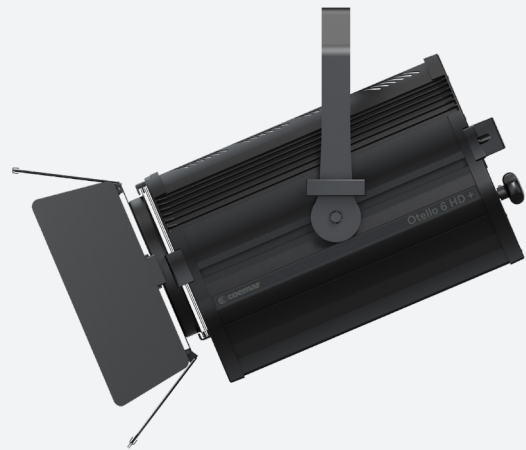
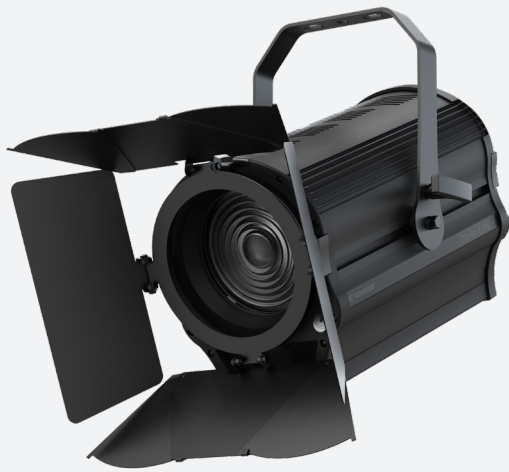


Otello 6 T/D +

Last update:
16/10/2024



Otello 6 T/D + with 8 leaf barn door

Introducing

● Developed to offer the best solution in the stage lighting field focussing on theatre and TV studios applications, Otello Led Fresnel incorporates all traditional characteristics of a Fresnel light such as the distinctive soft-edged and very wide beam and the smooth and homogeneous light field.

The + electronic with an advanced LED controller guarantees a smooth dimming and it offers a higher luminous efficiency.

Next to the traditional manual or P.O. option, Otello offers an optional motorized zoom, which together with a modern design and Oled display with on-board selector for quick setting represents the state of the art in terms of LED Fresnel range. The family consists of 2 fixtures with lenses of 150 mm (5,9 inch) and 200 mm (7,87 inch). All variants include COB led calibrated, Tungsten and Daylight, respectively at 3.200 K and 5.600 K CCT.

Key Features



● Tungsten or Daylight COB LED



● High CRI > 95



● High Lumen flux and flat field



● Fresnel lens (diameter 150 mm / 5.90 in)
● Manual zoom, range from 10° to 46° half peak angle (motorized, manual or PO zoom available)



● Extruded aluminum, flame-retardant technopolymer reinforced with fiberglass



● Custom color on request (optional)



● Manual Yoke, Pole Operated Pan-Tilt-Zoom (Accessory)

General	
● LED Source	Tungsten or Daylight COB LED
● CCT Range	● ● ● ● ● Fixed White 3.200 K or 5.600 K
● Color Rendition Average	CRI> 95, TLCI> 97
● Dimming	8 or 16 bit, 5 selectable curves: Exponential, Logarithmic, Linear, Halo and Standard
● Dimming Smooth Selection	Fast, Slow and Very Slow
● Strobe	Electronic strobe, synchronized, random, pulse effect
● Lens	Glass Fresnel lens (diameter 150 mm / 5.90 in)
● Optical	Zoom range from 10° to 46° half peak angle (motorized, manual or PO zoom available)
● Camera flicker control/Hz range	Flicker-free operation with LEDs frequency controlled via DMX from 600 to 20.000 Hz
● Calibrated Cob	Yes
● L80 Rating (hours to 80% output)	50.000 Hours
Electrical	
● Voltage Input	85-264 V, 50/60 Hz, auto-sensing
● Power Consumption	210 W Maximum - 0.96 A at 230 V, 1.92 A at 115 V - $\cos\phi > 0.95$
● Power Connection	In and Out PowerCON TRUE1 Top connectors
● Data Connection	In and Out DMX 5 pin locking XLR connectors
Thermal	
● Ambient Operating Temperature	0°C - +40°C (32°F - 104°F)
● Fan (controllable)	Yes, 4 different settings: Silent, Studio, Auto, DMX Regulated
Control	
● Protocols	DMX-512, RDM (Remote Device Management), Wireless (optional By LumenRadio)
● RDM configuration	Yes
● DMX Channels	5 / 1
● Display	Graphic OLED with on-board selector for quick setting
● Firmware upgrade	Through DMX with RDM Upgrade USB interface (code AC10011A001)
Physical	
● Yoke	Manual Yoke, Pole Operated Pan-Tilt-Zoom (Accessory)
● Materials	Extruded aluminum, flame-retardant technopolymer reinforced with fiberglass
● Weight	9.5 kg / 20.94 lbs
● Length	425.5 mm / 16.76
● Height	267.3 mm / 10.52 in - With bracket: 384.2 mm / 15.13 in
● Width	277.7 mm / 10.93 in
● IP Rating	IP20
● Color options	Black (standard), custom color on request (optional)
Included accessories	
BC10044A001	8-Leaf Barndoor
GKIT17 (USA) / GKIT16 (EU)	1.5 m power cable with PowerCON TRUE1 Top and bare ends
BC10044A005	Color frame holder



Otello 6 T/D + (manual zoom)
Rear Panel with the new OLED
display



Otello 6 T/D + with
Pole Operated Yoke and Pole Operated
Zoom

Otello 6 T/D + PO version / Rear Panel

DMX Charts

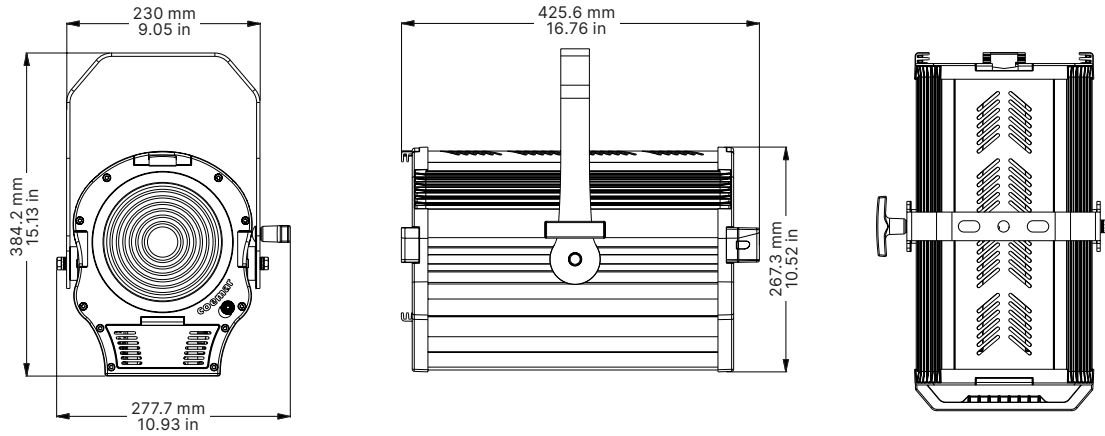
5 Channels

- 01 → Master Dimmer
- 02 → Spare Channel
- 03 → Dimmer Fine
- 04 → Strobe Effect
- 05 → Special Functions

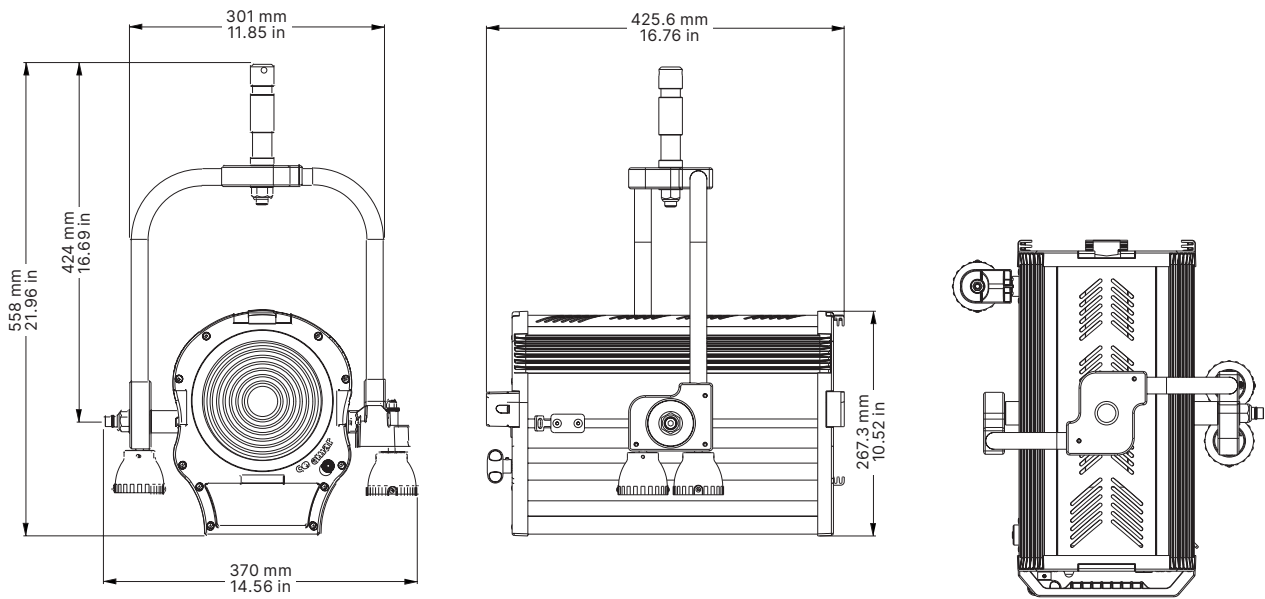
1 Channel

- 01 → Master Dimmer - Color
Temperature Settable by Display

Drawing Size - Manual Yoke Version



Drawing Size - Pole operated Yoke Version



Models

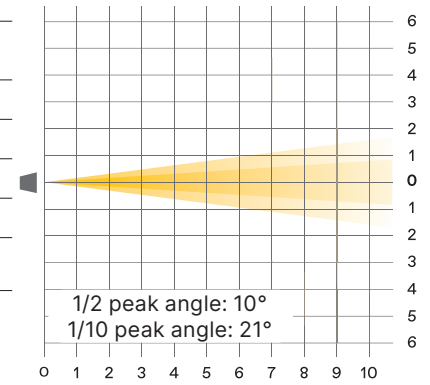
Product	Code
Otello 6 HD T/D + Manual Yoke, Manual Zoom	F150G090M
Otello 6 HD T/D + Manual Yoke, Motorized Zoom	F150G000M
Otello 6 HD T/D + Pole Operated	F150G010M

Otello 6 Tungsten +

Measurements taken at 3 meters

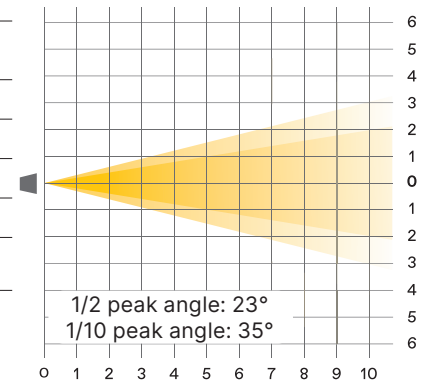
Minimum Zoom

Distance(m)	1	2	3	4	5	6	7	8	9	10	
lux	3.200 K	112491	28123	12499	7031	4500	3125	2296	1758	1389	1125
1/2 P.A. Ø (m)	0.17	0.35	0.52	0.70	0.87	1.05	1.22	1.40	1.57	1.75	
1/10 P.A. Ø (m)	0.37	0.74	1.11	1.48	1.85	2.22	2.59	2.97	3.34	3.71	
CRI 97.1, TLCI 97.5											



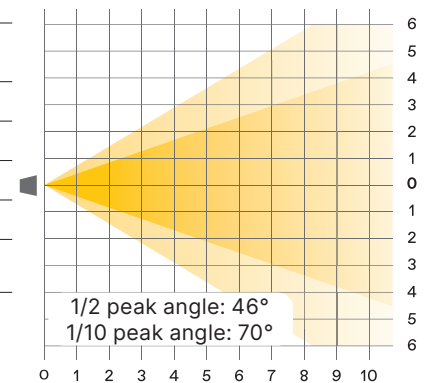
Medium Zoom

Distance(m)	1	2	3	4	5	6	7	8	9	10	
lux	3.200 K	46665	11666	5185	2917	1867	1296	952	729	576	467
1/2 P.A. Ø (m)	0.41	0.81	1.22	1.63	2.03	2.44	2.85	3.26	3.66	4.07	
1/10 P.A. Ø (m)	0.63	1.26	1.89	2.52	3.15	3.78	4.41	5.04	5.68	6.31	
CRI 97.1, TLCI 97.3											



Maximum Zoom

Distance(m)	1	2	3	4	5	6	7	8	9	10	
lux	3.200 K	14994	3749	1666	937	600	417	306	234	185	150
1/2 P.A. Ø (m)	0.85	1.70	2.55	3.40	4.24	5.09	5.94	6.79	7.64	8.49	
1/10 P.A. Ø (m)	1.40	2.80	4.20	5.60	7.00	8.40	9.80	11.20	12.60	14.00	
CRI 97.3, TLCI 97.6											



● Coemar Lighting S.r.l.

Via Carpenedolo, 90
46043, Castiglione delle Stiviere (MN) – Italy

P. +39 0376 1514412

M1. info@coemar.com

M2. service@coemar.com

W. coemar.com

P.iva – C.f. 02415330204



Coemar reserves the right to change specifications without prior notice.

Last Update: 16 October 2024 - vrs. 2.3