

LEDko T₊

Product code:
F111E000A (CRI 80)
F111C000A(CRI 90)

Last update:
19/02/2025



LEDko T +
with Profile Zoom 28°-40° Optic

LEDko T + with Profile Zoom 28°-40° Optic

Introducing

● Designed with new electronic and a new OLED display, this spot profile projector is the evolution of the Tungsten. The + electronic with advanced LED controller enables a smooth dimming and it offers a higher luminous efficiency. Very quick setup of the functions thanks to the potentiometer knob

Key Features

- Tungsten COB LED
- CRI > 80 or CRI > 90
- CCT 3.200 K
- LED profile spot
- High lumen flux and flat field
- Swappable lens tubes between 5°-90°
- Soft profiling thanks to Fresnel and PC optics (Coemar patent)
- Four blade framing system, each shutter blade is adjustable for radial position and angle
- Flame-retardant technopolymer reinforced with fiberglass
- Custom color on request (optional)
- Manual (standard) or Pole Operated Pan-Tilt (optional)
- European Conformity certification

General	
● LED Source	Tungsten COB LED
● CCT Range	●●●●● 3.200 K
● Color Rendition Average	CRI> 80, TLCI 65 / CRI> 90, TLCI 88
● Luminous flux T CRI 90	Lens Tube: 19°: 5.514 lm, 26°: 7.413 lm, 36°: 7.941 lm, 50°: 8.378 lm Profile Zoom 15°-35°: Zoom min: 10.991 lm, zoom max: 7.484 lm Profile Zoom 25°-50°: Zoom min: 7.389 lm, zoom max: 9.208 lm Fresnel: Zoom min: 8.253 lm, zoom max: 7.877 lm PC: Zoom min: 7.786 lm, zoom max: 7.741 lm
● Dimming	8 or 16bit, 5 selectable curves: Exponential, Logarithmic, Linear, Halo and Standard
● Dimming Smooth Selection	Fast, Slow and Very Slow
● Strobe	Synchronized, random or pulse electronic strobe
● Available Optics	Swappable lens tubes between 5°-90°
● Camera flicker control/Hz range	Yes, from 600 Hz to 20.000 Hz
● Calibrated Cob	Yes
● L80 Rating (hours to 80% output)	50.000 Hours
● Pattern projection	Yes
● Pattern size	A or B
Electrical	
● Voltage Input	85-264 V, 50/60 Hz, auto-sensing
● Power Consumption	200 W Maximum - 0.92 A at 230, 1.83 A at 115V - cosφ 0.95
● Power Connection	In and Out PowerCON TRUE1 Top connectors, 1.5 m (4.9 ft) PowerCon cable without power plug
● Data Connection	In and Out DMX 5 pin locking XLR connectors
Thermal	
● Ambient Operating Temperature	0°C - +40°C (32°F - 104°F)
● Fan (controllable)	Yes, 4 different settings: Silent, Studio, Auto, DMX Regulated
Control	
● Protocols	DMX-512, RDM (Remote Device Management), Wireless (optional by LumenRadio)
● RDM configuration	Yes
● DMX Channels	5 / 1
● Display	Graphic OLED with on-board selector for quick setting
● Firmware update	Through DMX with RDM Upgrade USB interface (code AC10011A001)
Physical	
● Yoke	Manual (standard) or Pole Operated Pan-Tilt (Optional)
● Materials	Flame-retardant technopolymer reinforced with fiberglass
● Framing System	Four stainless steel shutter blades in a two-plane assembly, 0.40mm (AISI 316)
● Weight	Body: 6 kg / 13.22 lbs - With Profile Zoom 28°/40° 8.5 Kg / 18.74 lbs
● Length	Body: 362 mm / 14.25 in - With Profile Zoom 28°/40° optic: 601 mm / 23.66 in
● Height	189 mm / 7.44 in - With bracket: 372 mm / 14.64 in
● Width	355 mm / 13.97 in
● IP Rating	IP20 (available IP65 LEDko Ext Series)
● Color options	Black (standard), custom color on request (optional)
Included accessories	
GKIT17 (USA) / GKIT16 (EU)	1.5 m power cable with PowerCON TRUE1 Top and bare ends
BC10011A106	Metal Gobo Holder

Optics

BC10011A017	Profile Zoom 15°-35°
BC10011A019	Profile Zoom 25°-50°
BC10011A003	Profile Zoom 28°-40°
BC10011A002	Soft Profile Fresnel Zoom 14°-40°
BC10011A001	Soft Profile PC Zoom 11°-38°
BC10011A000	Front Barrel with Burnished Blades
BC10011A041	Lens Tube Profile 5°
BC10011A042	Lens Tube Profile 10°
BC10011A023	Lens Tube Profile 14°
BC10011A012	Lens Tube Profile 19°
BC10011A013	Lens Tube Profile 26°
BC10011A015	Lens Tube Profile 36°
BC10011A016	Lens Tube Profile 50°
BC10011A024	Lens Tube Profile 70°
BC10011A025	Lens Tube Profile 90°

General accessories

BC10034A003	4-Leaf Barndoor for Zoom Fresnel optic
BC10011A006	Magnetic Gobo Holder
BC10011A030	Gobo Holder for Glass Gobo
BC10011A010	Iris
BC10011A049	Gobo Holder for Iris Slot
BC10011A047	Hook Clamp, 48-51 mm (Max Load 20 Kg)
BC10011A045	Light Clamp Silver, 48-51 mm (Max 75 Kg)
BC10011A046	Light Clamp Black, 48-51 mm (Max 75 Kg)
BC10011A043	Clamp Silver Flat 13-30 mm/ø15-50 mm (Max 20 Kg)
BC10011A044	Clamp Black Flat 13-30 mm/ø15-50 mm (Max 20 Kg)
BC10011A100	Wireless Kit (LumenRadio)
BC10011A150	Pole Operated Yoke

Accessories for Profile Zoom 15°-35° and 25°-50°

BC10011A028	Donut (190.5 mm)
BC10011A027	Half Top Hat (190.5 mm)
BC10011A029	Top Hat (190.5 mm)
BC10011A040	Color Frame Holder (190.5 mm)

Accessories for Soft Profile Zoom (Fresnel, PC) and Profile Zoom 28°-40°

BC10011A036	Donut (185 mm)
BC10011A035	Half Top Hat (185 mm)
BC10011A037	Top Hat (185 mm)
ACO4204	Color Frame Holder (185 mm)

Accessories for Lens Tube

BC10011A032	Donut (159 mm)
BC10011A031	Half Top Hat (159 mm)
BC10011A033	Top Hat (159 mm)
BC10011A021	Color Frame Holder (159 mm)



LEDko T + Rear Panel with the new OLED Display



LEDko T + with Pole Operated Yoke

LEDko T + Pole Operated Yoke/Rear Panel

DMX Charts

5 Channels

01 → Master Dimmer

02 → Spare Channel

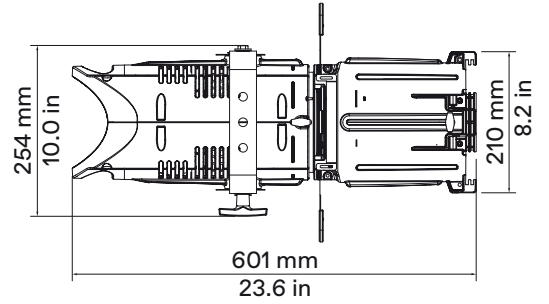
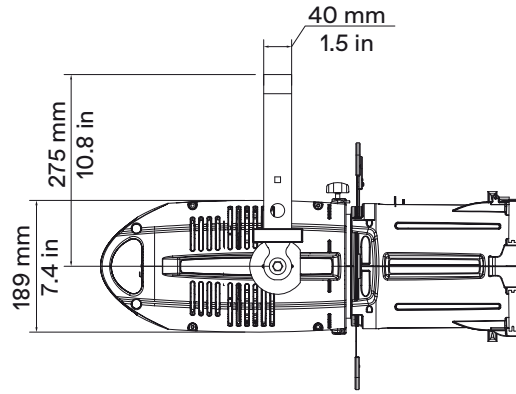
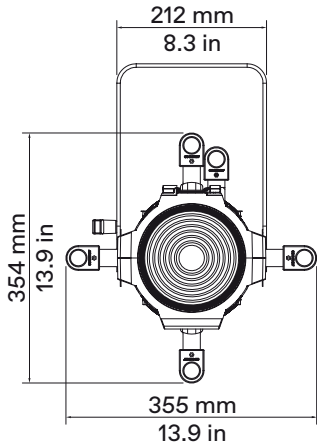
03 → Dimmer Fine

04 → Strobe Effect

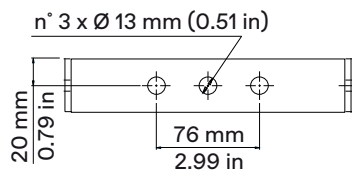
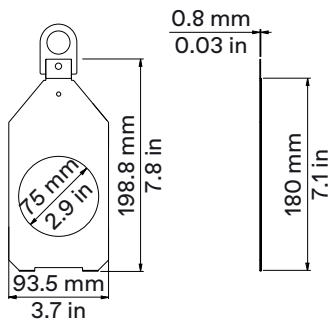
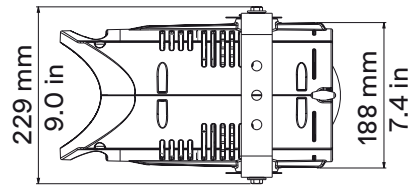
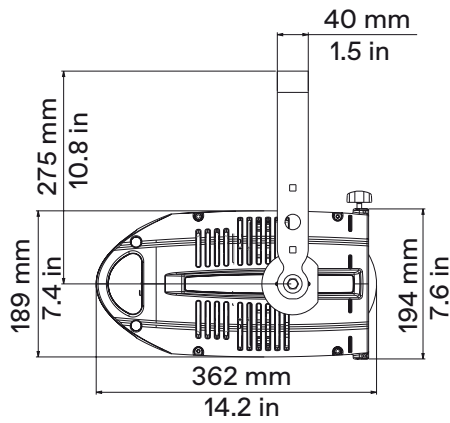
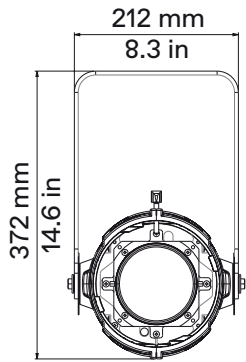
05 → Special Functions

1 Channel

01 → Master Dimmer



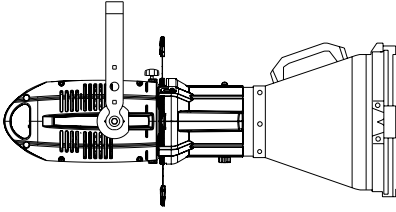
* with Profile Zoom 28°/40° optic

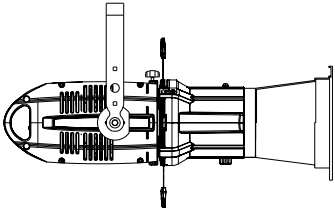


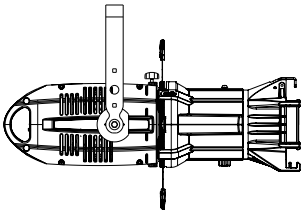
*Standard gobo holder

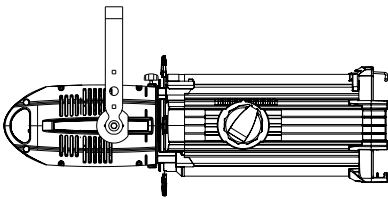
*Yoke

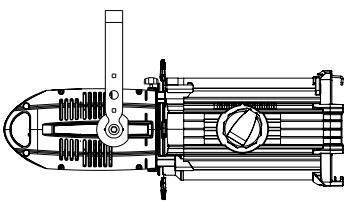
LEDko Optics dimensions and weight

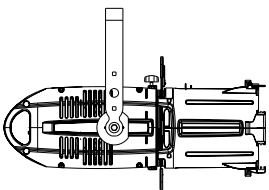
Product	Optics	Length	Weight
	Lens Tube Profile 10°	900 mm (35.4 in)	9 Kg (19.8 lbs)

Product	Optics	Length	Weight
	Lens Tube Profile 14°	750 mm (35.4 in)	9 Kg (19.8 lbs)
	Lens Tube Profile 70°	750 mm (35.4 in)	8.68 Kg (19.14 lbs)

Product	Optics	Length	Weight
	Lens Tube Profile 19°	670 mm (26.3 in)	9.15 Kg (20.17 lbs)
	Lens Tube Profile 26°	670 mm (26.3 in)	9.05 Kg (19.95 lbs)
	Lens Tube Profile 36°	670 mm (26.3 in)	9.35 Kg (20.60 lbs)
	Lens Tube Profile 50°	670 mm (26.3 in)	9.05 Kg (19.95 lbs)

Product	Optics	Length	Weight
	Profile Zoom 15°-35°	886 mm (34.9 in)	13.05 Kg (28.77 lbs)

Product	Optics	Length	Weight
	Profile Zoom 25°-50°	783 mm (30.8 in)	11.2 Kg (24.69 lbs)

Product	Optics	Length	Weight
	Profile Zoom 28°-40°	601 mm (23.7 in)	8.3 Kg (18.3 lbs)
	Soft Profile Fresnel Zoom 14°-40°	601 mm (23.7 in)	7.75 Kg (17.09 lbs)
	Soft Profile PC Zoom 11°-38°	601 mm (23.7 in)	8.25 Kg (18.19 lbs)



Theatre - Théâtre des Champs Elysées, France

Product	LEDko T
CCT	3.200K
CRI	>90



Theatre - La Scala, Milan, Italy

Product	LEDko T
CCT	3.200K
CRI	>90
Optical	14°



Theatre - Accademia Nazionale di Santa Cecilia, Rome, Italy

Product	LEDko T
CCT	3.200K
CRI	>90



© nhm-Wien



© nhm-Wien

Museum - Naturhistorisches Museum Wien, Austria

Product	LEDko T
CCT	3.200K
CRI	>90
Lens	19°
Photo Credit	nhm-Wien



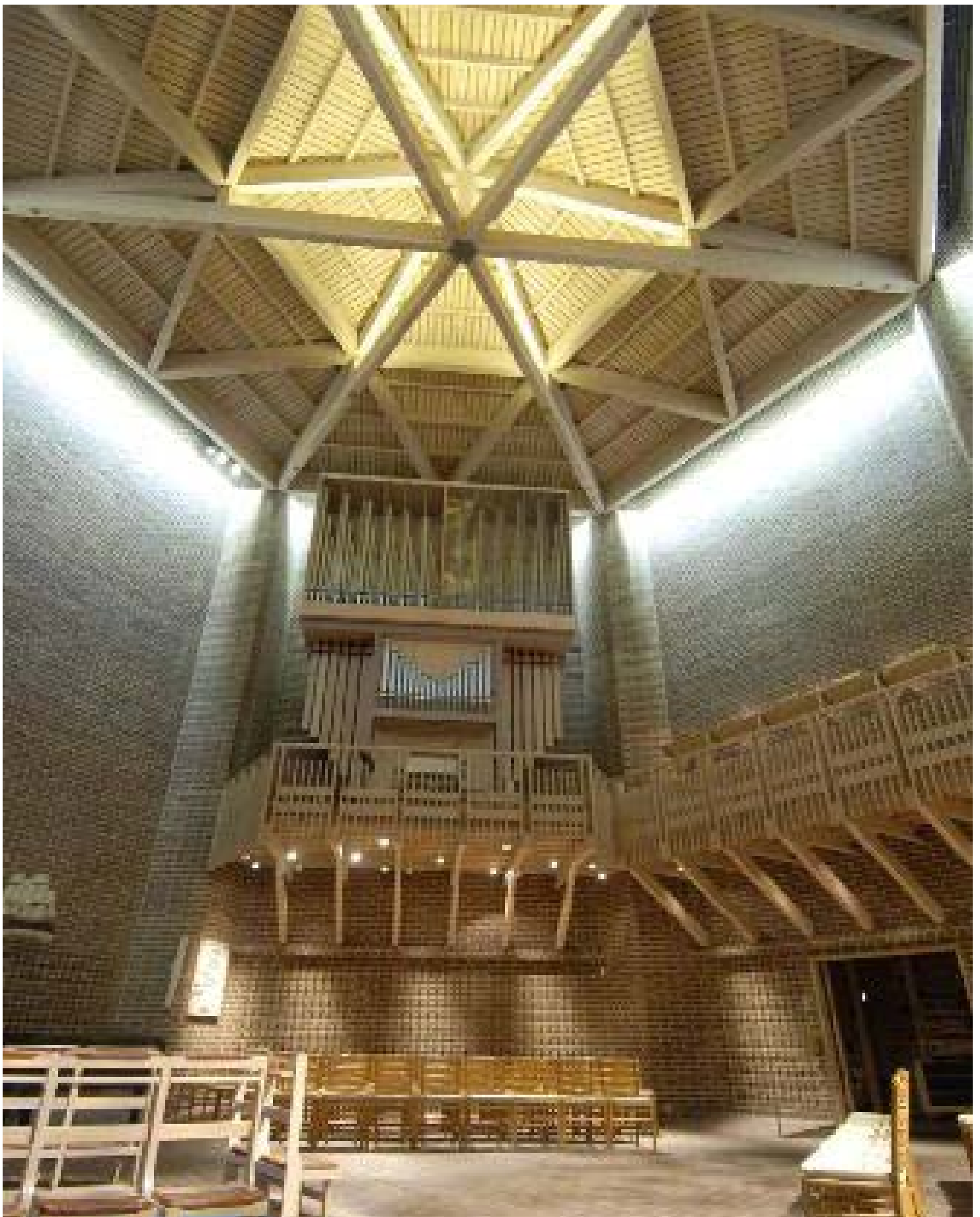
Theme Park - Blue Planet Aquarium, Copenhagen

Product	LEDko T
CCT	3.200K
CRI	>90
Light Designer	Jesper Kongshaug
Installation	Matrix Group



Theme Park - Blue Planet Aquarium, Copenhagen

Product	LEDko T
CCT	3.200K
CRI	>90
Light Designer	Jesper Kongshaug
Installation	Matrix Group



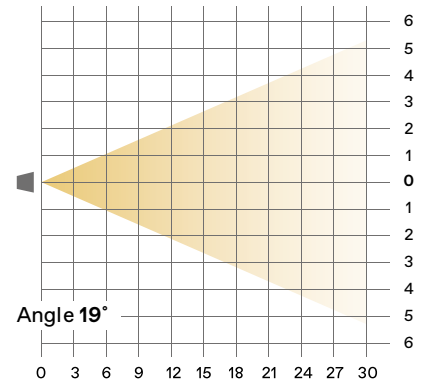
House of Worship - Gl. Holte Kirke, Copenhagen

Product	LEDko T
CCT	3.200K
CRI	>90
Light Designer	Joergen Kjaer

LEDko Tungsten CRI > 90 - Lens Tube

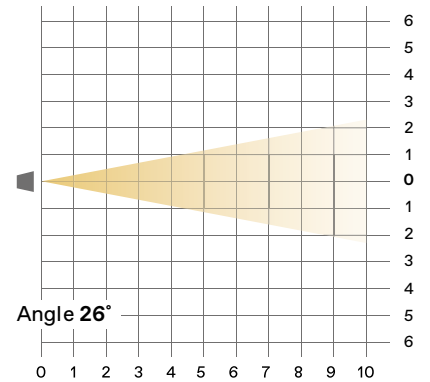
Optic: Lens Tube 19°

Distance(m)	3	6	9	12	15	18	21	24	27	30	
lux	3.200K	24.720	6.180	2.747	1.545	989	687	504	386	305	247
Diameter Ø (m)	1,00	2,01	3,01	4,02	5,02	6,02	7,03	8,03	9,04	10,04	
lux	3.200K	CRI 91.8	TLCI 90								



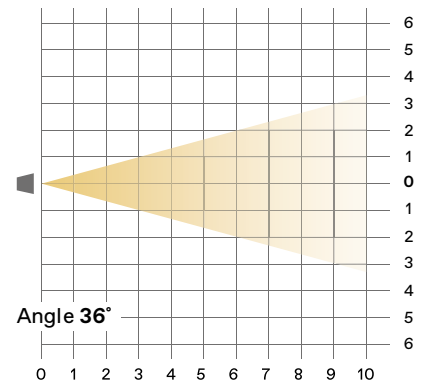
Optic: Lens Tube 26°

Distance(m)	1	2	3	4	5	6	7	8	9	10	
lux	3.200K	120.240	30.060	13.360	7.515	4.810	3.340	2.454	1.879	1.484	1.202
Diameter Ø (m)	0,46	0,92	1,39	1,85	2,31	2,77	3,23	3,69	4,16	4,62	
lux	3.200K	CRI 91	TLCI 90								



Optic: Lens Tube 36°

Distance(m)	1	2	3	4	5	6	7	8	9	10	
lux	3.200K	59.040	14.760	6.560	3.690	2.362	1.640	1.205	923	729	590
Diameter Ø (m)	0,65	1,30	1,95	2,60	3,25	3,90	4,55	5,20	5,85	6,50	
lux	3.200K	CRI 91.7	TLCI 90								



● Coemar Lighting S.r.l.

Via Carpenedolo, 90
46043, Castiglione delle Stiviere (MN) – Italy

P. +39 0376 1514412
M1. info@coemar.com
M2. service@coemar.com
W. coemar.com

P.iva – C.f. 02415330204

