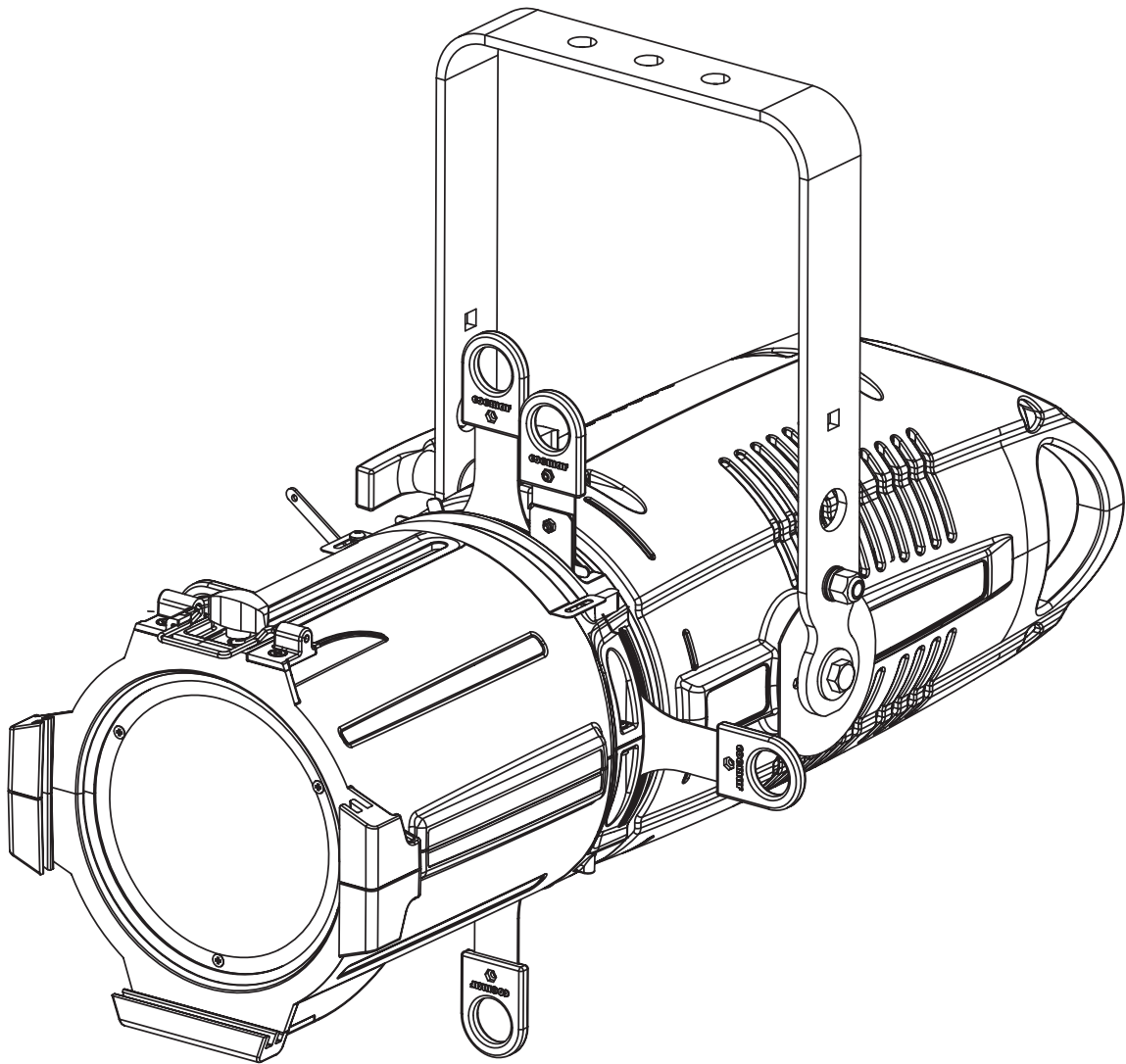


# LEDKO™

# FullSpectrum 2 + RGBL



**USER MANUAL**  
vrs. 1.2 - 26.08.2024

 **coemar**

© 2024 Coemar Lighting Srl. All rights reserved.

Information subject to change without notice. Coemar and all affiliated companies disclaim liability for any injury, damage, direct or indirect loss, consequential or economic loss or any other loss occasioned by the use of, inability to use or reliance on the information contained in this document. The Coemar logo, the Coemar name and all other trade-marks in this document pertaining to services or products by Coemar or its affiliates and subsidiaries are trademarks or licensed by Coemar or its affiliates or subsidiaries.

No part of this document may be used for distribution, reproduction, transmission, transcription, storage in a data retrieval system, or translated into any language in any form by any means without the prior written permission of Coemar ®. If you are downloading files from our web pages for your personal use, make sure to check for updated versions. Coemar ® cannot take any liability whatsoever for downloaded files, as technical data are subject to change without notice.

# Index

|   |         |
|---|---------|
| <b>1. Packaging and transportation</b> .....                          | Pag. 5  |
| 1.1 Packaging .....   | Pag. 5  |
| 1.2 Transportation .....  | Pag. 5  |
| <b>2. General information</b> .....                                   | Pag. 5  |
| 2.1 Safety informations.....  | Pag. 5  |
| 2.2 Warranty conditions.....  | Pag. 6  |
| 2.3 EC Norms .....  | Pag. 6  |
| <b>3. Product specifications</b> .....                                | Pag. 7  |
| 3.1 Technical characteristics.....                                    | Pag. 7  |
| 3.2 Dimensions.....   | Pag. 7  |
| 3.3 Weights and dimensions of the projector with various optics ..... | Pag. 8  |
| 3.4 Unit's main components .....                                      | Pag. 9  |
| 3.5 Back panel description.....                                       | Pag. 10 |
| <b>4. Installation</b> .....  | Pag. 11 |
| 4.1 Optical Installation.....   | Pag. 11 |
| 4.2 Mechanical installation.....                                      | Pag. 12 |
| 4.3 Safety chain.....   | Pag. 12 |
| 4.4 Adjusting unit's tilt.....  | Pag. 12 |
| <b>5. Powering up</b> .....   | Pag. 13 |
| 5.1 Operating voltage and frequency .....                             | Pag. 13 |
| 5.2 Connection to mains power.....                                    | Pag. 13 |
| <b>6. Control signal connections</b> .....                            | Pag. 14 |
| 6.1 Control signal connection by XLR5 plugs .....                     | Pag. 14 |
| <b>7. Turning on the projector</b> .....                              | Pag. 15 |
| 7.1 DMX address of the unit .....                                     | Pag. 15 |
| <b>8. DMX Chart</b> .....   | Pag. 17 |
| 8.1 DMX modes .....   | Pag. 17 |
| 8.2 DMX Chart 11, 8, 1 channels .....                                 | Pag. 18 |
| 8.3 DMX Chart RGBL mode .....   | Pag. 20 |
| 8.4 DMX Chart SUNRISE mode .....                                      | Pag. 21 |
| <b>9. Setup via RDM</b> .....   | Pag. 22 |
| 9.1 Quick guide to menu .....   | Pag. 22 |
| 9.2 RDM Chart .....   | Pag. 22 |
| 9.3 RDM Error Chart .....   | Pag. 23 |
| <b>10. Display panel functions</b> .....                              | Pag. 24 |
| 10.1 Quick guide to menu.....   | Pag. 24 |
| 10.2 Rapid count.....   | Pag. 24 |
| 10.3 Potentiometer Knob.....  | Pag. 24 |
| 10.4 Main functions menu.....   | Pag. 27 |
| 10.5 Settings .....   | Pag. 28 |
| 10.6 Display .....  | Pag. 30 |
| 10.7 Effects .....  | Pag. 31 |
| 10.8 Measures .....   | Pag. 33 |

|  |         |
|--|---------|
| <b>11. Wireless DMX Menu (OPTIONAL)</b> .....        | Pag. 35 |
| 11.1 Wireless DMX.....                               | Pag. 35 |
| <b>12. Special Function and Error Messages</b> ..... | Pag. 36 |
| 12.1 Special functions of the fixture .....          | Pag. 36 |
| 12.2 Error messages .....                            | Pag. 36 |
| <b>13. Accessories and Spare parts</b> .....         | Pag. 37 |
| <b>14. Maintenance</b> .....                         | Pag. 39 |
| 14.1 Firmware update.....                            | Pag. 39 |
| 14.2 Periodic cleaning.....                          | Pag. 39 |
| 14.3 Periodic controls.....                          | Pag. 39 |
| 14.4 Fuses.....                                      | Pag. 39 |
| <b>15. F.A.Q. and answers</b> .....                  | Pag. 40 |

Congratulations on having purchased a Coemar product. You have assured yourself of a fixture of the highest quality, both in componentry and in the technology used. We renew our invitation to you to complete the service information on the previous page, to expedite any request for service information or spares (in case of problems encountered either during, or subsequent to, installation). This information will assist in providing prompt and accurate advice from your Coemar service centre. Following the instructions and procedures outlined in this manual will ensure the maximum efficiency of this product for years to come.

# 1. Packaging and transportation

## 1.1 Packaging

Open the packaging and make sure that no part of the equipment has suffered any damage during the transportation. In case of damage to the fixture, contact your carrier and your supplier immediately by telephone, fax or e-mail, and inform them you will formally notify them in writing through registered letter.

### Packing list

Ensure the packaging contains:

1 - LEDko FullSpectrum 2 +

1 - Instruction manual

1 - Gobo holder

1 - 1.5 m power cable with PowerCON TRUE1 Top and bare ends

## 1.2 Transportation

The LEDko FullSpectrum 2 + should be transported in either its original packaging or in an appropriate flight case.

# 2. General information

## 2.1 Safety informations

### Fire prevention:



1. Never locate the fixture on any flammable surface.
2. Minimum distance from flammable materials: 0,5 m.
3. Minimum distance from the closet illuminable surface: 0,5 m.
4. Replace any blown or damaged fuse only with those of identical values. Refer to the schematic diagram if there is any doubt.
5. Connect the projector to mains power protected by a thermal magnetic circuit breaker.

### Prevention from electric shock:



1. Presence of high voltage inside of the fixture. Insulate the projector from mains supply before opening or performing any function which involves touching the inside of the fixture, including lamp replacement.
2. For the connection to the mains, adhere strictly to the guidelines outlined in this manual.

3. The level of technology of LEDko FullSpectrum 2 + requires the use of specialised personnel for all service applications; refer all work to your authorised Coemar service centre.
4. A good earth connection is essential for the proper functioning of the projector. Never connect the fixture if there is no earth connection.
5. Mains cables must not come into contact with other cables.
6. Do not operate the projector with wet hands or in an area where water is present.
7. The fixture must never be located in an exposed position, or in areas of extreme humidity.

### **Safety:**



1. The projector must always be installed with bolts, clamps, or other fixing devices which are suitably rated to support the weight of the projector.
2. Always use a secondary safety fixing device with chain or steel wire of a suitable rating to sustain the weight of the unit in case of failure of the principal fixing point.
3. The external surfaces of the unit, at various points, may reach 60°C. Never handle the unit until at least 10 minutes have elapsed since the LED was turned off.
4. Never install the fixture in an enclosed area lacking sufficient air flow; the room temperature must not exceed 40°C.
5. The projector contains electronic and electrical components which must under no circumstances be in contact with water, oil or any other liquid. Failure to do so will compromise the proper functioning of the projector.

### **Protection rating of the body against liquids and solids:**



1. The standard version of the fixture is classified ordinary apparatus; its protection grade against penetration by external agents, solid or liquid, is IP20.

---

## **2.2 Warranty conditions**

1. The fixture is under warranty for 24 months from the purchase date against factory defections.
2. Damage ought to unskillfulness, inappropriate use, or lack of suggested maintenance are excluded from the warranty.
3. Warranty expires when the projector is opened by unauthorized personnel.
4. Warranty doesn't include the replacement of the fixture.
5. Serial number and model of the fixture are necessary to retrieve informations and assistance from the dealer.

---

## **2.3 EC Norms**

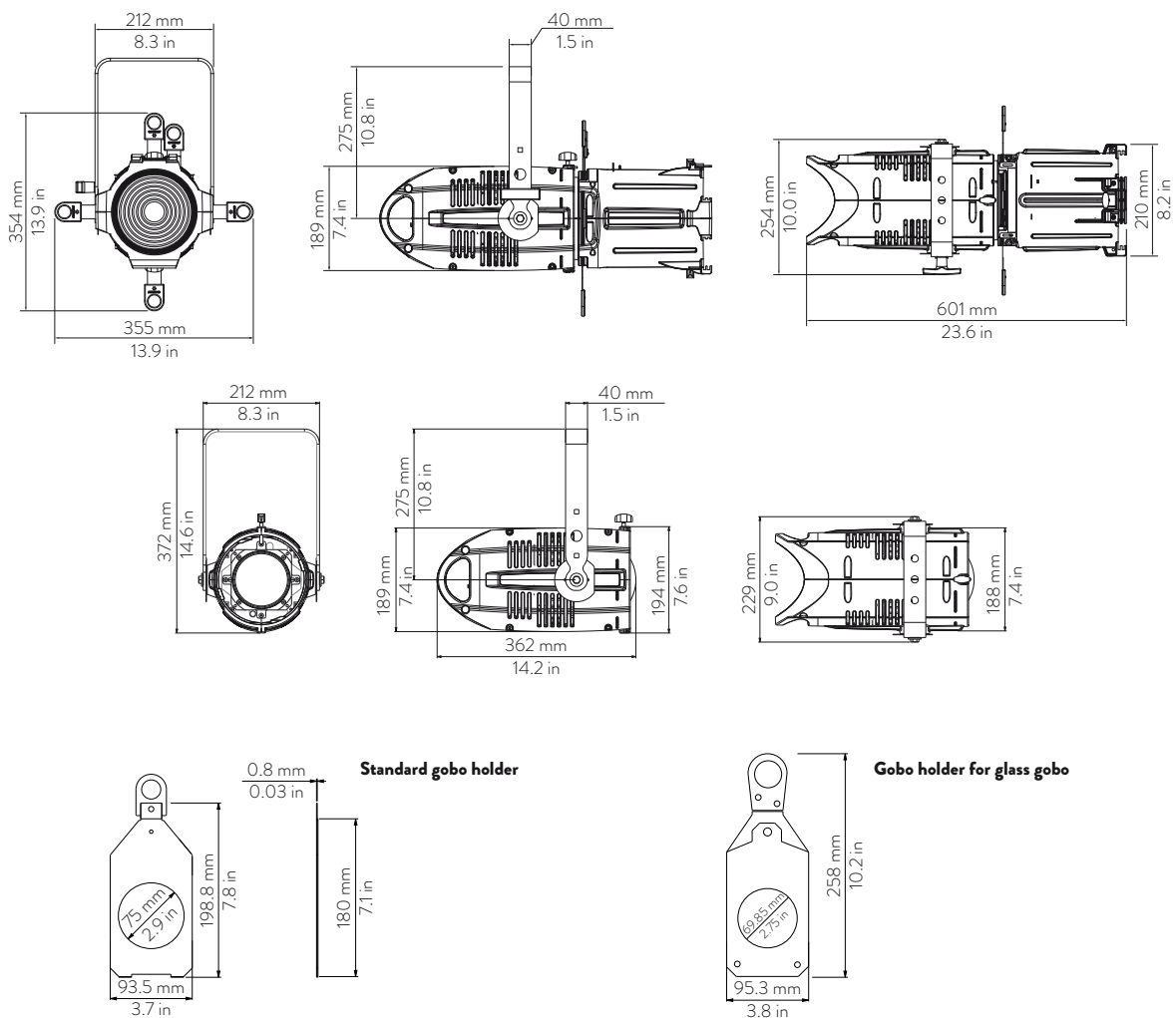
1. The fixture satisfies the essential requirements of the directive 2004/108/EC, 2006/95/EC, 2011/65/EC, 2002/96/EC & 2003/108/EC.
2. The fixture is in accordance with the standard EN 50419 (RoHS) and satisfies the requirements of the directive 2002/96/EC (WEEE).

# 3. Product specifications

## 3.1 Technical characteristics

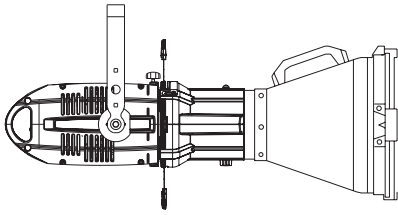
|                                    |   |
|------------------------------------|---|
| <b>Power supply</b>                | 90-264 V, 50/60 Hz, auto-sensing  |
| <b>Maximum current</b>             | 0.89 A at 230 V, 1.77 A at 115 V  |
| <b>Power factor</b>                | $\text{Cos}\varphi = 0.98$  |
| <b>Max power consumption</b>       | 200 W   |
| <b>Color temperature</b>           | RGBL, with pure color mixing throughout the field and all whites from 2.700 to 10.000 K |
| <b>Weight</b>                      | Body: 6 Kg / 13.23 lbs<br>With Profile Zoom 28°/40° optic: 8.5 Kg / 18.74 lbs           |
| <b>Maximum ambient temperature</b> | 0°C - +40°C / 32°F - 104°F  |
| <b>IP rating</b>                   | 20  |

## 3.2 Dimensions



\* with Soft Profile Fresnel optic

### 3.3 Weights and dimensions of the projector with various optics




---

**Optics**

Lens Tube Profile 10°

---

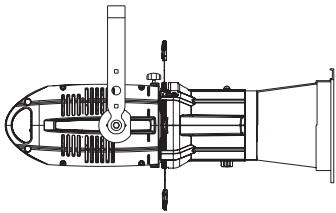
**Length**

900 mm (35.4 in)

---

**Weight**

9 Kg (19.8 lbs)




---

**Optics**

Lens Tube Profile 14°

Lens Tube Profile 70°

---

**Length**

750 mm (35.4 in)

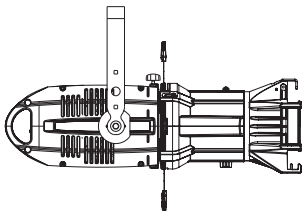
750 mm (35.4 in)

---

**Weight**

9 Kg (19.8 lbs)

8.68 Kg (19.14 lbs)




---

**Optics**

Lens Tube Profile 19°

Lens Tube Profile 26°

Lens Tube Profile 36°

Lens Tube Profile 50°

---

**Length**

670 mm (26.3 in)

670 mm (26.3 in)

670 mm (26.3 in)

670 mm (26.3 in)

---

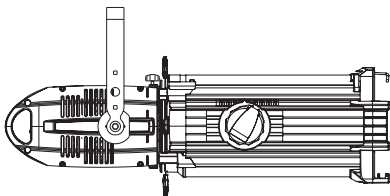
**Weight**

9.15 Kg (20.17 lbs)

9.05 Kg (19.95 lbs)

9.35 Kg (20.60 lbs)

9.05 Kg (19.95 lbs)




---

**Optics**

Profile Zoom 15°-35°

---

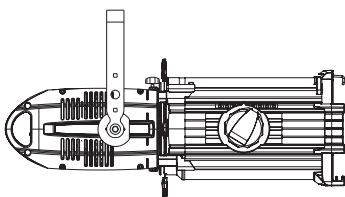
**Length**

886 mm (34.9 in)

---

**Weight**

13.05 Kg (28.77 lbs)




---

**Optics**

Profile Zoom 25°-50°

---

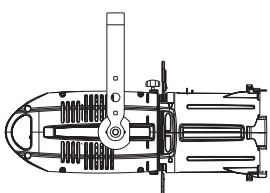
**Length**

783 mm (30.8 in)

---

**Weight**

11.2 Kg (24.69 lbs)




---

**Optics**

Profile Zoom 28°-40°

Soft Profile Fresnel

Zoom 14°-40°

Soft Profile PC

Zoom 11°-38°

---

**Length**

601 mm (23.7 in)

601 mm (23.7 in)

601 mm (23.7 in)

---

**Weight**

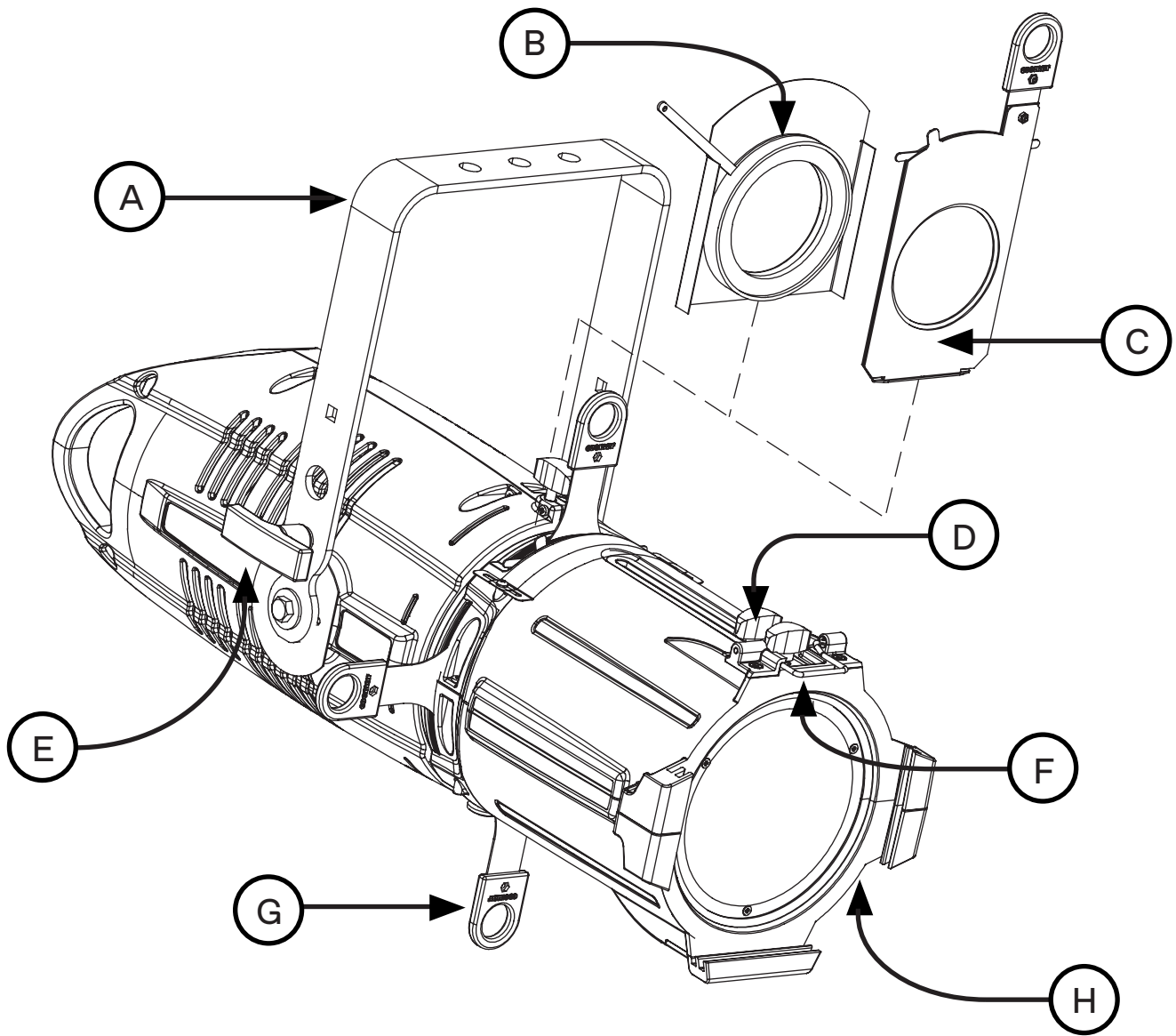
8.3 Kg (18.3 lbs)

7.75 Kg (17.09 lbs)

8.25 Kg (18.19 lbs)

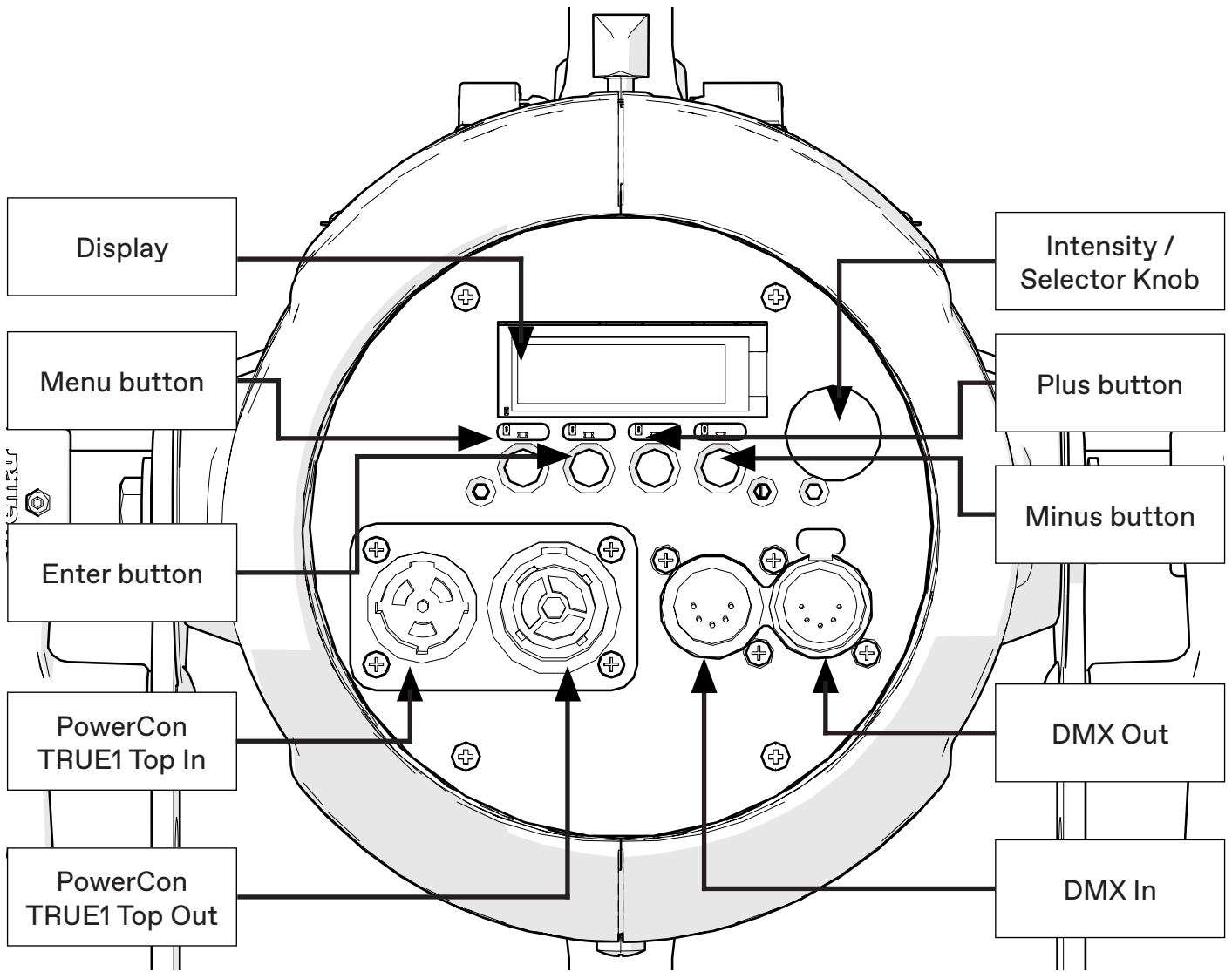


### 3.4 Unit's main components



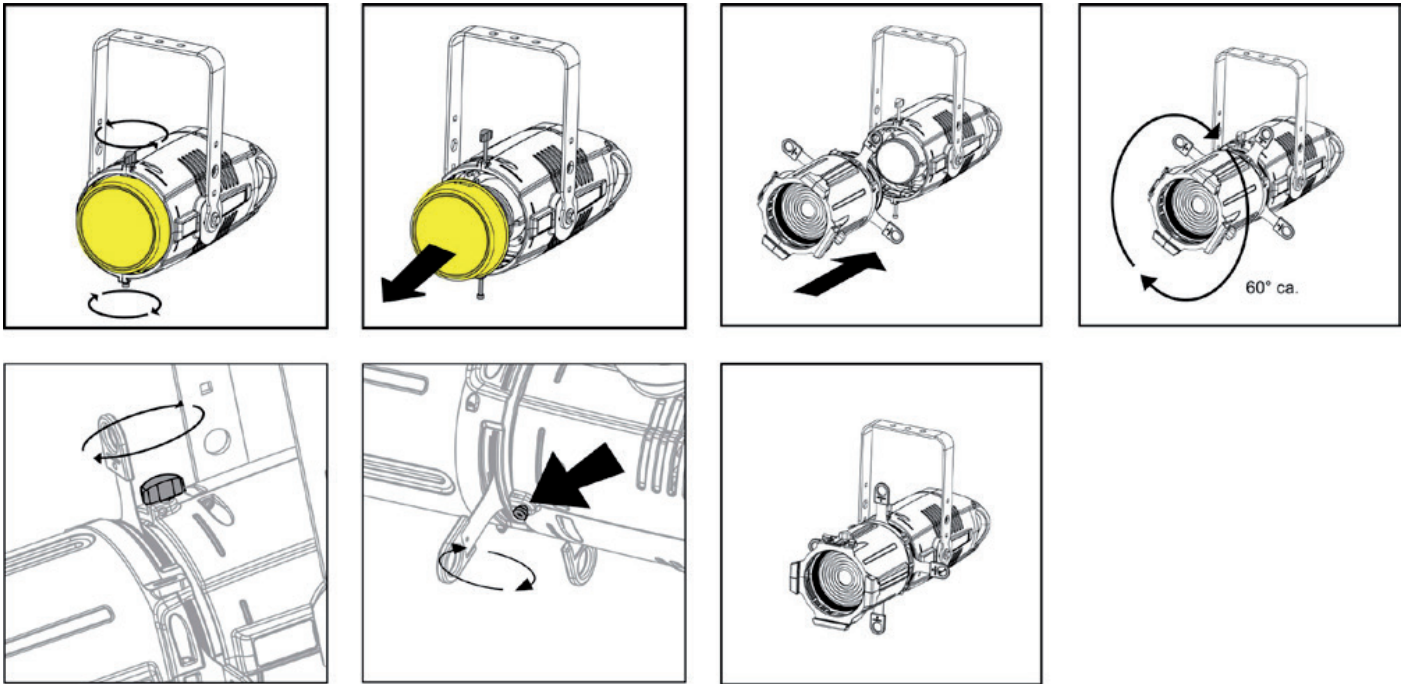
| Components description |                          |
|------------------------|--------------------------|
| A                      | Adjustable yoke          |
| B                      | Iris (optional)          |
| C                      | Gobo holder (included)   |
| D                      | Lens adjusting handles   |
| E                      | Yoke locking handle      |
| F                      | Gel frame locking spring |
| G                      | Profile blade            |
| H                      | Interchangeable optic    |

### 3.5 Back panel description



# 4. Installation

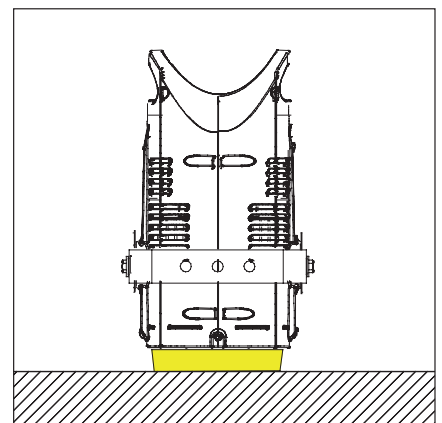
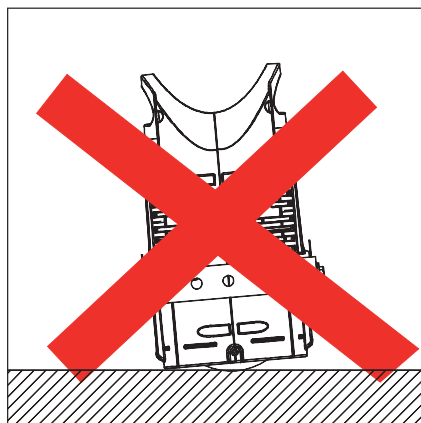
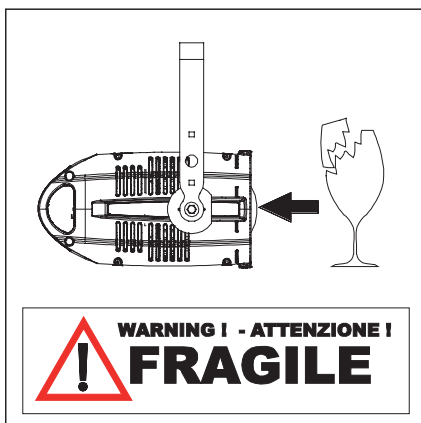
## 4.1 Optical installation



Remove the frontal cap by loosening the upper and lower screws enough to free the cap itself, set the optic's flange tilted about 60°. Insert the optic's flange into the body's receptacle and turn the optic 60° until it is firmly assembled to the projector body, free to rotate but not free to detach itself from the body. Ensure the optic to the body by tightening the two screws previously loosened.

### Warning!!

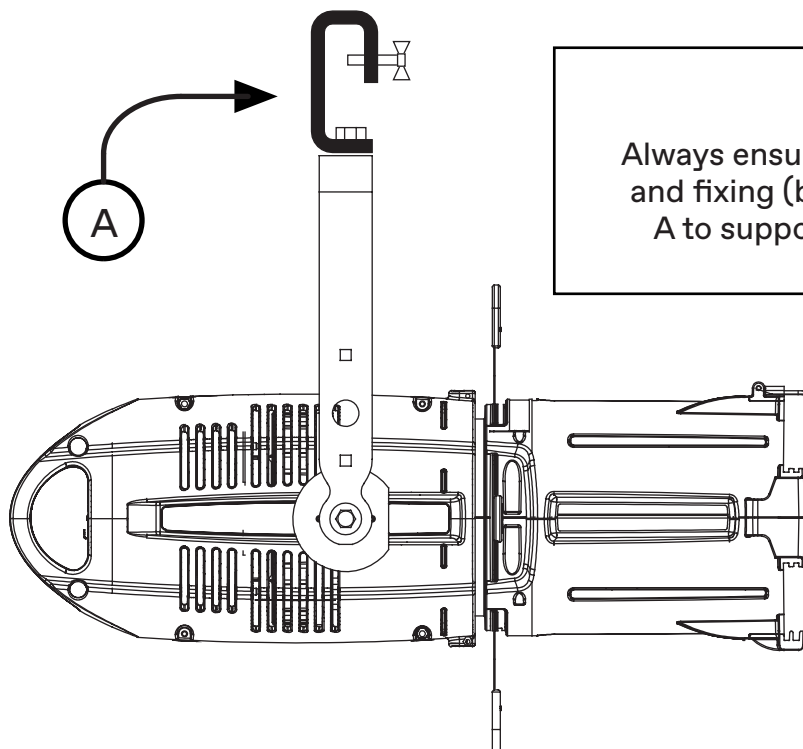
When the protective cap is removed, never lean the fixture facing down.  
The front lens can be seriously damaged.



---

## 4.2 Mechanical installation

LEDko FullSpectrum 2 + may be hung from an appropriate structure in any position or on tripod. If hanging the fixture from a lighting truss or similar, we recommend the use of an appropriate clamp "A", as shown in the following diagram.

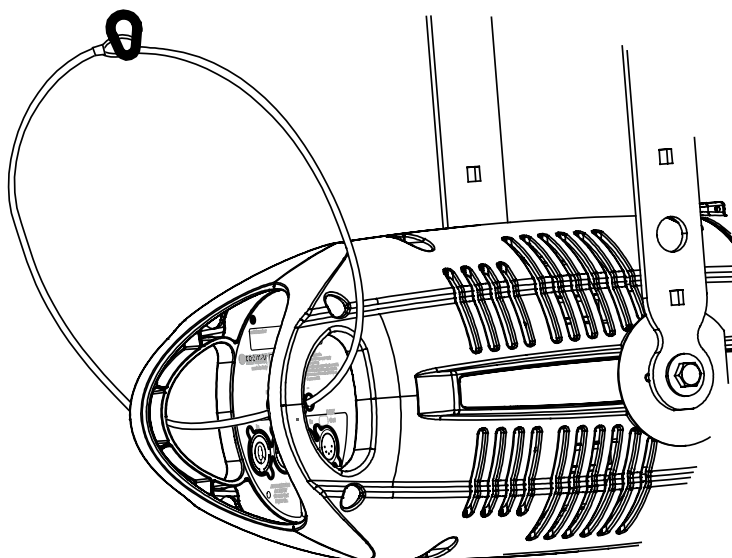


**Warning!!**  
Always ensure that your support structure and fixing (bolts, clamps, etc...) are rated A to support the weight of the fixture.

---

## 4.3 Safety chain

When hanging it is recommended to use a safety chain, as required by current legislation. The safety chain must pass through the handles of the unit and then attached to the structure. If using steel cables and chains not 's production, make sure they are suitable to support the weight of the unit according to normative UL/ETL (required: the weight of 6 complete devices for at least one hour).



---

## 4.4 Adjusting unit's tilt

In order to adjust the tilt of the unit simply loose the side handle adjust the tilt and lock the yoke by tightening the handle again.

# 5. Powering up

## 5.1 Operating voltage and frequency

The unit may operate at voltage ranges from 90 to 264 V at a frequency of 50 or 60 Hz. It is not needed to effect any setup procedures: **LEDko FullSpectrum 2 +** will automatically adjust its operation to suit any frequency or voltage within this range.

## 5.2 Connection to mains power

### Mains cable characteristics

The mains cable provided is thermally resistant, complying to the most recent International standards.

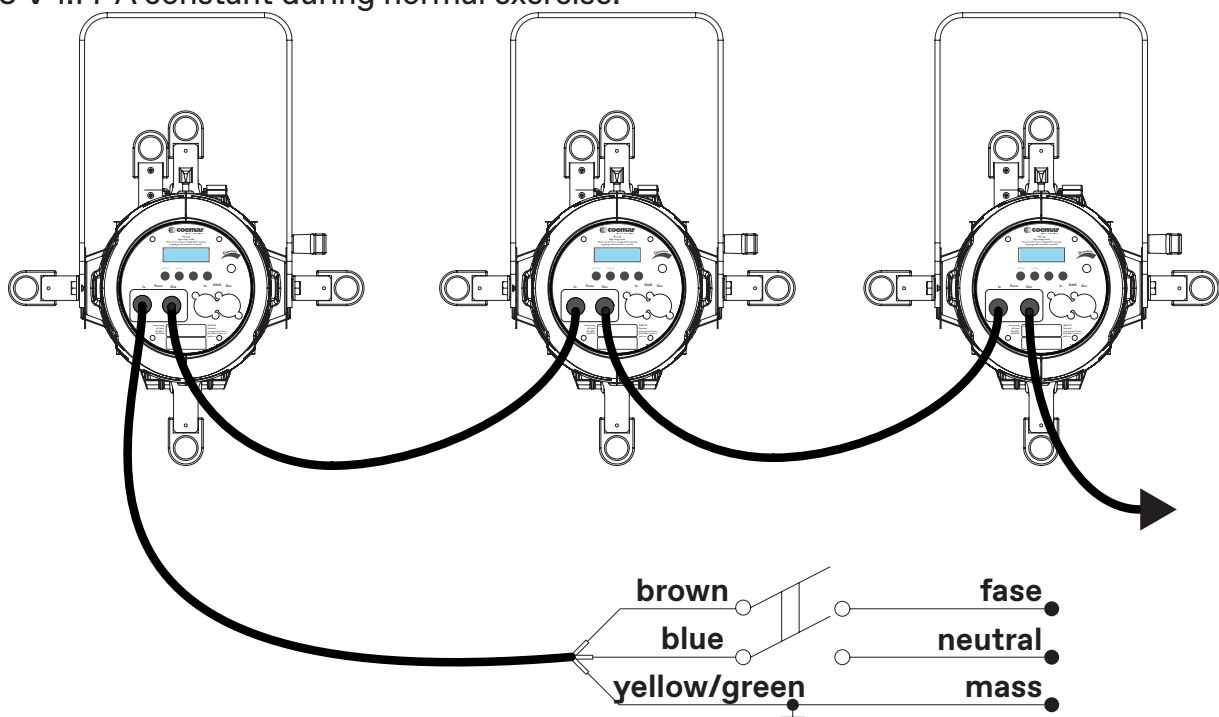
**Note:** in case of cable replacement, similar cable with comparable thermal resistant qualities must be used exclusively (cable 3 X 1,5  $\varnothing$  external 10 mm, rated 300/500V, tested to 2 KV, operating temperature -40°C + 180°C, Coemar cod. CV5311).

### Connection to mains power

**LEDko FullSpectrum 2 +** is equipped with two power connectors, one as input and one as output, which can be used to feed up to 8 (at 230 V) or 4 (at 115 V) fixtures.

The max absorption of **LEDko FullSpectrum 2 +** is reported in the following table:

- 230 V 0.89 A constant during normal exercise.
- 115 V 1.77 A constant during normal exercise.



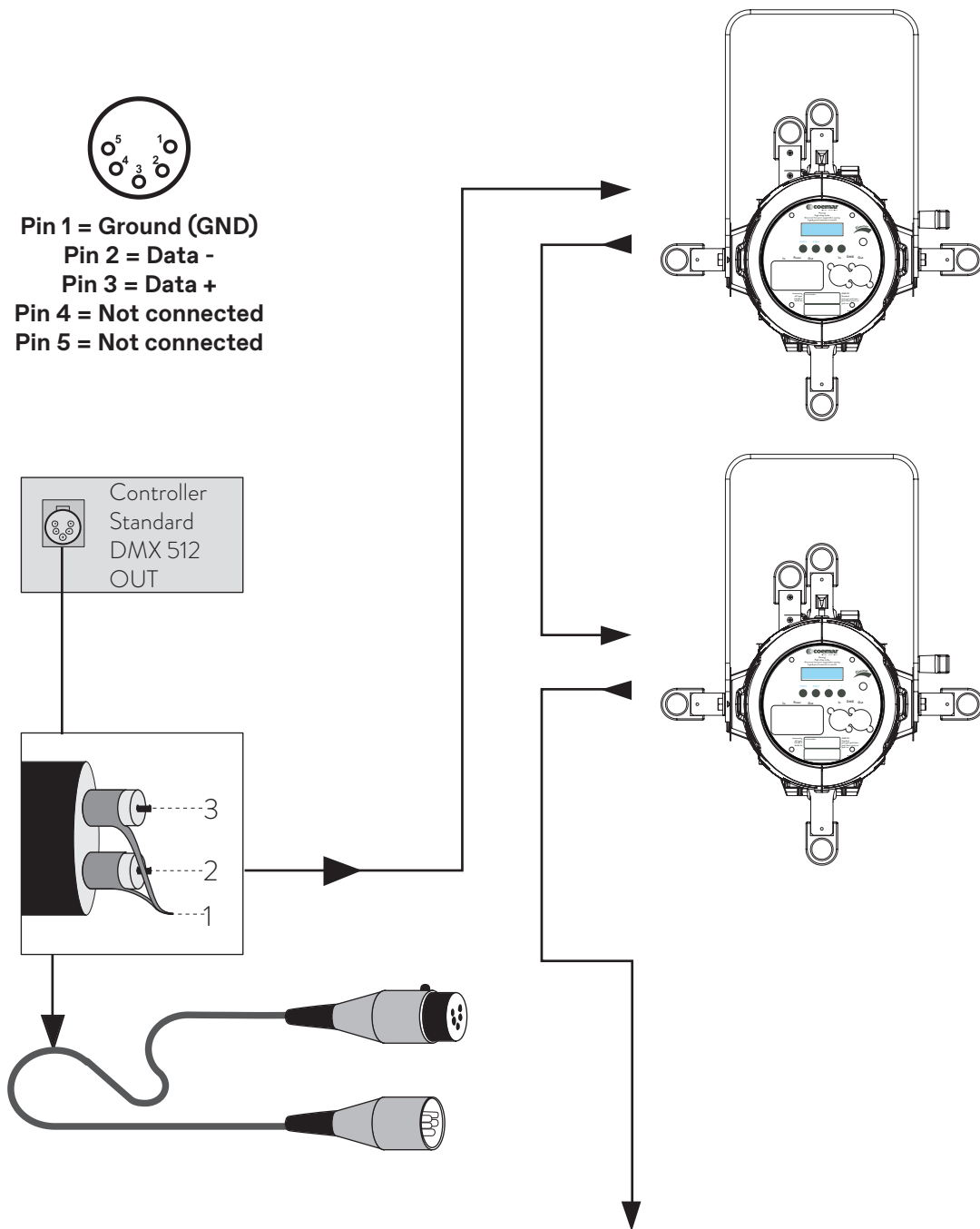
### Warning!!

- The use of a thermal/magnetic circuit breaker is recommended. Strict adherence to regulatory norms is strongly recommended.
- **LEDko +** should not be powered through a dimmer as this may damage the internal switching power supply.
- Prior to connecting the device to mains power, ensure that the mains characteristics are within the recommended range for the use of **LEDko +**.
- All cabling and connections should be carried out by a suitably qualified personnel.

# 6. Control signal connections

## 6.1 Control signal connection by XLR5 plugs

The digital control signal is transmitted to the projector via a two pole cable screened in according to the International standards for DMX 512 data transmission. The connection must be serial, using connectors XLR5 male and female located on the back of **LEDko FullSpectrum 2 +** labelled DMX512 IN e OUT.



### Warning!

Make sure that screening and conductors are not in contact one another or with the metal housing of the connector.

Pin#1 and housing must never be connected to the power supply unit.

# 7. Turning on the projector

After having followed the preceding steps described, proceed with the power supply and turn on the projector connecting it to the mains power.

The software version installed on the internal microprocessors will be shown on the display, suddenly it will show the current DMX addressing. If the address blinks, it means that the DMX signal has not been received. Check the connection cable and the mixer functioning.

---

## 7.1 DMX address of the unit

Each projector can use **11 / 8 / 1**, **RGBL mode** or **Sunrise mode** for its complete operation and is controlled by a DMX 512 signal.

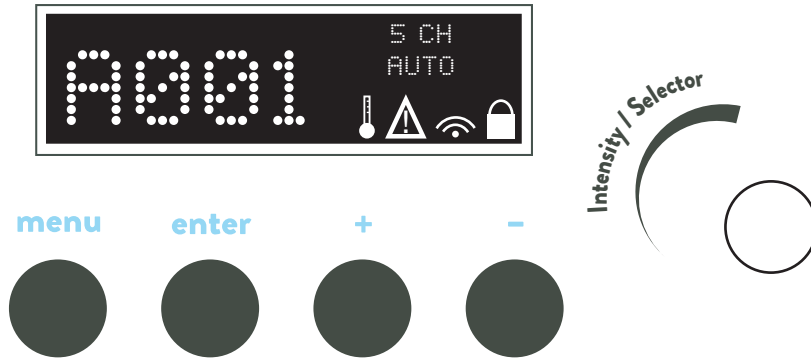
### DMX addressing





When powered up initially, each projector will show A001, which indicates DMX address 001; for example, when set at 14 channels a projector thus addressed will respond to commands of channel 1 to 14 from your DMX 512 controller. A second unit must be addressed as A015, a third one as A030 and so on. The operation must be carried out on every **LEDko FullSpectrum 2 +** which has an address different from A001.

### Altering the DMX address:

1. Press the + or – button until the display shows the required DMX address. The digits on the display will blink to indicate that the variation has not been registered.
2. Press the enter key to confirm your selection. The digits on the display panel will cease to blink and the projector will now respond to the new address.

**Note:** by holding the + or – button down the scrolling will be faster; thus allowing a faster selection



-  It means the projector has entered protection
-  It means there is an error, it flashes intermittently with address
-  Wireless DMX Enabled
-  The keys are locked

**Warning!!**  
If you alter the DMX address with no DMX signal connected, the digits on the display panel will continue to flash even after you have pressed ENTER button to confirm the address.



# 8. DMX chart

## 8.1 DMX modes

| DMX channels<br>↓ | 11 channels      | 8 channels       | 1 channel     | RGBL mode | Sunrise mode     |
|-------------------|------------------|------------------|---------------|-----------|------------------|
| 1                 | Master Dimmer    | Master Dimmer    | Master Dimmer | Red       | Master Dimmer    |
| 2                 | Red              | Red              |               | Green     | Dimmer Fine      |
| 3                 | Green            | Green            |               | Blue      | Proportional CCT |
| 4                 | Blue             | Blue             |               | Lime      | Step CCT         |
| 5                 | Lime             | Lime             |               |           | Green Saturation |
| 6                 | Strobe Effect    | Strobe Effect    |               |           |                  |
| 7                 | Dimmer Fine      | Dimmer Fine      |               |           |                  |
| 8                 | Special Function | Special Function |               |           |                  |
| 9                 | White Tone       |                  |               |           |                  |
| 10                | Green Saturation |                  |               |           |                  |
| 11                | Saturation       |                  |               |           |                  |

## 8.2 11, 8, 1 channels

| channel                               |  |       | function          | type of control | effect  | decimal |       | percentage |        |
|---------------------------------------|--|-------|-------------------|-----------------|---|---------|-------|------------|--------|
| 11                                    | 8                                      | 1     |                   |                 |   |         |       |            |        |
| 1                                     | 1                                      | 1     | master dimmer     | proportional    | adjust luminous output intensity from 0% to 100%  | 0       | - 255 | 0%         | - 100% |
| 2                                     | 2                                      | -     | red               | proportional    | proportional control of the color percentage from 0% to 100%                                      | 0       | - 255 | 0%         | - 100% |
| 3                                     | 3                                      | -     | green             | proportional    | proportional control of the color percentage from 0% to 100%                                      | 0       | - 255 | 0%         | - 100% |
| 4                                     | 4                                      | -     | blue              | proportional    | proportional control of the color percentage from 0% to 100%                                      | 0       | - 255 | 0%         | - 100% |
| 5                                     | 5                                      | -     | lime              | proportional    | proportional control of the color percentage from 0% to 100%                                      | 0       | - 255 | 0%         | - 100% |
| 6                                     | 6                                      | -     | strobe effect     | step            | no effect   | 0       | - 9   | 0%         | - 4%   |
|                                       |  |       |                   | proportional    | variable speed strobing effect, from slow to fast   | 10      | - 57  | 4%         | - 22%  |
|                                       |  |       |                   | step            | stop strobe   | 58      | - 59  | 23%        | - 23%  |
|                                       |  |       |                   | proportional    | sequenced pulsed strobe, slow closing, fast operating (variable speed pulsing, from slow to fast) | 60      | - 108 | 24%        | - 42%  |
|                                       |  |       |                   | step            | stop strobe   | 109     | - 110 | 43%        | - 43%  |
|                                       |  |       |                   | proportional    | sequenced pulsed strobe, fast closing, slow operating (variable speed pulsing, from slow to fast) | 111     | - 159 | 44%        | - 62%  |
|                                       |  |       |                   | step            | stop strobe   | 160     | - 161 | 63%        | - 63%  |
|                                       |  |       |                   | proportional    | random strobe effect with variable speed from slow to fast and synchronized colors                | 162     | - 207 | 64%        | - 81%  |
|                                       |  |       |                   | step            | stop strobe   | 208     | - 209 | 82%        | - 82%  |
|                                       |  |       |                   | proportional    | random strobe effect with variable speed from slow to fast and non-synchronized colors            | 210     | - 255 | 82%        | - 100% |
| 7                                     | 7                                      | -     | dimmer fine       | proportional    | fine dimmer control 16 bit  | 0       | - 255 | 0%         | - 100% |
| 8                                     | 8                                      | -     | special functions | step            | park  | 0       | - 9   | 0%         | - 4%   |
|                                       |  |       |                   |                 | 600 Hz  | 10      | - 22  | 4%         | - 9%   |
|                                       |  |       |                   |                 | no effect   | 23      | - 84  | 9%         | - 33%  |
|                                       |  |       |                   |                 | fan at SILENT mode  | 85      | - 96  | 33%        | - 38%  |
|                                       |  |       |                   |                 | fan at STUDIO mode  | 97      | - 108 | 38%        | - 42%  |
|                                       |  |       |                   |                 | fan at AUTO mode  | 109     | - 120 | 43%        | - 47%  |
|                                       |  |       |                   | proportional    | fan speed control   | 121     | - 133 | 47%        | - 52%  |
|                                       |  |       |                   | step            | enables the automatic display blackout  | 134     | - 185 | 53%        | - 73%  |
|                                       |  |       |                   |                 | disables the automatic display blackout   | 186     | - 199 | 73%        | - 78%  |
|                                       |  |       |                   |                 | LED control frequency tuning 1.500 Hz   | 200     | - 205 | 78%        | - 80%  |
| LED control frequency tuning 2.000 Hz | 206                                    | - 211 | 81%               |                 | - 83%   |         |       |            |        |
|                                       | LED control frequency tuning 5.000 Hz  | 212   | - 217             | 83%             | - 85%   |         |       |            |        |
|                                       | no effect                              | 218   | - 240             | 85%             | - 94%   |         |       |            |        |
|                                       | LED control frequency tuning 20.000 Hz | 241   | - 255             | 95%             | - 100%  |         |       |            |        |

|              |   |     |                  |              |   |     |      |     |      |   |      |
|--------------|---|-----|------------------|--------------|---|-----|------|-----|------|---|------|
| 9            | -   | -   | white tone       | step         | no effect   | 0   | -    | 9   | 0%   | - | 4%   |
|              |   |     |                  |              | 2.700 K   | 10  | -    | 15  | 4%   | - | 6%   |
|              |   |     |                  | proportional | proportional value from 2.700 to 3.200 K                                    | 16  | -    | 30  | 6%   | - | 12%  |
|              |   |     |                  | step         | 3.200 K   | 31  | -    | 45  | 12%  | - | 18%  |
|              |   |     |                  | proportional | proportional value from 3.200 to 4.000 K                                    | 46  | -    | 60  | 18%  | - | 24%  |
|              |   |     |                  | step         | 4.000 K   | 61  | -    | 75  | 24%  | - | 29%  |
|              |   |     |                  | proportional | proportional value from 4.000 to 5.000 K                                    | 76  | -    | 90  | 30%  | - | 35%  |
|              |   |     |                  | step         | 5.000 K   | 91  | -    | 105 | 36%  | - | 41%  |
|              |   |     |                  | proportional | proportional value from 5.000 to 5.600 K                                    | 106 | -    | 120 | 42%  | - | 47%  |
|              |   |     |                  | step         | 5.600 K   | 121 | -    | 135 | 47%  | - | 53%  |
|              |   |     |                  | proportional | proportional value from 5.600 to 7.000 K                                    | 136 | -    | 10  | 53%  | - | 59%  |
|              |   |     |                  | step         | 7.000 K   | 151 | -    | 165 | 59%  | - | 65%  |
|              |   |     |                  | proportional | proportional value from 7.000 to 8.000 K                                    | 166 | -    | 180 | 65%  | - | 71%  |
|              |   |     |                  | step         | 8.000 K   | 181 | -    | 195 | 71%  | - | 76%  |
| proportional | proportional value from 8.000 to 9.000 K  | 196 | -                | 210          | 77%   | -   | 82%  |     |      |   |      |
| step         | 9.000 K                                   | 211 | -                | 225          | 83%   | -   | 88%  |     |      |   |      |
| proportional | proportional value from 9.000 to 10.000 K | 226 | -                | 240          | 89%   | -   | 94%  |     |      |   |      |
| step         | 10.000 K                                  | 241 | -                | 255          | 95%   | -   | 100% |     |      |   |      |
| 10           | -   | -   | green saturation | step         | no effect   | 0   |      |     | 0%   |   |      |
|              |   |     |                  | proportional | exalts the green color in the mixing and diminishes the presence of magenta | 1   | -    | 127 | 0%   | - | 50%  |
|              |   |     |                  | step         | no effect   | 128 |      |     | 50%  |   |      |
|              |   |     |                  | proportional | diminishes the presence of green in the mixing and exalts the green color   | 129 | -    | 254 | 51%  | - | 99%  |
|              |   |     |                  | step         | no effect   | 255 |      |     | 100% |   |      |
| 11           | -   | -   | saturation       | proportional | the white tone fades to the tone built with the RGBL channels               | 0   | -    | 255 | 0%   | - | 100% |

**Note 1:** the one channel function mode can be selected through the DMX function menu. The color of the light will be a white 5.600 K.

**Note 2:** the rest position of the +-green DMX channel is 128. Diminishing the DMX value augments the presence of the green color. Increasing the DMX value augments the presence of magenta

**Note 3:** increasing the value of the Saturation DMX channel the white light will fade to the color selected with the Color Wheel DMX channel.

## 8.3 RGBL mode

| channel<br>4 | function | type of<br>control | effect  | decimal | percentage |
|--------------|----------|--------------------|---|---------|------------|
| 1            | red      | proportional       | proportional control of the color<br>percentage from 0% to 100% | 0 - 255 | 0% - 100%  |
| 2            | green    | proportional       | proportional control of the color<br>percentage from 0% to 100% | 0 - 255 | 0% - 100%  |
| 3            | blue     | proportional       | proportional control of the color<br>percentage from 0% to 100% | 0 - 255 | 0% - 100%  |
| 4            | lime     | proportional       | proportional control of the color<br>percentage from 0% to 100% | 0 - 255 | 0% - 100%  |

## 8.4 Sunrise mode

| channel  | function          | type of control | effect  | decimal   | percentage |
|----------|-------------------|-----------------|---|-----------|------------|
| 1        | master dimmer     | proportional    | adjust luminous output intensity from 0 to 100%                             | 0 - 255   | 0% - 100%  |
| 2        | dimmer fine       | proportional    | fine dimmer control 16 bit  | 0 - 255   | 0% - 100%  |
| 3        | proportional CCT  | proportional    | 2.700 K   | 0         | 0%         |
|          |                   |                 | proportional value from 2.700 K to 4000 K                                   | 1 - 44    | 0% - 17%   |
|          |                   |                 | 4.000 K   | 45        | 18%        |
|          |                   |                 | proportional value from 4.000 to 5.000 K                                    | 46 - 79   | 18% - 31%  |
|          |                   |                 | 5.000 K   | 80        | 31%        |
|          |                   |                 | proportional value from 5.000 to 5.600 K                                    | 81 - 100  | 32% - 39%  |
|          |                   |                 | 5.600 K   | 101       | 40%        |
| 4        | step CCT          | step            | 10.000 K  | 102 - 254 | 40% - 100% |
|          |                   |                 | 10.000 K  | 255       | 100%       |
|          |                   |                 | no effect   | 0 - 9     | 0% - 4%    |
|          |                   |                 | 2.700 K   | 10 - 36   | 4% - 14%   |
|          |                   |                 | 3.200 K   | 37 - 63   | 15% - 25%  |
|          |                   |                 | 4.000 K   | 64 - 90   | 25% - 35%  |
|          |                   |                 | 5.000 K   | 91 - 117  | 36% - 46%  |
|          |                   |                 | 5.600 K   | 118 - 144 | 46% - 56%  |
|          |                   |                 | 7.000 K   | 145 - 171 | 57% - 67%  |
| 8.000 K  | 172 - 198         | 67% - 78%       |   |           |            |
| 9.000 K  | 199 - 225         | 78% - 88%       |   |           |            |
| 10.000 K | 226 - 255         | 89% - 100%      |   |           |            |
| 5        | green saturation  | step            | no effect   | 0         | 0%         |
|          |                   | proportional    | exalts the green color in the mixing and diminishes the presence of magenta | 1 - 127   | 0% - 50%   |
|          |                   | step            | no effect   | 128       | 50%        |
|          |                   | proportional    | diminishes the presence of green in the mixing and exalts the green color   | 129 - 254 | 51% - 99%  |
|          |                   | step            | no effect   | 255       | 100%       |
| 6        | special functions | step            | park  | 0 - 9     | 0% - 4%    |
|          |                   |                 | 600 Hz  | 10 - 22   | 4% - 9%    |
|          |                   |                 | no effect   | 23 - 84   | 9% - 33%   |
|          |                   |                 | fan at SILENT mode  | 85 - 96   | 33% - 38%  |
|          |                   |                 | fan at STUDIO mode  | 97 - 108  | 38% - 42%  |
|          |                   |                 | fan at AUTO mode  | 109 - 120 | 43% - 47%  |
|          |                   |                 | fan speed control   | 121 - 133 | 47% - 52%  |
|          |                   |                 | enables the automatic display blackout                                      | 134 - 185 | 53% - 73%  |
|          |                   |                 | disables the automatic display blackout                                     | 186 - 199 | 73% - 78%  |
|          |                   |                 | LED control frequency tuning 1.500 Hz                                       | 200 - 205 | 78% - 80%  |
|          |                   |                 | LED control frequency tuning 2.000 Hz                                       | 206 - 211 | 81% - 83%  |
|          |                   |                 | LED control frequency tuning 5.000 Hz                                       | 212 - 217 | 83% - 85%  |
|          |                   |                 | no effect   | 218 - 240 | 85% - 94%  |
|          |                   |                 | LED control frequency tuning 20.000 Hz                                      | 241 - 255 | 95% - 100% |

**Note 1:** If channels 3 and 4 are used simultaneously, channel 4 prevails.

# 9. Setup via RDM

## 9.1 Quick guide to menu

The LEDko FullSpectrum 2 + required RDM (Remote Device Management) to set up fixtures. Using an RDM compliant DMX controller, you can communicate with all the fixtures on a data link without needing to connect to each fixture individually. RDM lets you set the DMX addresses of all the fixtures on the link, carry out fixture configuration and retrieve fixture data including details of any error that has been logged. If two or more identical fixtures are set up with the same DMX address and in the same DMX mode, they will receive the same instructions and behave identically. Setting up identical fixtures with the same address is a good tool for troubleshooting unexpected behavior and an easy way to achieve synchronized action. Setting DMX addresses via RDM involves running a scan to identify the fixtures that are present on the data link and then allocating addresses either automatically or manually.

To use RDM:

1. Obtain an RDM-compatible controller such as the RDM UPGRADE INTERFACE B (cod. AC10011A001) application running on a Windows PC.
2. Use a USB cable to connect the PC to a USB/DMX interface box
3. Connect the interface box to the data link.
4. Power the fixture on and carry out an RDM discovery / scan in your RDM-compatible controller.
5. You can then configure or retrieve data from the fixtures on the data link.

## 9.2 RDM Chart

| PARAMETER       | DESCRIPTION  |
|-----------------|--|
| DMX ADDRESS     | Set DMX Address: (1-512)   |
| CURVE           | Set Dimming Curve: Linear, Logarithmic, Exponential, Halogen, Standard |
| FREQUENCY       | From 600 to 20.000 Hz  |
| LOCK PIN        | Set Lock Pin   |
| LOCK STATE      | Set Screen Lock  |
| FACTORY DEFAULT | Factory Reset  |
| PERSONALITY     | Set Personality: 11 / 8 / 1 / RGBL mode / Sunrise mode                 |
| SENSOR          | Visualize Sensor   |
| LED HOURS       | Visualize Led Life Hours   |
| DEVICE HOURS    | Visualize Device Life Hours  |

### 9.3 RDM Error Chart

| ERROR     | DESCRIPTION                        | SOLUTION  |
|-----------|------------------------------------|---|
| MEMORY    | Memory Reading Error               | Perform A "Factory Reset"   |
| HW MEMORY | Memory Hardware Error              | Contact Coemar  |
| DMX ADDR  | DMX Addressing Error               | The Personality Dimension Exceeds 512 Channels  |
| NTC ERROR | Temperature Sensor Disconnected    | Check Wiring NTC Led  |
| SHORT NTC | Short-Circuited Temperature Sensor | Check Wiring NTC Led  |
| OVER TEMP | Electronic Board Overtemperature   | Ambient temperature too high, place the projector in an environment with temperature below 40°C |

# 10. Display panel functions

## 10.1 Quick guide to menu

To access the functions menus just press the MENU button. Then press + or – buttons to scroll the pages and press the ENTER button to access to any other function.

By suitably using all the functions of **LEDko FullSpectrum 2 +**, which can be activated through its display panel, it is possible to change some of the parameters and to add some functions. Changing the preset settings made by Coemar can vary the functions of the projector so that it will respond differently to the controller; therefore carefully read about the functions described here before carrying out any possible selection.

## 10.2 Rapid count

Through the display panel of **LEDko FullSpectrum 2 +** it is possible to quickly change the various numbers displayed for the different functions in the following 3 manners:

1. Pressing the + or – buttons will cause the count to be quicker.
2. Pressing first + and then – and then holding them down simultaneously will cause the numbers to jump to the highest value.
3. Pressing first – and then + and then holding them down simultaneously will cause the number to jump to the lowest value.

## 10.3 On-board selector

In order to change quickly the CCT, the colors and many other settings, you can use the “**Intensity / Selector Knob**”; for example to change the CCT push the “**Intensity / Selector Knob**” you will see the CCT displayed and scroll to the CCT desired (from 2.700 K to 10.000 K), push the “**Intensity / Selector Knob**” and a new screen will appear on the display where you can chose the light intensity from 0 to 255, once decided push again the “**Intensity / Selector Knob**”.

**QUICK START MODE:** If you push the “**Intensity / Selector Knob**” when it is displayed the DMX address, it will open the fast menu. In this case you can choose the CCT, once selected push again the “**Intensity / Selector Knob**” and than choose the light intensity from 0 to 255.



This will be the first screen that will appear on the display once the projector is turned on. To change the DMX address press the “+” button and chose the DMX address desired.

N.B. If the projector is not connected to the DMX signal, A001 will blink intermittently

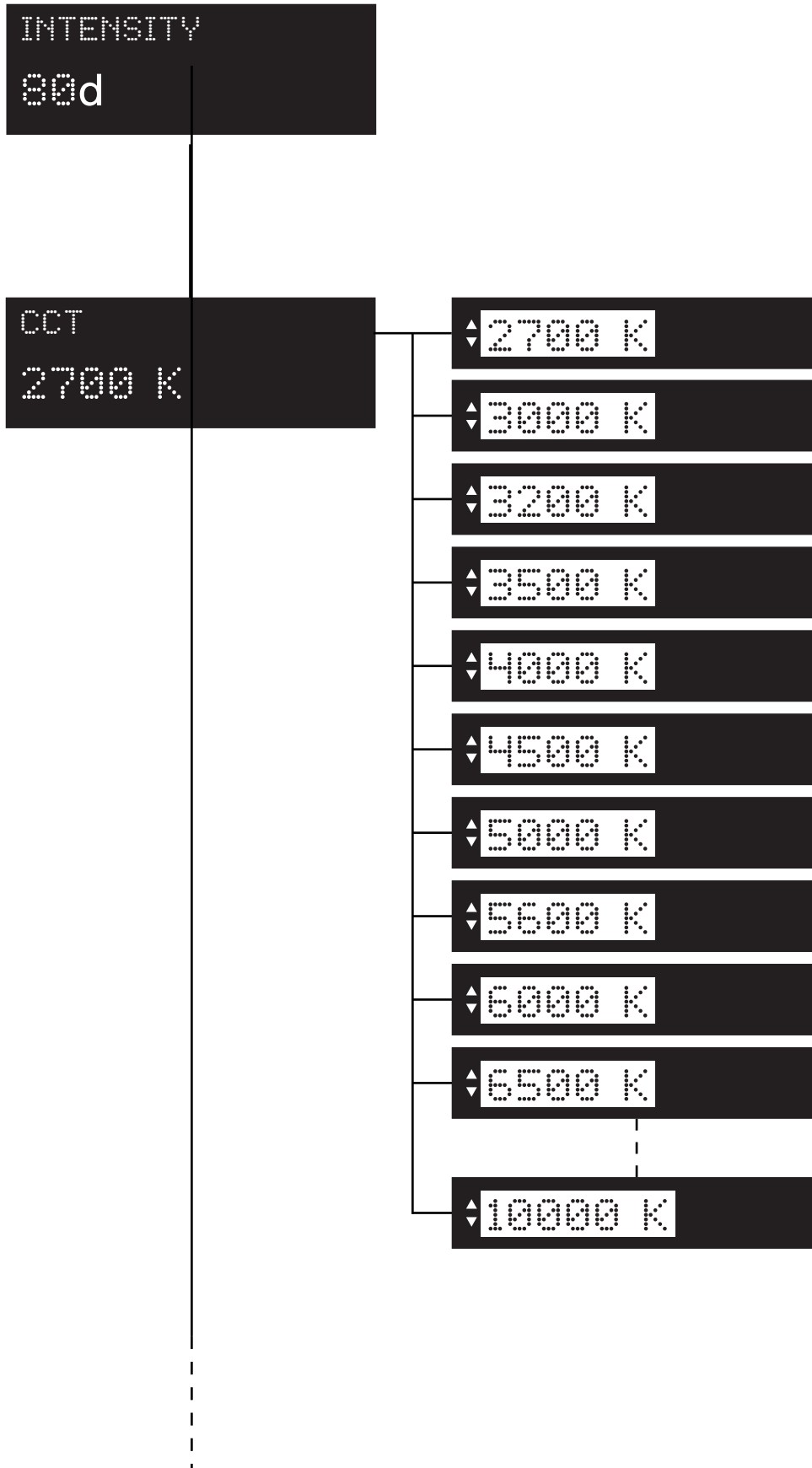


## 10.4 Main functions menu

By pressing the “MENU” button you can enter the **LEDko FullSpectrum 2 +** main menu.

N.B. Instead of use the “+”, “-” or “ENTER” buttons it is possible to use the “**Intensity / Selector Knob**” by rotating it.

Rotate the “**Intensity / Selector Knob**” in clockwise sense to replicate the “+” button, in counterclockwise sense to replicate the “-” button or push it to replicate the “ENTER” button.

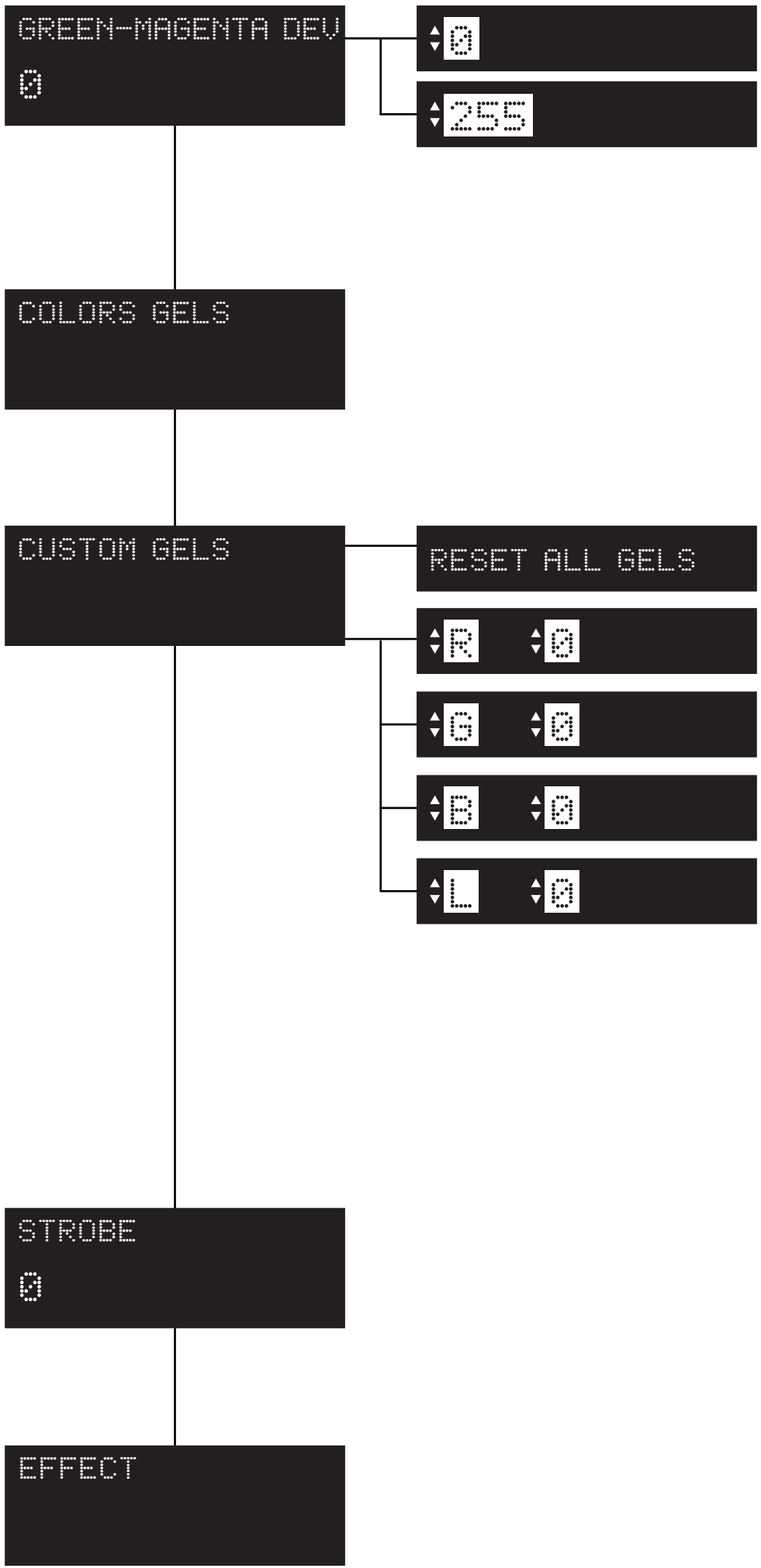


### INTENSITY:

Allows to adjust the luminous output intensity from 0 to 255 (d: decimal units).

### CCT:

This channel offers a preset library of various white CCT with a range that goes from 2.700 K and up to 10.000 K, manually selectable without the need of a DMX console.



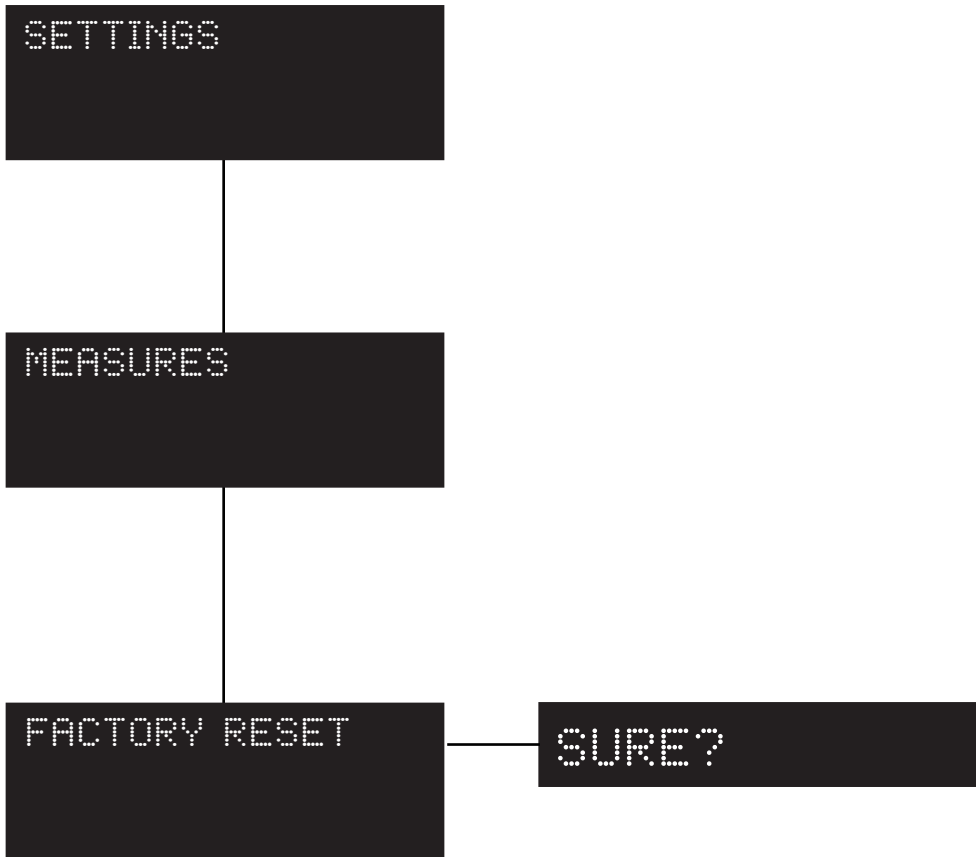
**GREEN-MAGENTA DEV:**  
 Allows to adjust the luminous output intensity from 0 to 255 (d: decimal units).

**COLOR GELS:**  
 All the gels presets will appear under this menu.

**CUSTOM GELS:**  
 This settings allows you to create your own custom gel by mixing the six color at your will. Every color is adjustable from 0 to 255.

**STROBE:**  
 Manually sets the strobe DMX channel.

**EFFECTS:**  
 Effects settings (section EFFECTS).

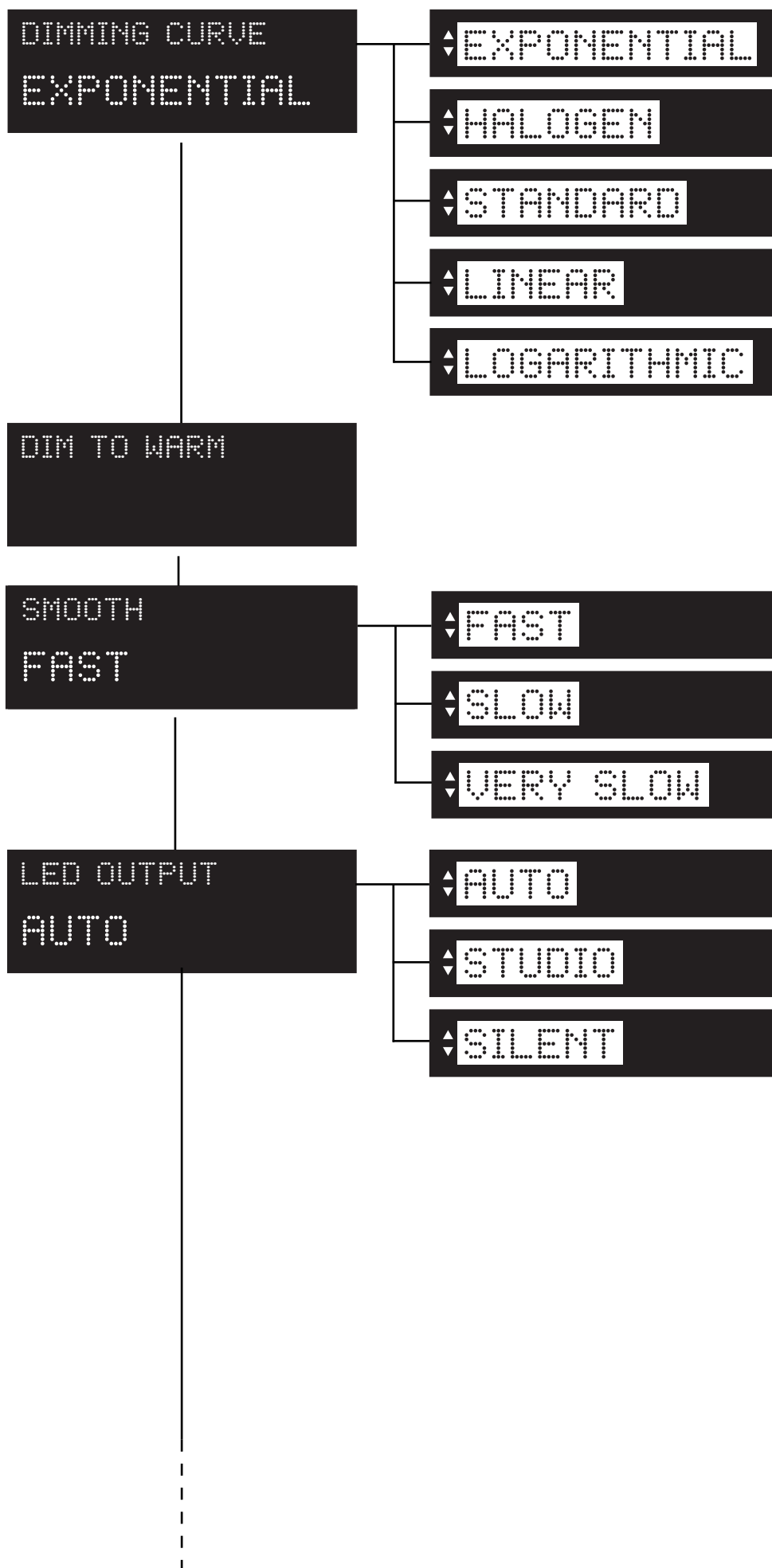


**SETTINGS:**  
Manually sets various settings of the projector (section **SETTINGS**).

**MEASURES:**  
Check all the measures and product status (section **MEASURES**).

**FACTORY RESET:**  
Allows to return to the factory settings:  
Light Intensity: 80  
DMX Channels: 16  
Fan: Auto mode.

## 10.5 Settings



### DIMMING CURVE:

It allows the selection of different dimmer curves: exponential (default), halogen, standard, linear and logarithmic.

### DIM TO WARM:

Inserts a softening of the dimmer dynamics and red shift. It works for all the CCTs.

### SMOOTH:

Allows to change the speed of every dimming curve between **FAST** (standard), **SLOW**, **VERY SLOW**. (Firmware version: 0.76 or following)

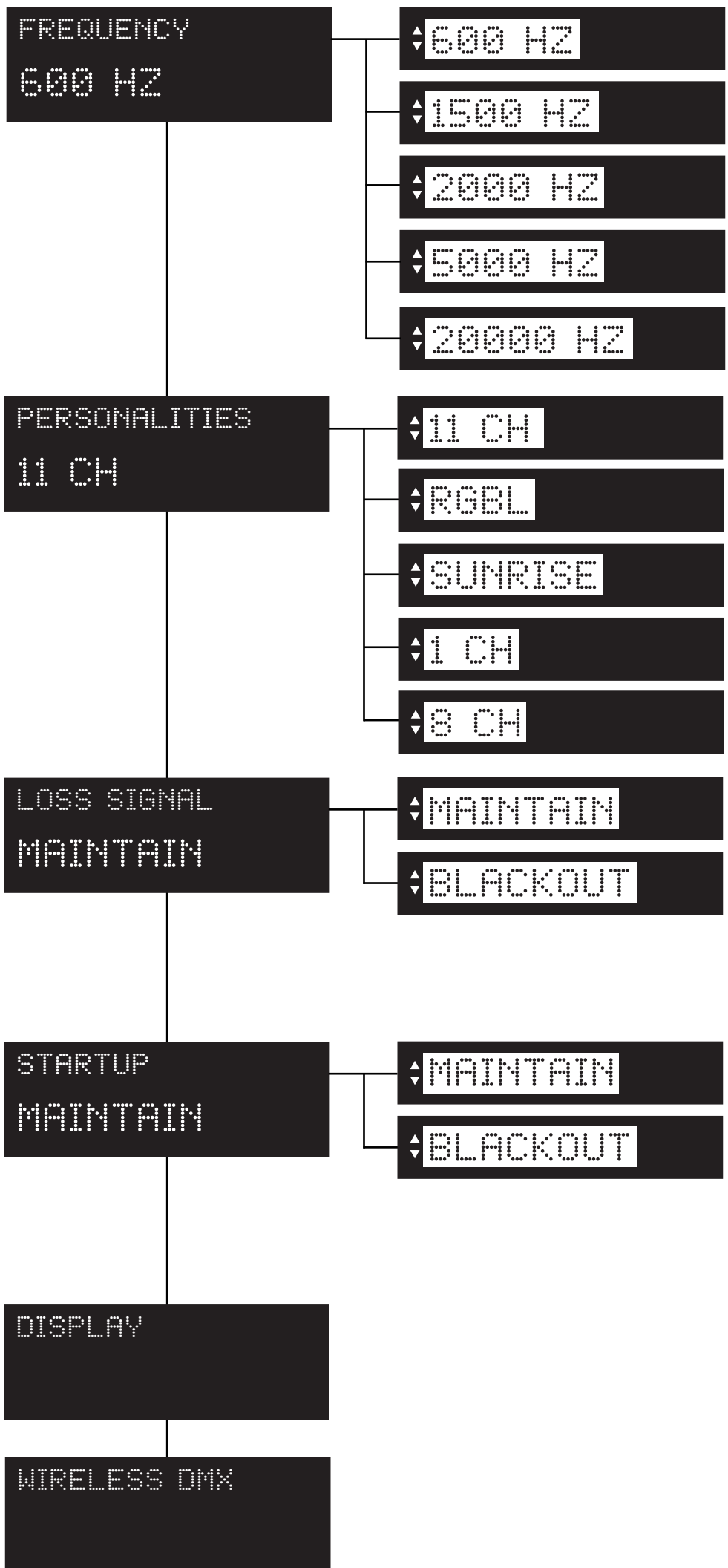
### LED OUTPUT:

Manually sets the fan mode.

**AUTO (default):** Fan with automatic operating speed to guarantee maximum light output in all conditions of use, ideal for live events, exhibitions and architectural installations.

**STUDIO:** Fan at automatic operation speed with limited speed to guarantee silent operation of the product (moderately limited light output, will decrease in case of overheat) ideal for broadcast or theatre applications.

**SILENT:** This setting will keep the speed of the fan at the minimum level (moderately limited light output, will decrease in case of overheat) ideal for environments that require maximum silence.



**FREQUENCY:**  
Shows the operating frequency of the LED (600 Hz as default).

**PERSONALITIES:**  
It is possible to choose between **11**, **RGBL**, **SUNRISE**, **1** or **8** modalities, in which the projector will operate.

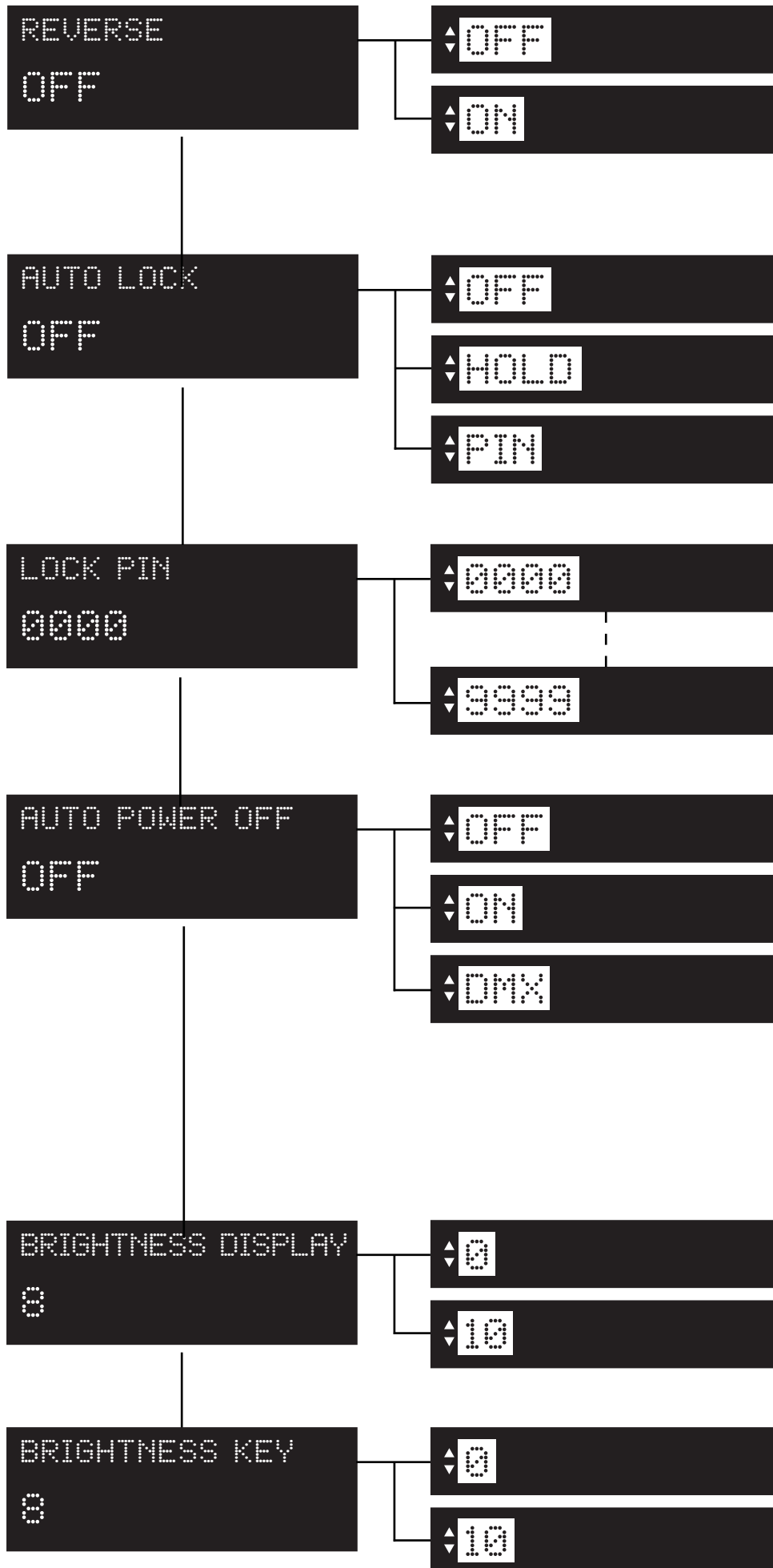
**LOSS SIGNAL:**  
It is possible to choose between “maintain” (this function allows to keep the settings even in case of **LOSS SIGNAL**) and “blackout” (in case of **LOSS SIGNAL**, the projector will go into blackout).

**STARTUP:**  
It is possible to choose between “maintain” (this function allows to keep the settings in case of **STARTUP**) and “blackout” (in case of **STARTUP**, the projector will go into blackout).

**DISPLAY:**  
Display settings (section **DISPLAY**).

**WIRELESS DMX (OPTIONAL):**  
Wireless DMX settings (section **WIRELESS DMX**).

## 10.6 Display



### REVERSE:

It allows to turn by 180° the reading of the display. When you chose "ON" wait the turn of the display without clicking.

### AUTO LOCK:

Locks the keys.  
**OFF:** Auto Lock function in OFF  
**HOLD:** Press any key for 3 seconds to unlock.  
**PIN:** Use your personal lock pin to unlock.

### LOCK PIN:

Allows to set your personal lock pin (from 0000 to 9999).

### AUTO POWER OFF:

**OFF:** Auto Power OFF in OFF  
**ON:** Causes the projector display to turn off after 30 seconds of inactivity.  
**DMX:** Causes the projector display to turn off after 30 seconds of inactivity, but the display will turn automatically ON in case of signal loss

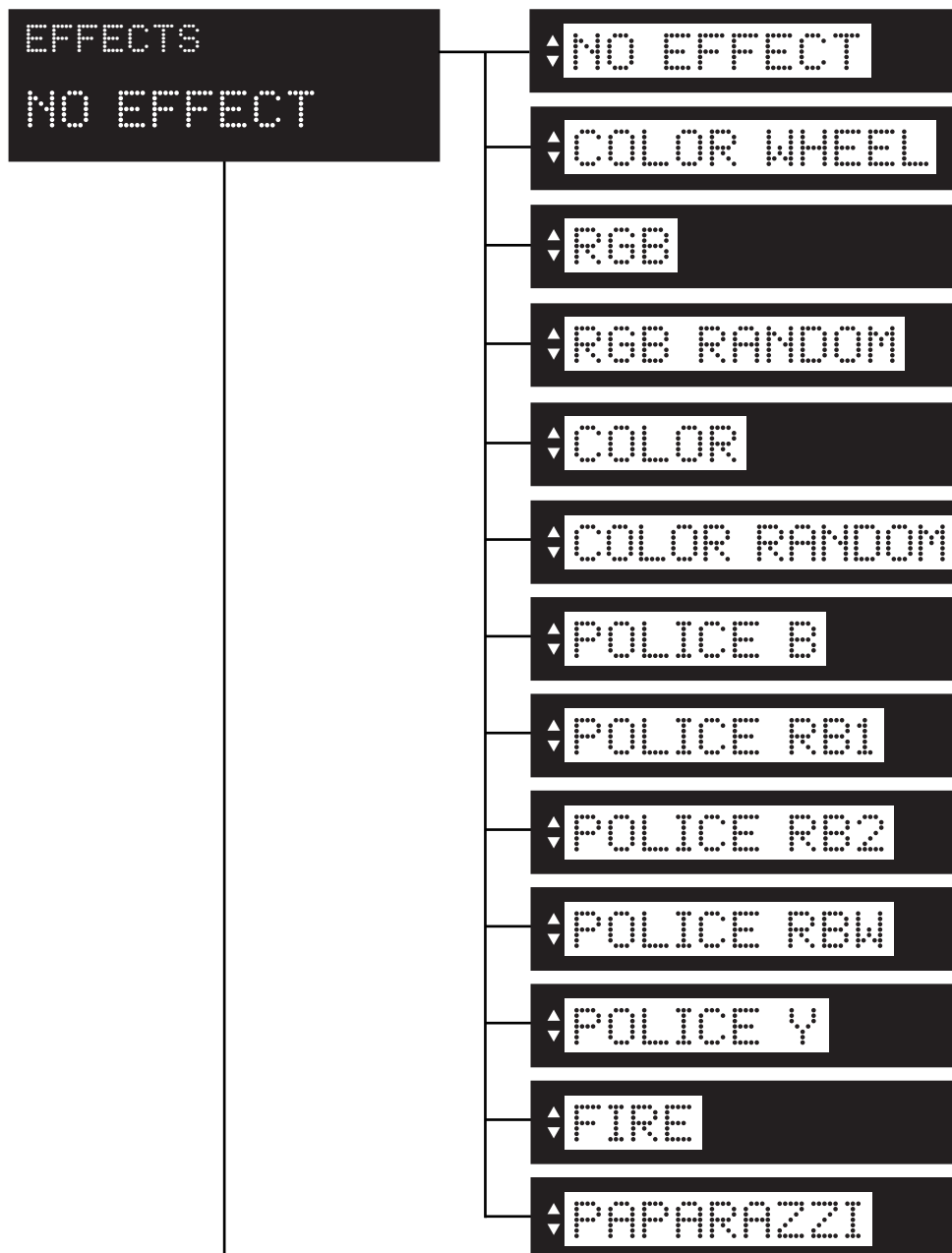
### BRIGHTNESS DISPLAY:

Allows to change the brightness of the display (from 0 to 10).

### BRIGHTNESS KEY:

Allows to change the brightness of the key (from 0 to 10).

## 10.7 Effects



### EFFECTS:

It is possible to choose between the following effects:

#### **COLOR WHEEL:**

replicates the color wheel by applying a fade effect between colors (Red, Yellow, Green, Cyan, Blue, Magenta);

**RGB:** replicates the RGB colors in rotation following the order Red, Green, Blue;

**RGB RANDOM:** replicates randomly the RGB colors in rotation

**COLOR:** replicates the color wheel (Red, Yellow, Green, Cyan, Blue, Magenta);

**COLOR RANDOM:** replicates randomly the color wheel (Red, Yellow, Green, Cyan, Blue, Magenta);

**POLICE B:** replicates the police flashing lights (type B);

**POLICE RB1:** replicates the police flashing lights (type RB1);

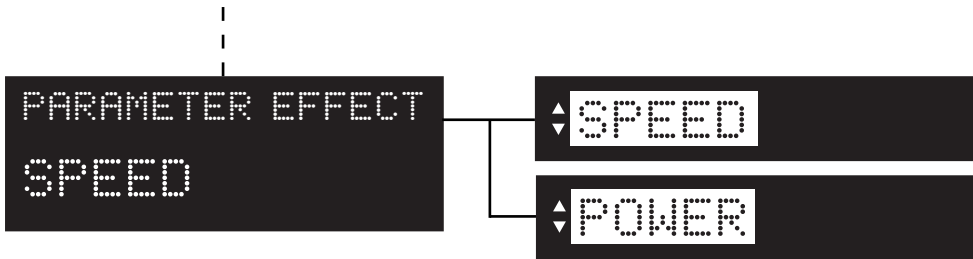
**POLICE RB2:** replicates the police flashing lights (type RB2);

**POLICE RBW:** replicates the police flashing lights (type RBW);

**POLICE Y:** replicates the yellow police flashing lights;

**FIRE:** replicates the effect of fire from minimum (candle type) to maximum (blaze type);

**PAFARAZZI:** replicates the Paparazzi effect, a random flashing white light.



**PARAMETER EFFECT:**

It allows to change the parameter of the effect selected.

**SPEED:** increases the speed of all effects;

**POWER:** increases the intensity of the effects listed below;

**N.B.** When you select a parameter effect it works for all effects and not individually.

Here below a chart where you can see which parameter works with the associated effect.

| PARAMETER<br>EFFECT | Speed | Power |
|---------------------|-------|-------|
| Color Wheel         | ●     | /     |
| RGB                 | ●     | /     |
| RGB Random          | ●     | /     |
| Color               | ●     | /     |
| Color Random        | ●     | /     |
| Police B            | /     | /     |
| Police RB1          | /     | /     |
| Police RB2          | /     | /     |
| Police RBW          | /     | /     |
| Police Y            | /     | /     |
| Fire                | ●     | ●     |
| Paparazzi           | ●     | /     |



## 10.8 Measures

```
TEMPERATURES
 ° F   MIN NOW MAX
LED:  -°C -°C -°C
BOARD: -°C -°C -°C
```

```
TEMP HISTORIES
 ° F   MIN NOW MAX
LED:  -°C -°C -°C
BOARD: -°C -°C -°C
```

```
DMX INPUT
1  0
```

```
▲ 1 ▼
```

```
▲ 5 ▼
```

```
DMX REFRESH RATE
0 HZ
```

```
FAN STATUS
      %   RPM
LED:  -   -
AUX:  -   -
```

### TEMPERATURES:

Shows the current temperature values of the fixture.

**LED:** shows the LED module temperature.

**BOARD:** shows the electronic mainboard temperature.

### TEMPERATURES HISTORIES:

Shows the history temperature of the fixture.

**LED:** shows the LED module temperature.

**BOARD:** shows the electronic mainboard temperature.

### DMX INPUT:

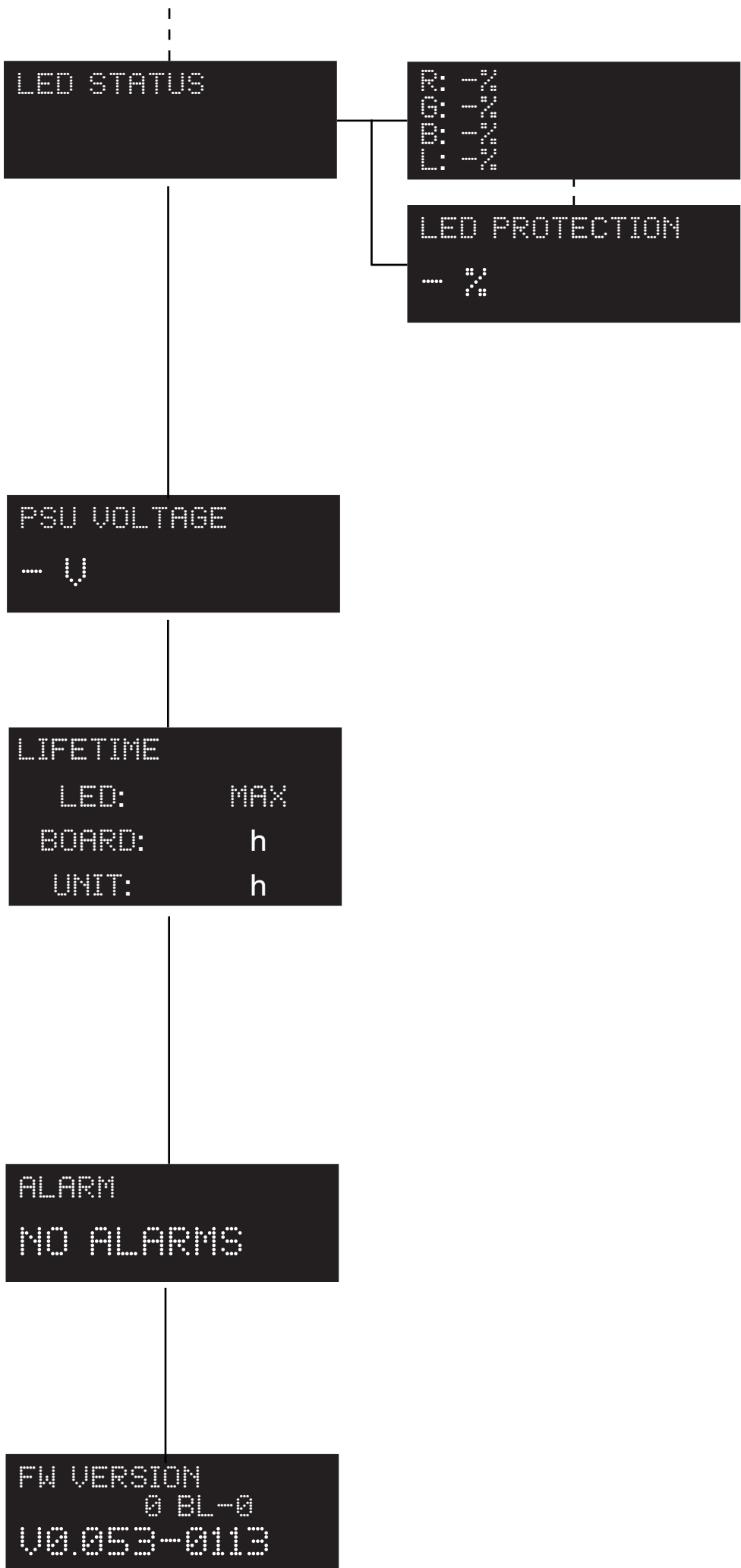
Shows the value of the DMX channels received by the fixture on every channel (from 1 to 5) that the fixture occupies on the line.

### DMX REFRESH RATE:

Shows the refresh rate of the DMX signal sent by the console.

### FAN STATUS:

Shows the percentage fan usage.



**LED STATUS:**  
Shows the percentage value of the LED status.

**LED PROTECTION:**  
Percentage of the maximum power in order to keep the projector in temperature.

**PSU VOLTAGE:**  
Shows the power supply voltage.

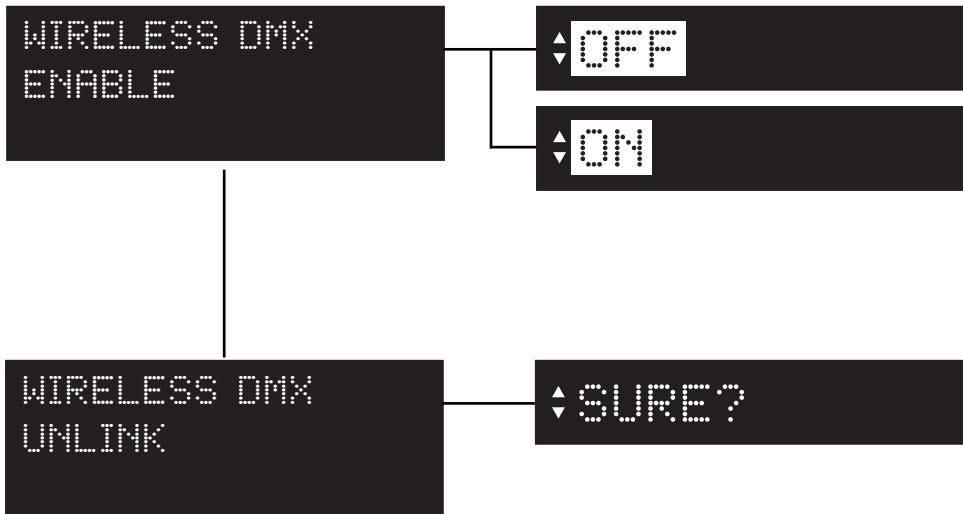
**LIFETIME:**  
Shows the hours counter of the fixture.  
**LED:** shows the overall LED module life when it is turned on.  
**BOARD:** shows the overall LED driver life currently installed.  
**UNIT LIFE:** shows the overall hours of life of the fixture when powered.  
**NOTE:** this items can be reset in case of LED module replacement.

**ALARM:**  
This menu eventually shows the alarm statuses if there is any (section **ERROR MESSAGES**).

**FIRMWARE VERSION:**  
Shows the firmware version currently installed in the fixture (as you can see in the example).

# 11. Wireless DMX Menu (OPTIONAL)

## 11.1 Wireless DMX



**WIRELESS DMX ENABLE:**  
It allows enable all the Wireless DMX functions

**WIRELESS DMX UNLINK:**  
This function is used to disconnect the projector from the transmitter.

# 12. Special Function and Error Messages

## 12.1 Special functions of the fixture

### Storing the DMX signal

To use the fixture without an active DMX console it is possible to store the DMX settings in two ways:

- Through the **PRESET** menu;
- Disconnecting the DMX signal when the fixture is on. When the signal is unconnected the fixtures stores the signal;

### Automatic fan standby

To decrease the noise and the power consumption the cooling fan turns off after 40 seconds without emitting light.

## 12.2 Error messages

If a malfunction occurs, **LEDko FullSpectrum 2 +** has a self-diagnostic system that will show the error message on the display. The following table will explain in detail the most common errors. If, despite of suggested intervention, the problem persists, call the **Coemar Service Center**.

| Error code | Description   |
|------------|---|
| MEMORY     | <b>Memory Error</b><br>Indicates that the projector has lost its memory and saved data  |
| HW MEMORY  | <b>HW Memory Error</b><br>Indicates that there is an Hardware Memory Error  |
| DMX ADDR   | <b>DMX Address Error</b><br>The projector address is too high and does not allow to receive all the necessary channels. We recall in this connection that some controllers do not generate all the 512 channels.  |
| NTC ERROR  | <b>NTC Error</b><br>LED temperature sensor missing or damaged.  |
| SHORT NTC  | <b>Short NTC Error</b><br>Error of the LED's sensor circuit.  |
| FAN SPEED  | <b>Fan Speed Error</b><br>Auto diagnostic routine found that the Fan may be damaged, contact Coemar assistance for the module replacement. <b>IMPORTANT:</b> to ensure the sensor is giving correct readings or that the fan rotates correctly, set the fan to the maximum level. |
| OVERTEMP   | <b>Over temperature Error</b><br>Indicates that the product has reached a too high temperature.   |

# 13. Accessories and spare parts

LEDko FullSpectrum 2 + is a very versatile fixture, optional accessories for its customization are available under request:

| Accessory name                                   | Code        |
|--|-------------|
| Front barrel for lens tube with burnished blades | BC10011A200 |
| Profile 5°, lens tube                            | BC10011A041 |
| Profile 10°, lens tube                           | BC10011A042 |
| Profile 14°, lens tube                           | BC10011A023 |
| Profile 19°, lens tube                           | BC10011A012 |
| Profile 26°, lens tube                           | BC10011A013 |
| Profile 36°, lens tube                           | BC10011A015 |
| Profile 50°, lens tube                           | BC10011A016 |
| Profile 70°, lens tube                           | BC10011A024 |
| Profile 90°, lens tube                           | BC10011A025 |
| Profile Zoom 15°- 35°                            | BC10011A017 |
| Profile Zoom 25°- 50°                            | BC10011A019 |
| Profile Zoom 28°- 40°                            | BC10011A003 |
| Soft Profile Fresnel Zoom 14°- 40°               | BC10011A002 |
| Soft Profile PC Zoom 11°- 38°                    | BC10011A001 |
| 4 leaf barndoor                                  | ACO4202     |
| Gobo frame holder                                | BC10011A006 |
| Iris   | BC10011A010 |
| Donut (190.5 mm)                                 | BC10011A028 |
| Half Top Hat (190.5 mm)                          | BC10011A027 |
| Top Hat (190.5 mm)                               | BC10011A029 |
| Color Frame Holder (190 mm)                      | BC10011A040 |
| Donut (185 mm)                                   | BC10011A036 |
| Half Top Hat (185 mm)                            | BC10011A035 |
| Top Hat (185 mm)                                 | BC10011A037 |
| Color Frame Holder (185 mm)                      | ACO4204     |

|   |             |
|---|-------------|
| Donut (159 mm)  | BC10011A032 |
| Half Top Hat (159 mm)                                       | BC10011A031 |
| Top Hat (159 mm)  | BC10011A033 |
| Colour Frame Holder (159 mm)                                | BC10011A021 |
| (Gobo Slot) Glass template holder (93.6 mm)                 | BC10011A030 |
| Hook clamp, 48-51 mm,<br>max. load 20 Kg.                   | BC10011A047 |
| Light clamp silver, 48-51 mm,<br>max. load 75 Kg.           | BC10011A045 |
| Light clamp black, 48-51 mm,<br>max. load 75 Kg.            | BC10011A046 |
| Clamp silver, flat 13-30 mm/ø 15-50 mm,<br>max. load 20 Kg. | BC10011A043 |
| Clamp black, flat 13-30 mm/ø 15-50 mm,<br>max. load 20 Kg.  | BC10011A044 |

All the components of **LEDko FullSpectrum 2 +** are available as spare parts from your Coemar dealer or Service. Accurate description of the fixture, model number and type will assist us in providing for your requirements in an efficient and effective manner.

# 14. Maintenance

---

## 14.1 Firmware update

The firmware of **LEDko FullSpectrum 2+** can be updated through DMX input (with RDM protocol, ANSI E1.20, interface code AC10011A001). Contact **Coemar** assistance to receive the software and the device updater.

---

## 14.2 Periodic cleaning

### Lenses

Even a thin layer of dust can reduce the luminous output and alter the consistency of the beam. Regularly clean all filters and lenses using a soft cotton cloth, dampened with a special lens cleaning solution.

### Cleaning of the unit

Use a soft brush or a common vacuum cleaner or a source of compressed air for removing dust. For the cleaning of the housing use a soft cloth and a non-aggressive cleaner. Check that the internal fans and heat exchanger must be perfectly clean.

---

## 14.3 Periodic controls

### Mechanical components

Check the correct working of the mechanical parts and, if needed, replace them. Make sure the projector is not mechanically damaged. If necessary, replace the worn parts.

### Electrical components

Check all electrical connections, in particular for correct grounding and correct attachment of all extractable connectors. Press the connectors if necessary and reposition as before.

---

## 14.4 Fuses

**LEDko FullSpectrum 2+** has an automatic fuse that in most cases does not need to be replaced. Auto recovery protection

# 15. F.A.Q. and answers

The following list shows common issues that may be simply solved. If issues persist, the unit must be repaired by a qualified personnel or just contact your **Coemar** service.

| Question  | Possible solution  |
|---|--|
| <b>LEDko FullSpectrum 2 +</b> does not emit light             | <b>Projector not powered on:</b> <ul style="list-style-type: none"><li>• Make sure the power cable is plugged in or test the input voltage;</li></ul> <b>Wrong DMX address:</b> <ul style="list-style-type: none"><li>• Check the DMX Address setting and the output signal of the controller;</li></ul> |
| <b>LEDko FullSpectrum 2 +</b> is not responding to DMX signal | <b>DMX signal may not reach LEDko FullSpectrum 2 +:</b> <ul style="list-style-type: none"><li>• Inspect the cable connection, correct poor connections or inefficient repair or replace damaged cables;</li><li>• Check DMX address of the unit;</li></ul>   |

## Help from Coemar Technical Services

If you are having difficulties and your problem is not addressed by this document, contact Coemar Technical Services directly at one of this email address:

**info@coemar.com / service@coemar.com**

Or call the number **+39 0376 1514412**

When calling for help, take these steps first:

- Prepare a detailed description of the problem
- Go near the equipment for troubleshooting







#### Information on disposal of the equipment

The equipment at the end of its useful life must be disposed of at an appropriate recycling center for waste electrical and electronic equipment. The treatment and disposal of environmentally friendly, helps prevent potential negative environmental and health and promote the reuse and / or recycling of materials making up the equipment. Illegal disposal by the user includes the application of administrative sanctions provided by law.



## Coemar Lighting s.r.l.

Via Carpenedolo 90

46043 Castiglione delle Stiviere, Mantova, Italy

phone. +39 0376/1514412 - fax +39 0376/1514380

[info@coemar.com](mailto:info@coemar.com)

Coemar reserves the right to change specifications without prior notice