

SunLite LED

Last update:
04/02/2025



SunLite LED

Introducing

● **SunLite LED** is the Coemar family of products specifically developed and designed around the specifications of Miral & SeaWorld for the, world first entirely indoor, SeaWorld Abu Dhabi and recognises the stringent requirements dictated for ensuring animal welfare. This product is suitable for use as worklight in **theaters**, as **industrial lighting** as well as small/medium **sports fields**.

SunLite LED is a very bright, tunable fixture thanks to its truly high quality LED source, developed to specifically deliver a genuine and realistic sunlike spectrum with extremely high color rendition across the entire CCT range.

Its air convection cooled design allows a **superior cooling** to reduce and dissipate the heat rapidly.

This ensures an excellent performance without prejudice for the lifespan of the LED source. The finishing of the housing is ideal for harsh climate conditions and highly **corrosive ambient** with a high **IP65** as well as an up to **IK10** rating. The SunLite LED may be hung to project downwards or sideways.

Key Features



- VariWhite LEDs
- Fixed White LEDs



- CRI > 96.8, TLCI 100



- 2.700 K - 6.500 K (VariWhite version)
- 3.200 K or 5.600 K (Fixed White version)



- IP65 - IK10



- Interchangeable lenses: Ultra Narrow 12°, Narrow 21°, Medium 25°, Wide 34°, Ultra Wide 54°, Mega Wide 65°



- Passive cooling and fan-free

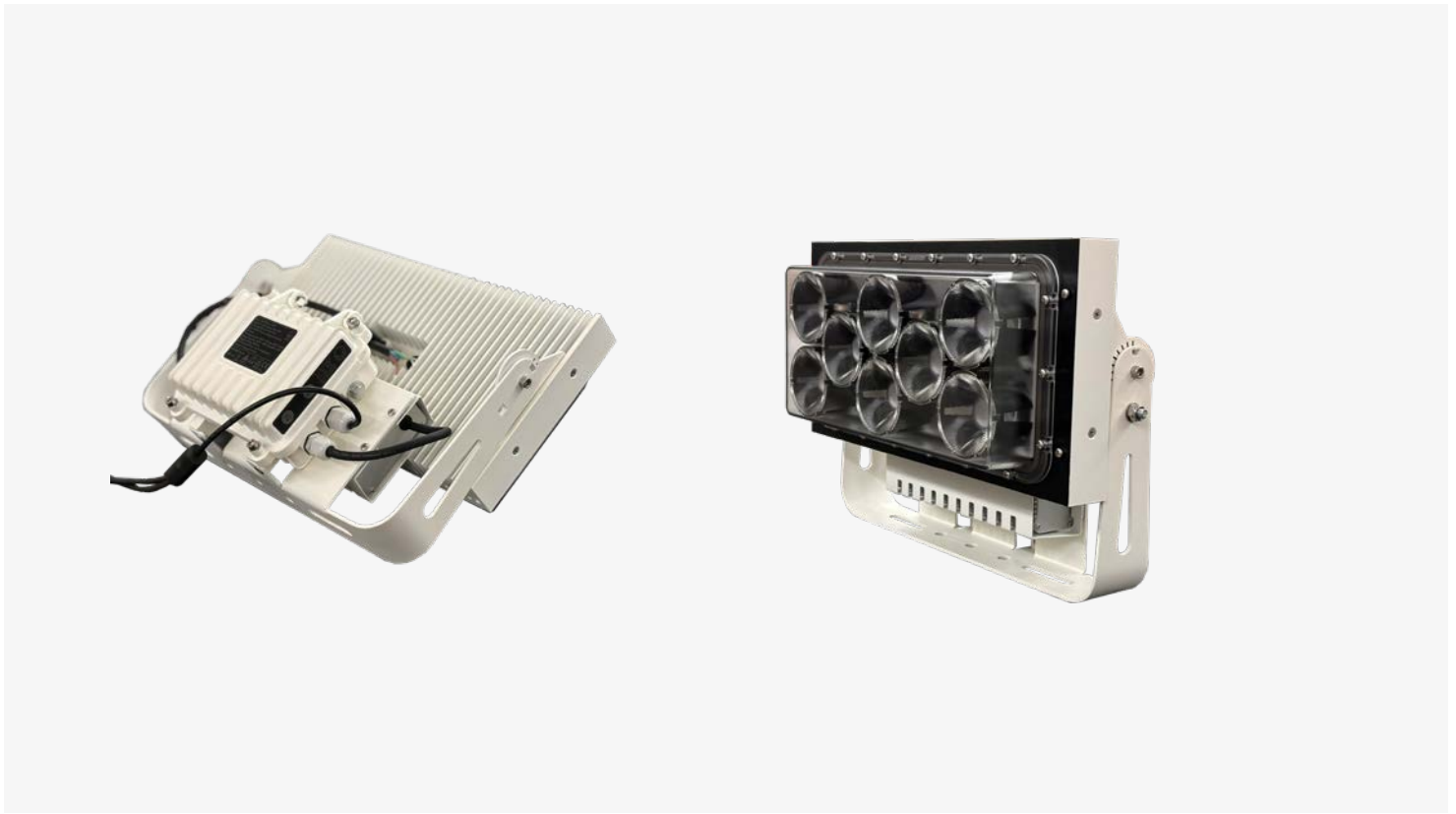


- Custom color on request (optional)



- CE Compliant
- RoHS Directive
- IK10 rating
- Conforms to EN 62722-2-1 (Particular requirements for LED luminaires performance)

General	
● LED Source	VariWhite, Tungsten or Daylight (8 Bridgelux COB LEDs Thrive Series)
● CCT Range	<ul style="list-style-type: none"> ●●●●● 2.700 K → 6.500 K (VariWhite version) ●●●●● 3.200 (Tungsten version) or 5.600 K (Daylight version)
● Color Rendition Average	CRI > 96.8, TLCI 100
● Light efficiency (VariWhite version)	Narrow: 20.212 lm, 89 lm/W Medium: 18.798 lm, 83 lm/W Wide: 19.036 lm, 85 lm/W Extra Wide: 17.696 lm, 79 lm/W
● Dimming	8 or 16 bit, 5 selectable curves: Exponential, Logarithmic, Linear, Halo and Standard
● Dimming Smooth Selection	Fast, Slow and Very Slow
● Strobe	Synchronized, random or pulse electronic strobe
● Lens	Ultra Narrow 12°, Narrow 21°, Medium 25°, Wide 34°, Ultra Wide 54°, Mega Wide 65° (each value of degrees refers to 1/2 peak angle)
● L80 Rating (hours to 80% output)	50.000 Hours
Electrical	
● Voltage Input	100-277 V, 50-60 Hz, auto-sensing - 1.0 A at 230 V, 2.0 A at 115 V
● Power Consumption	225 W @ Full
● Power Connection	0.3 m (1,18 in) integral power supply cable with bare ends
● Data Connection	In and Out DMX 5 pin locking XLR connectors
Thermal	
● Ambient Operating Temperature	-40°C - +40°C (-40°F - 104°F)
● Cooling	Passive cooling and fan-free
Control	
● Protocols	DMX-512, RDM (Remote Device Management), Wireless (optional by LumenRadio)
● RDM configuratons	Yes
● DMX Channels	5 / 2 / 1 / Sunrise mode / Raw mode (VariWhite version) 5 / 1 (Fixed White version)
● Firmware upgrade	Through DMX with RDM Upgrade USB interface (code AC10011A001)
Physical	
● Yoke	Single yoke suitable for safe hanging
● Materials	Heatsink: Extruded hard anodized aluminum, Electronic box: Die-Casting aluminum with Anti-Corrosion treatment for marine ambient and electrostatic powder-coated, Frontal Cover: PC (Polycarbonate)
● Gasket Material	Polyurethane foam
● Hardware Material	Stainless steel AISI304
● Lens Material	PMMA Polymethyl methacrylate
● Weight	10.5 Kg / 23.14 lbs
● Height	116 mm / 4.56 in - With brackets: 306 mm / 12.04 in
● Width	410 mm / 16.14 in
● IP/IK Rating	IP65 - IK10
● Color options	Silver or Black (standard), custom color on request (optional)
General accessories	
RCN72	Power Junction Connector for AC
RCN 73	DMX Signal Junction Connector
RME 34/2	DMX Signal Connector XLR5 Female (OUT)
RME 35/2	DMX Signal Connector XLR5 Male (IN)
RME 641/1	CEE 16A Power AC Plug
O336.045	Louwer
Lens Kits	
BC073A009	Lens Kit ultra-narrow
BC073A010	Lens Kit narrow
BC073A011	Lens Kit medium
BC073A012	Lens Kit wide
BC073A013	Lens Kit ultra-wide
BC073A014	Lens Kit mega-wide



SunLite LED white body (optional)

DMX Charts - VW version

5 Channels

- 01 → Master Dimmer
- 02 → Dimmer Fine
- 03 → White Tone
- 04 → Strobe Effect
- 05 → Special Functions

2 Channels

- 01 → Master Dimmer
- 02 → White Tone

1 Channel

- 01 → Master Dimer

Sunrise mode

- 01 → Master Dimmer
- 02 → Dimmer Fine
- 03 → Proportional CCT
- 04 → Step CCT
- 05 → Special Functions

Raw mode

- 01 → Warm White LED
- 02 → Warm White LED Fine
- 03 → Cold White LED
- 04 → Cold White LED Fine

DMX Charts - T/D version

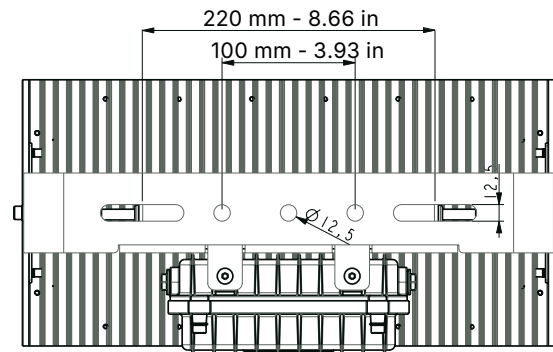
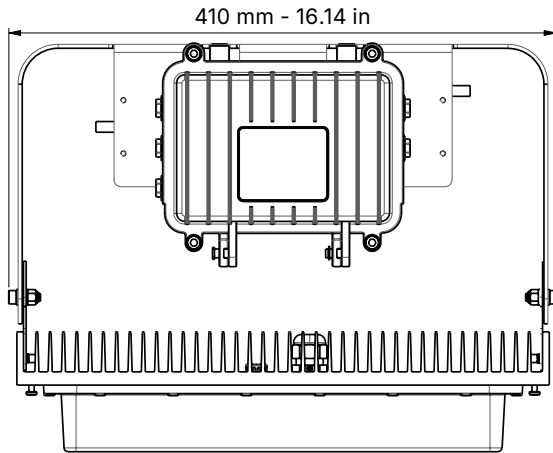
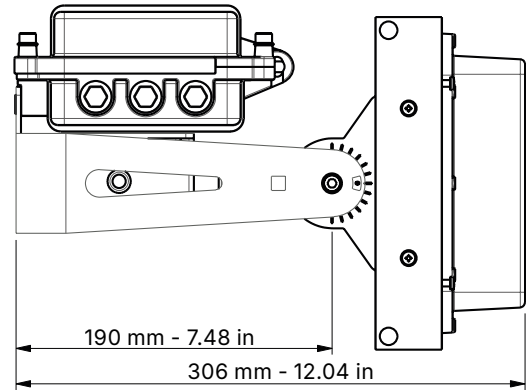
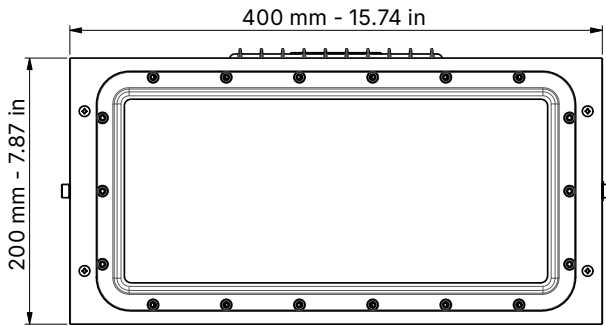
5 Channels

- 01 → Master Dimmer
- 02 → Spare Channel
- 03 → Dimmer Fine
- 04 → Strobe
- 05 → Special Functions

1 Channel

- 01 → Master Dimmer

Drawing Size



Models

Product	Code
SunLite LED VariWhite with Narrow Lens Kit, Black	F073G001H
SunLite LED VariWhite with Medium Lens Kit, Black	F073G001I
SunLite LED VariWhite with Wide Lens Kit, Black	F073G001L
SunLite LED VariWhite with Ultra-Wide Lens Kit, Black	F073G001O
SunLite LED VariWhite with Narrow Lens Kit, Silver	F073G101H
SunLite LED VariWhite with Medium Lens Kit, Silver	F073G101I
SunLite LED VariWhite with Wide Lens Kit, Silver	F073G101L
Lenti Ultra Larghe, Argento	F073G101O

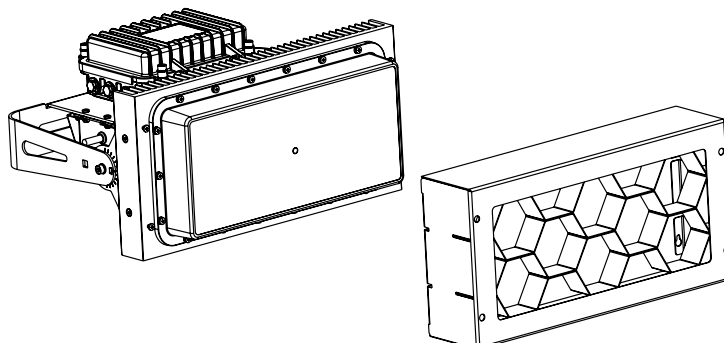
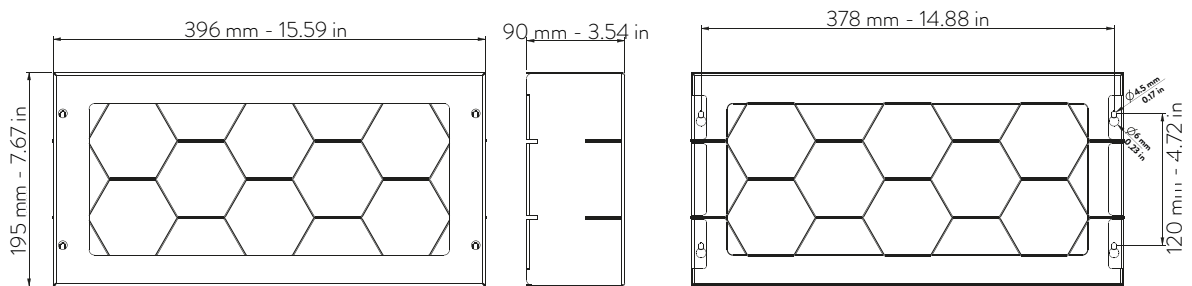
Louver (optional)



Physical

● Materials	Stainless steel AISI304 Body
● Length	396 mm / 15.59 in
● Weight	1.6 kg / 3.53 lbs
● Height	195 mm / 7.67 in
● Width	90 mm / 3.54 in
● Color options	Matt Black
● Safety Accessories	Stainless steel AISI304 Safety chain

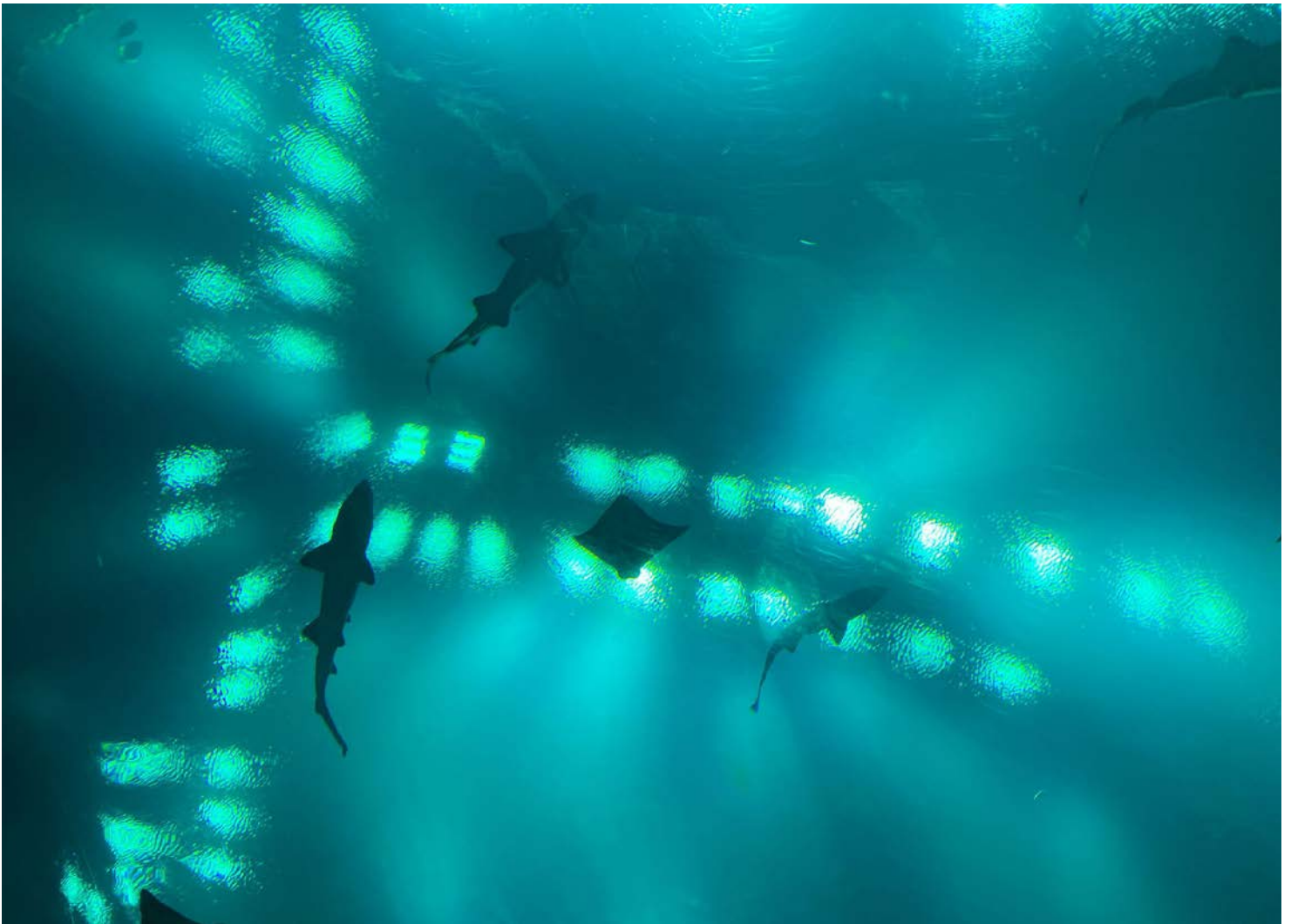
Drawing Size





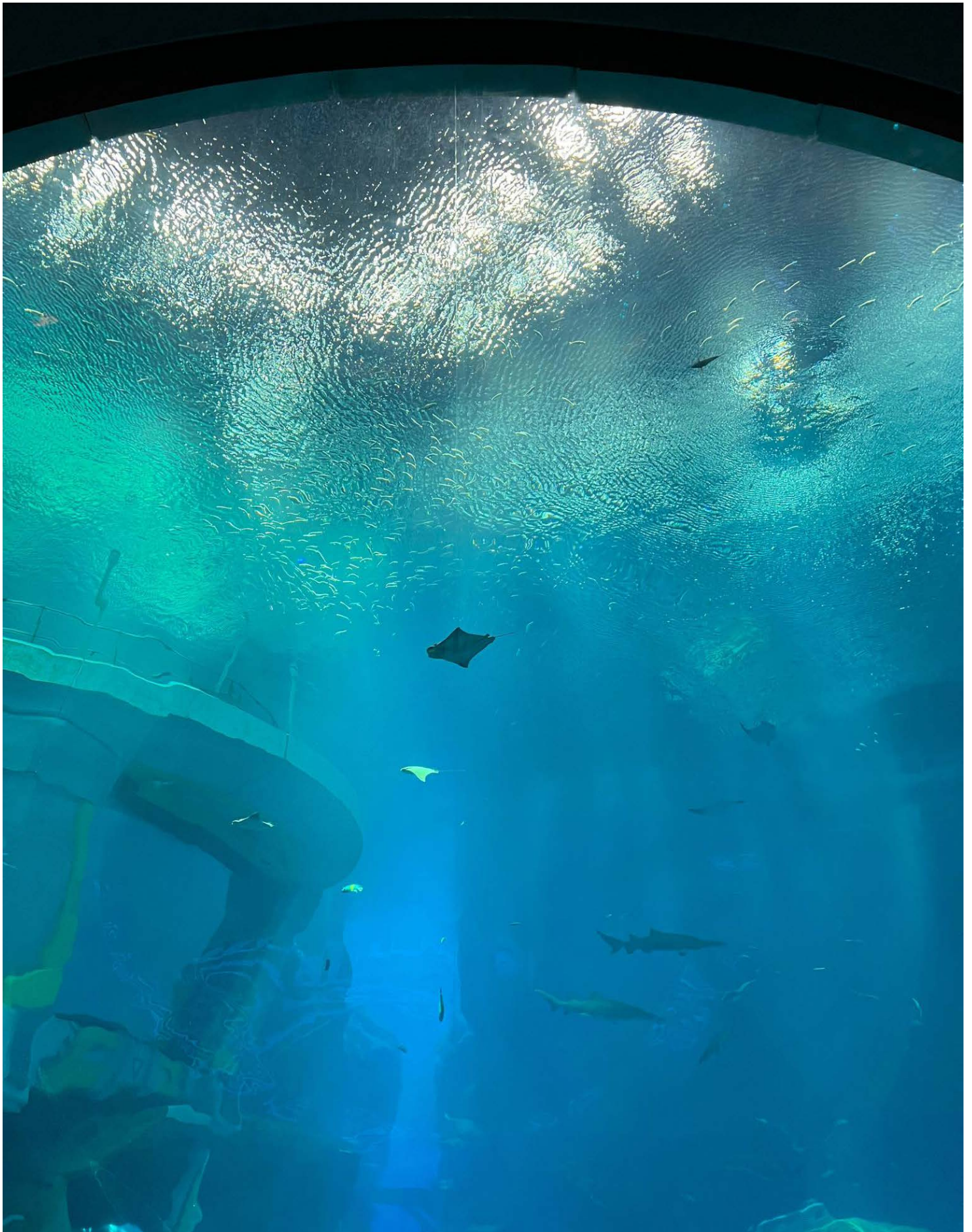
Theme Park - Sea World, Abu Dhabi, UAE

Product	SunLite LED VW
CCT	2.700 K → 6.500 K
CRI	>96
Installation	ASU/Khabari



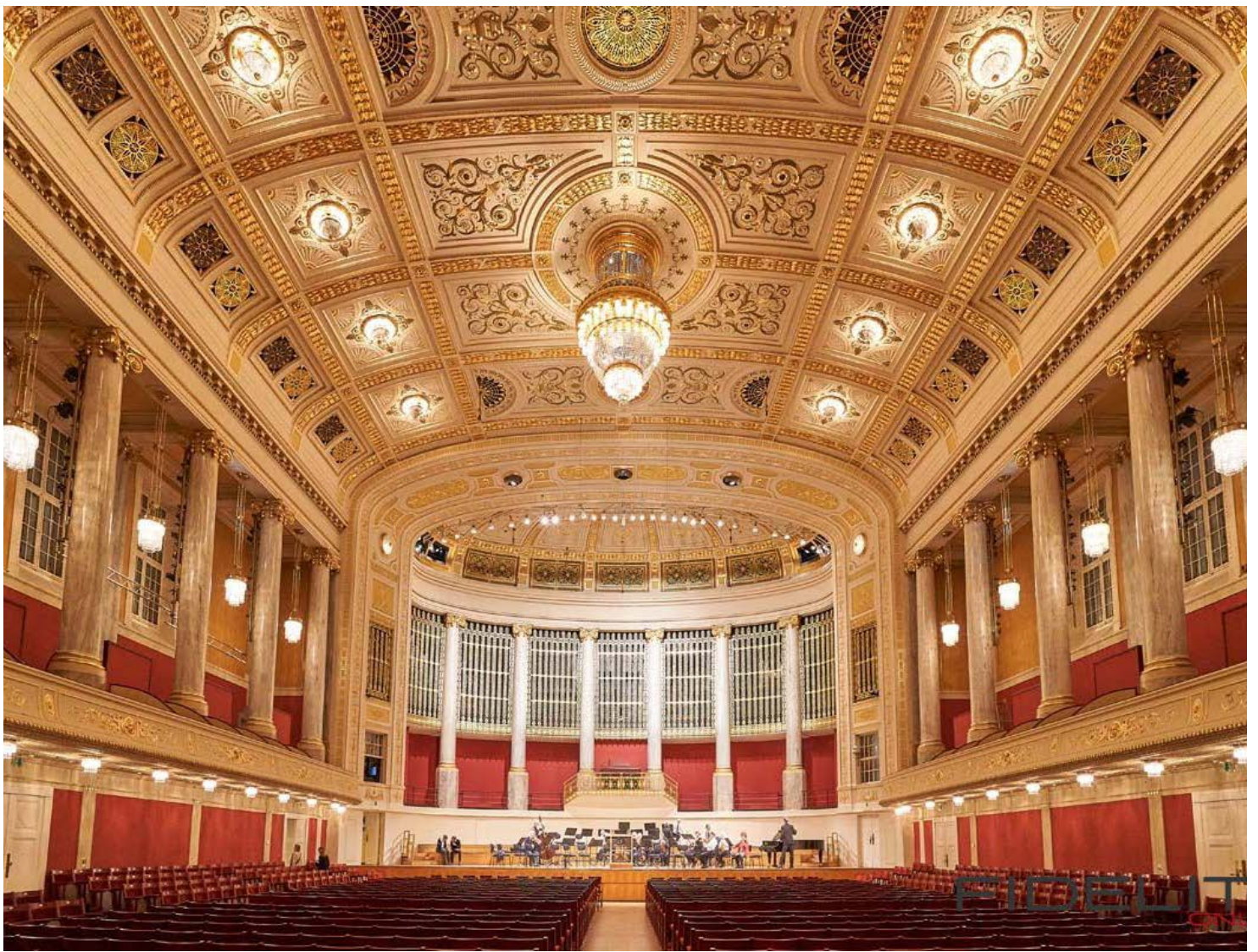
Theme Park - Sea World, Abu Dhabi, UAE

Product	SunLite LED VW
CCT	2.700 K → 6.500 K
CRI	>96
Installation	ASU/Khabari



Theme Park - Sea World, Abu Dhabi, UAE

Product	SunLite LED VW
CCT	2.700 K → 6.500 K
CRI	>96
Installation	ASU/Khabari



Theatre - Wiener Konzerthaus, Wien

Product	SunLite LED Tungsten
CCT	3.200 K
CRI	>96



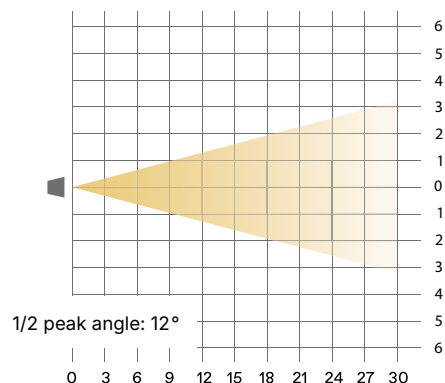
Event - CO27, Sharm el-Sheikh

Product	SunLite LED VW
CCT	2.700 K → 6.500 K
CRI	>96

SunLite LED VariWhite

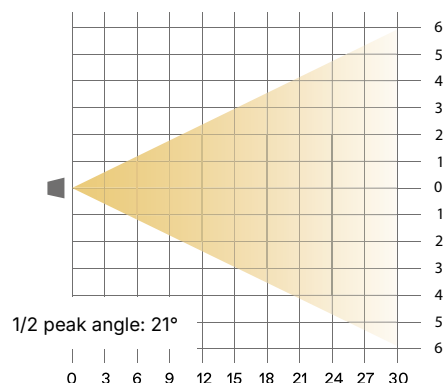
Optic: Ultra Narrow Beam - 1/2 Peak Angle 12°

Distance(m)		3	6	9	12	15	18	21	24	27	30
lux	FULL	24.182	6.046	2.687	1.511	967	672	494	678	299	242
1/2 P.A. 12° Ø (m)		0,63	1,26	1,89	2,52	3,15	3,78	4,41	5,05	5,68	6,31



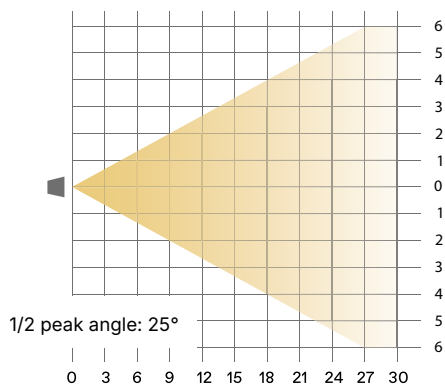
Optic: Narrow Beam - 1/2 Peak Angle 21°

Distance(m)		3	6	9	12	15	18	21	24	27	30
lux	2.700K	3.198	800	355	200	128	89	65	50	39	32
	6.500K	11.440	2.860	1.271	715	458	318	233	233	141	114
	FULL	14.355	3.589	1.595	897	574	399	293	293	177	144
1/2 P.A. 21° Ø (m)		1,11	2,22	3,34	3,45	5,56	6,67	7,78	8,90	10,01	11,12



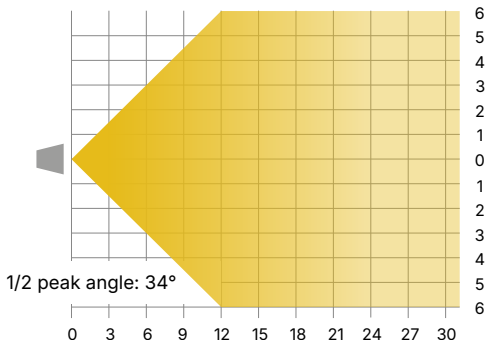
Optic: Medium Beam - 1/2 Peak Angle 25°

Distance(m)		3	6	9	12	15	18	21	24	27	30
lux	2.700K	2.035	509	226	127	81	57	42	32	25	20
	6.500K	7.364	1.841	818	460	295	205	150	115	91	74
	FULL	9.283	2.321	1.031	580	371	258	189	145	115	93
1/2 P.A. 25° Ø (m)		1,33	2,66	3,99	5,32	6,65	7,98	9,31	10,64	11,97	13,30



Optic: Wide Beam - 1/2 Peak Angle 34°

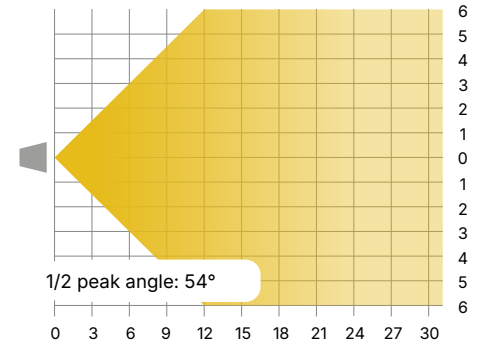
Distance(m)		3	6	9	12	15	18	21	24	27	30
lux	2.700K	1.258	315	140	79	50	35	26	20	16	13
	6.500K	4.692	1.173	521	293	188	150	96	73	58	47
	FULL	5.858	1.465	651	366	234	163	120	92	72	59
1/2 P.A. 34° Ø (m)		1,83	3,67	5,50	7,34	9,17	11,01	12,84	14,68	16,51	18,34



SunLite LED VariWhite

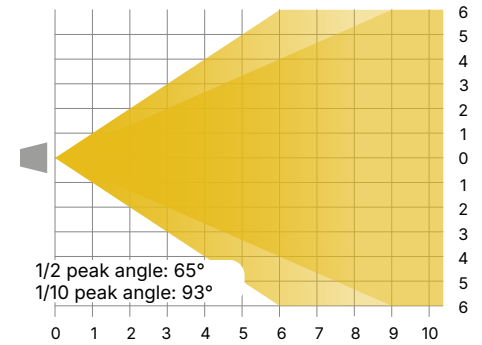
Optic: **Ultra Wide Beam - 1/2 Peak Angle 54°**

Distance (m)		3	6	9	12	15	18	21	24	27	30
lux	2.700K	512	128	57	32	20	14	10	8	6	5
	6.500K	1.887	472	210	118	75	52	39	29	23	19
	FULL	2.393	598	266	150	96	66	49	37	30	24
1/2 P.A. 54° Ø (m)		3.06	6.11	9.17	12.23	15.29	18.34	21.40	24.46	27.51	30.57



Optic: **Mega Wide Beam - 1/2 Peak Angle 65°**

Distance (m)		1	2	3	4	5	6	7	8	9	10
lux	3.200 K	3834	959	426	240	153	107	78	60	47	38
	5.600 K	10486	2622	1165	655	419	291	214	164	129	105
1/2 P.A. Ø (m)		1.27	2.55	3.82	5.10	6.37	7.64	8.92	10.19	11.47	12.74
1/10 P.A. Ø (m)		2.11	4.22	6.32	8.43	10.54	12.65	14.75	16.86	18.97	21.08



● Coemar Lighting S.r.l.

Via Carpenedolo, 90
46043, Castiglione delle Stiviere (MN) – Italy

P. +39 0376 1514412
M1. info@coemar.com
M2. service@coemar.com
W. coemar.com

P.iva – C.f. 02415330204



Coemar reserves the right to change specifications without prior notice.

Last Update: 04 February 2025 - vrs. 4.4