

MiniLEDko Spot

Last update:
03/07/2024



MiniLEDko Spot

Introducing

● We took our flagship product and made it smaller. Much smaller. We are proud to introduce you to the new Coemar product family, MiniLEDko.

Thanks to MiniLEDko we can expand our offer and make available all the quality we offer with LEDko, in a much smaller body. High power is not always necessary and this is why MiniLEDko was born. Anyone who needs a profiler with an incredible light emitted/power ratio must have our brand new MiniLEDko. We have thought of everything, from optics to mounting options, to communication protocols, to ensure that anyone can find the perfect product for their needs.

Configuration

● MiniLEDko are available in three different mounting options to fit any installation

1. Portable
2. Canopy
3. Track

Key Features



- 25 W White COB LED (T/D version)
- 35 W COB LED (VW version)



- High CRI > 95



- 3.000 K, 5.600 K (only on request 2.700 K, 3.500 K, 4.000 K, 5.000 K, 6.500 K) or Tunable white from 2.700 K → 6.500 K



- IP 20 or 65



- High Definition Optics
- High lumen flux and flat field



- Swappable optics from 16 to 27°



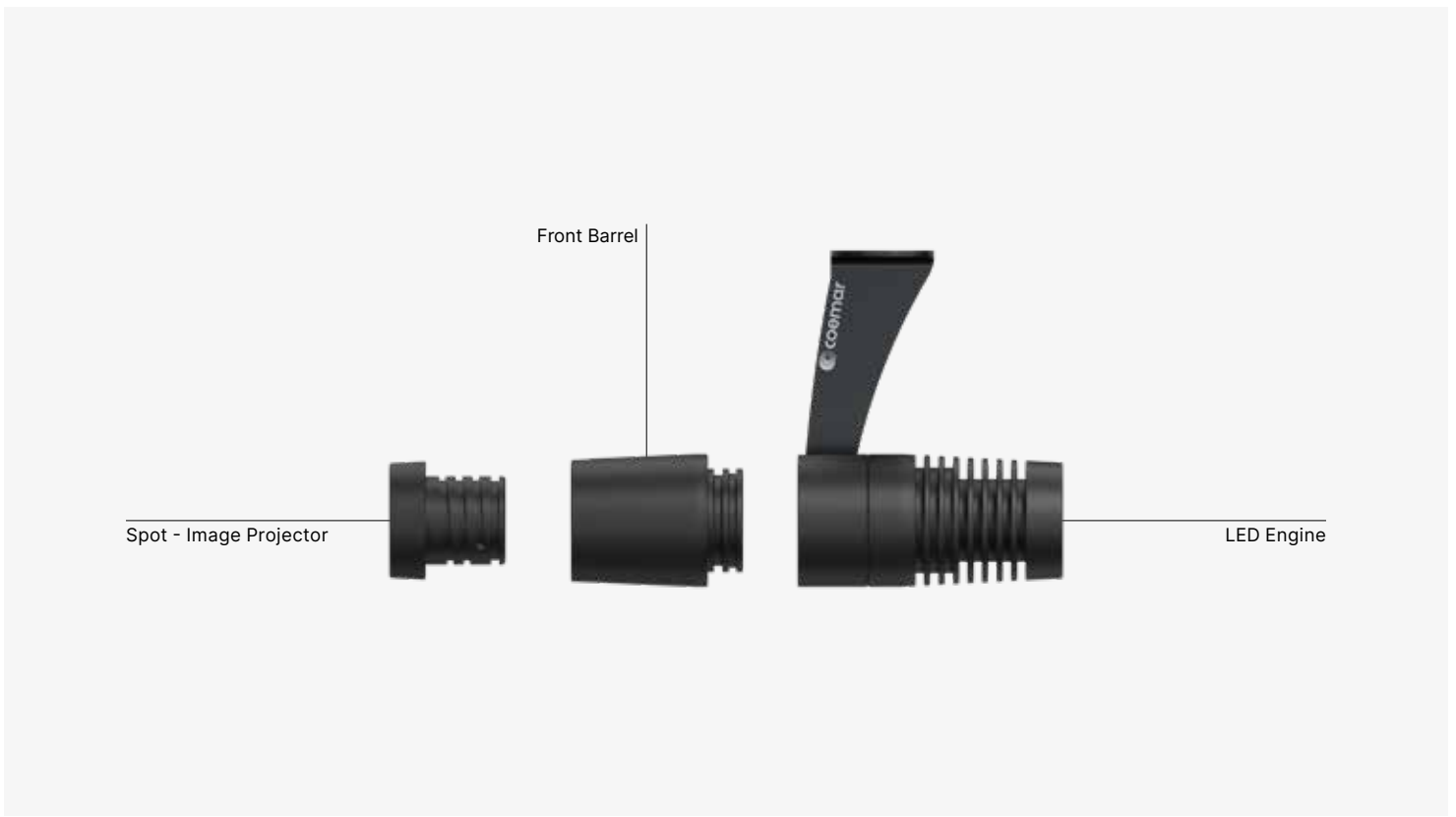
- Full Body in Aluminum



- Custom color on request (optional)



- Track, Portable, Canopy



MiniLEDko Spot - Versions

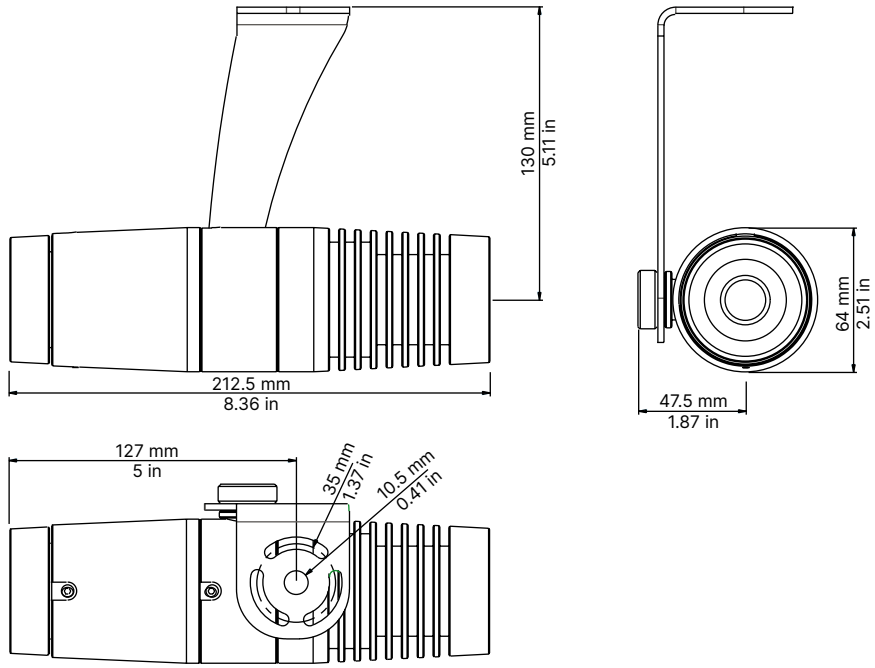
Versions

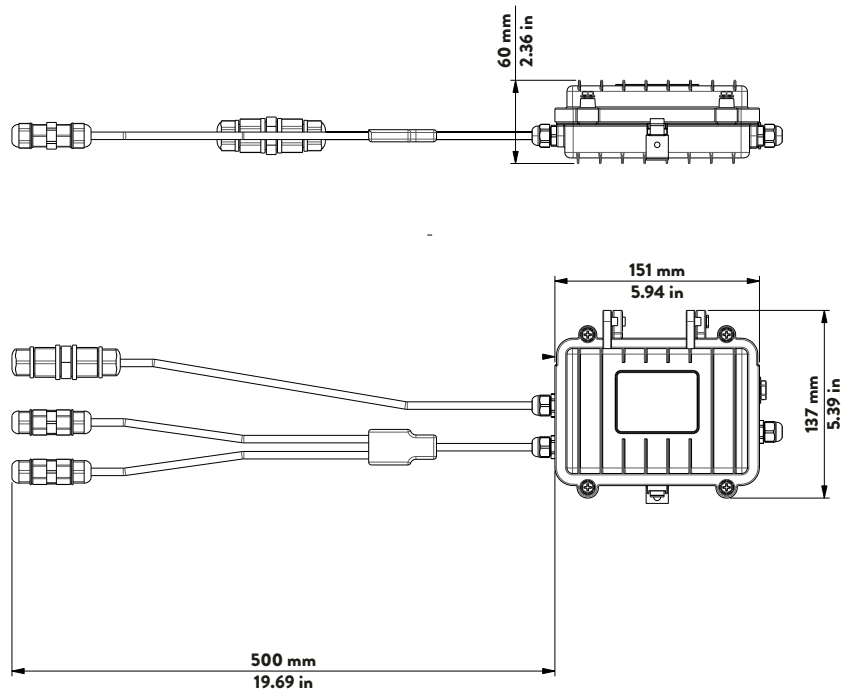
Family	Version	Optic	Barrel	Mounting	Controls
MiniLEDko	Spot	Lens 16° Lens 22° Lens 27°	Integrated Barrel	Portable Track Canopy	DMX512 DALI On / Off On Board Potentiometer Bluetooth App



MiniLEDko Spot white body - Canopy Version

General	
● LED Source	25 W White COB LED (T/D version), 35 W COB LED (VW version), 40 W COB LED (RGBW, soon available)
● CCT Range	<ul style="list-style-type: none"> ●●●●●● 3.000 K, 5.600 K (only on request 2.700 K, 3.500 K, 4.000 K, 5.000 K, 6.500 K) ●●●●●● 2.700 K → 6.500 K (VariWhite Version) ●●●●●● 2.700 K → 6.500K (RGBW version, soon available)
● Color Rendition Average	CRI> 96 (96 @3200 K, 97 @5600 K) TLCI >98 (98 @3200 K, 99 @5600 K)
● Light efficiency	5000 K 19°: 587 lm 5000 K 50°: 545 lm
● Available Optics	Lens 16° / 22° / 27°
● L80 Rating (hours to 80% output)	50.000 Hours
● Pattern projection	Yes (internal gobo holder)
● Pattern Size	Gobo outside diameter= 26 mm / 1.02 in Max image diameter= 22 mm / 0.86 in Max Gobo thickness= 2 mm / 0.08 in (glass gobo)
Electrical	
● Voltage Input	220-240 V, 50/60 Hz (on request available other voltage range)
● Power Consumption	20 W Typical - 0.07 A at 230 V, 0.15 A at 115 V - cosφ: 0.9
● Power Connection	1.5 m (4.92 ft) integrated cable without power plug (canopy and portable version)
Thermal	
● Ambient Operating Temperature	0°C - +40°C (32°F - 104°F)
● Cooling	Passive cooling and fan-free
Control	
● Protocols	On/Off, On board potentiometer, Dali, Bluetooth App, DMX, Wireless (optional)
● RDM	DMX Setup, Fixture Status, RDM Commands (only DMX version)
Physical	
● Yoke	Track, Canopy, Portable (Hook with M10 Thread)
● Materials	Aluminium construction (EN AB-46100 grade)
● Fine Texture	High temperature powder-coated paint
● Tool-free	Tilt and beam adjustment
● Gobo pattern holder	26 mm with a 22 mm image area (included)
● Weight	1.5 Kg / 3.31 lbs
● Length	212 mm / 8.35 in
● Height	64 mm / 2.51 in - With bracket: 162 mm / 6.38 in
● Width	79.5 mm / 3.13 in
● IP Rating	IP20 or 65 (only portable version)
● Color options	Black (standard), custom color on request (optional)
Optics	
BC016A000	Lens 16°
BC016A001	Lens 22°
BC016A002	Lens 27°
General accessories	
BC016A100	Front Barrel for Lens 16° and 22°
BC016A110	Front Barrel for Lens 27°
BC016A010	Metal key for gobo mounting (included)
BC015A300	Track adaptor for surface or clamp fixing (for track version T/D - clamp not included)





*Power Box

Models

MiniLEDko family		LED source		Color		Mounting Options		IP		Control	
Image projector	F116	T (CRI>95)	A	Black	0	None	A	IP20	0	None	A
		D (CRI>95)	B	Silver	1	Track	B	IP65	1	DMX Control	B
		VariWhite	G	White	2	Portable	C			DALI Control	C
				Custom	X	Canopy	D			Bluetooth App Control	D
										On Board Potentiometer Control	E
										On-Off Control	F

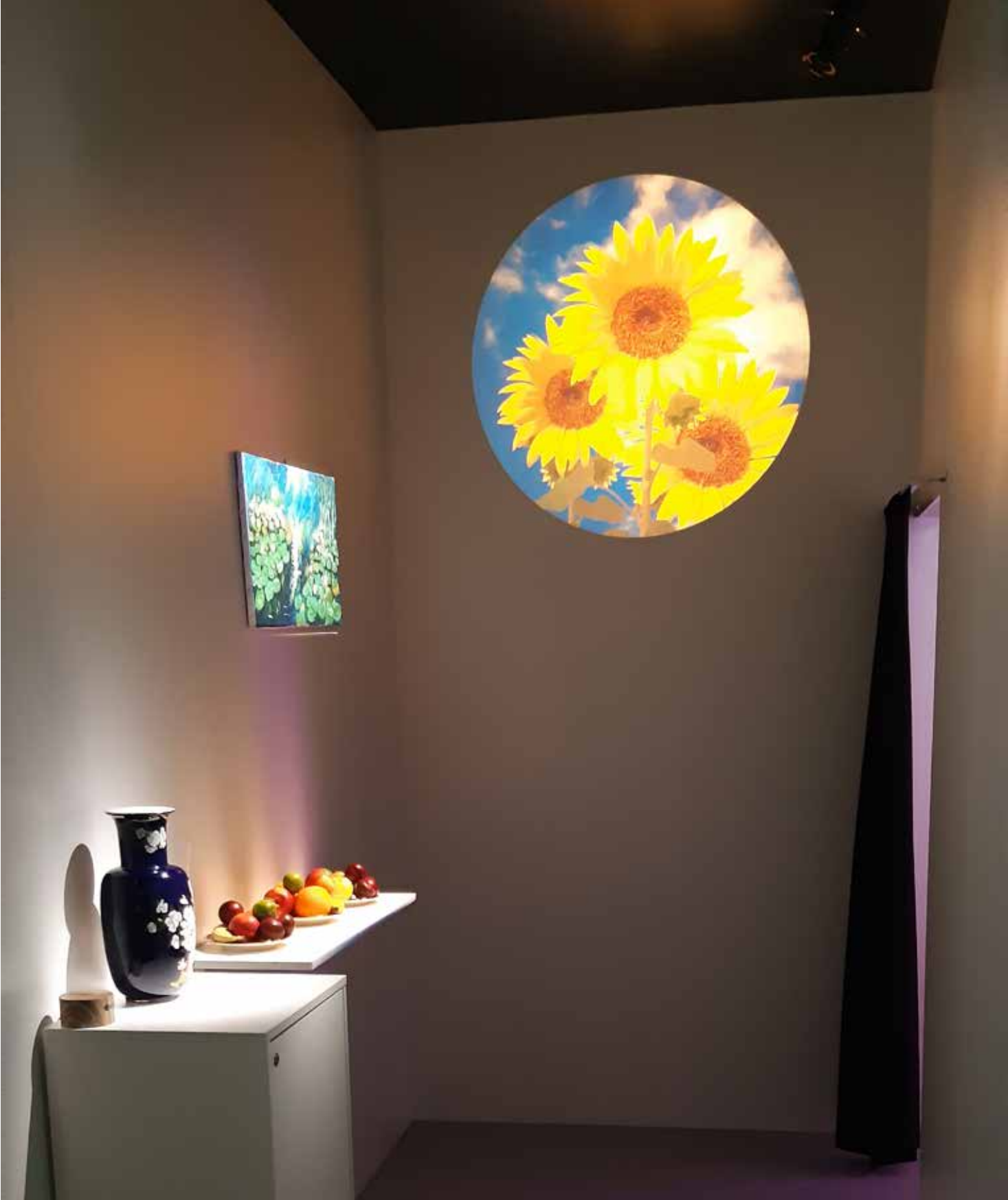
DALI, DMX versions - Table A

Manufacturer	Type	Model	System
Eutrac	One Track	575 2 1101 575 2 1102 575 2 1103 575 2 1104	3-phase + SIGNAL
Nordic Aluminium	Global Track pulse DALI	XTSC 6x00 XTSCF 6x00 x=1, 2, 3, 4	3-phase + SIGNAL
Powergear	3 Circuits DALI track system	PRO-06X0, 064000 PRO-R6x0, R6400 x=1, 2, 3	3-phase + SIGNAL
Stucchi	One Track Advance	9000A-.../...-ST 9000A-.../...-R	3-phase + SIGNAL
Targetti	Eurostandard Plus	9000A-.../...-ST 9000A-.../...-R	3-phase + SIGNAL

On/Off, On board potentiometer, Bluetooth App versions - Table B *

Manufacturer	Type	Model	System
Eutrac	Surface Track	25-x0 x= 1, 2, 3, 4	3-phase
Ivela	3-phase LKM	7501-x0 x= 1, 2, 3, 4	3-phase
Nordic Aluminium	Global Track Pro	XTS 4x000 x= 1, 2, 3, 4	3-phase
Powergear	3 Circuit Track system	PRO-04x0 x= 1, 2, 3	3-phase

* On/Off, On board potentiometer, Bluetooth App versions products can also be switched on and powered by the tracks indicated in table A, but obviously they cannot be controlled or dimmed via a control signal



Exhibition - PLS Frankfurt Germany

Product	MiniLEDko Spot D
CCT	5.600K
CRI	>95



Exhibition - PLS Frankfurt Germany

Product	MiniLEDko Spot D
CCT	5.600K
CRI	>95

● Coemar Lighting S.r.l.

Via Carpenedolo, 90
46043, Castiglione delle Stiviere (MN) – Italy

P. +39 0376 1514412

M1. info@coemar.com

M2. service@coemar.com

W. coemar.com

P.iva – C.f. 02415330204

