

MiniLEDko Profile

Last update:
04/02/2025



MiniLEDko Profile

Introducing

● We took our flagship product and made it smaller. Much smaller. We are proud to introduce you to the new Coemar product family, MiniLEDko.

Thanks to MiniLEDko we can expand our offer and make available all the quality we offer with LEDko, in a much smaller body.

High power is not always necessary and this is why MiniLEDko was born. Anyone who needs a profiler with an incredible light emitted/power ratio must have our brand new MiniLEDko. We have thought of everything, from optics to mounting options, to communication protocols, to ensure that anyone can find the perfect product for their needs.

Configuration

● MiniLEDko are available in three different mounting options to fit any installation

1. Portable
2. Canopy
3. Track

Key Features



- White COB LED (T/D version)
- COB LED (VW version)



- High CRI > 95



- 3.000 K, 5.600 K (only on request 2.700 K, 3.500 K, 4.000 K, 5.000 K, 6.500 K) or Tunable white from 2.700 K → 6.500 K



- High lumen flux and flat field



- 19°, 26°, 36°, 50° Lens Tube, Profile Zoom 15°-30°



- Four blade framing system, each shutter blade is adjustable for radial position and angle



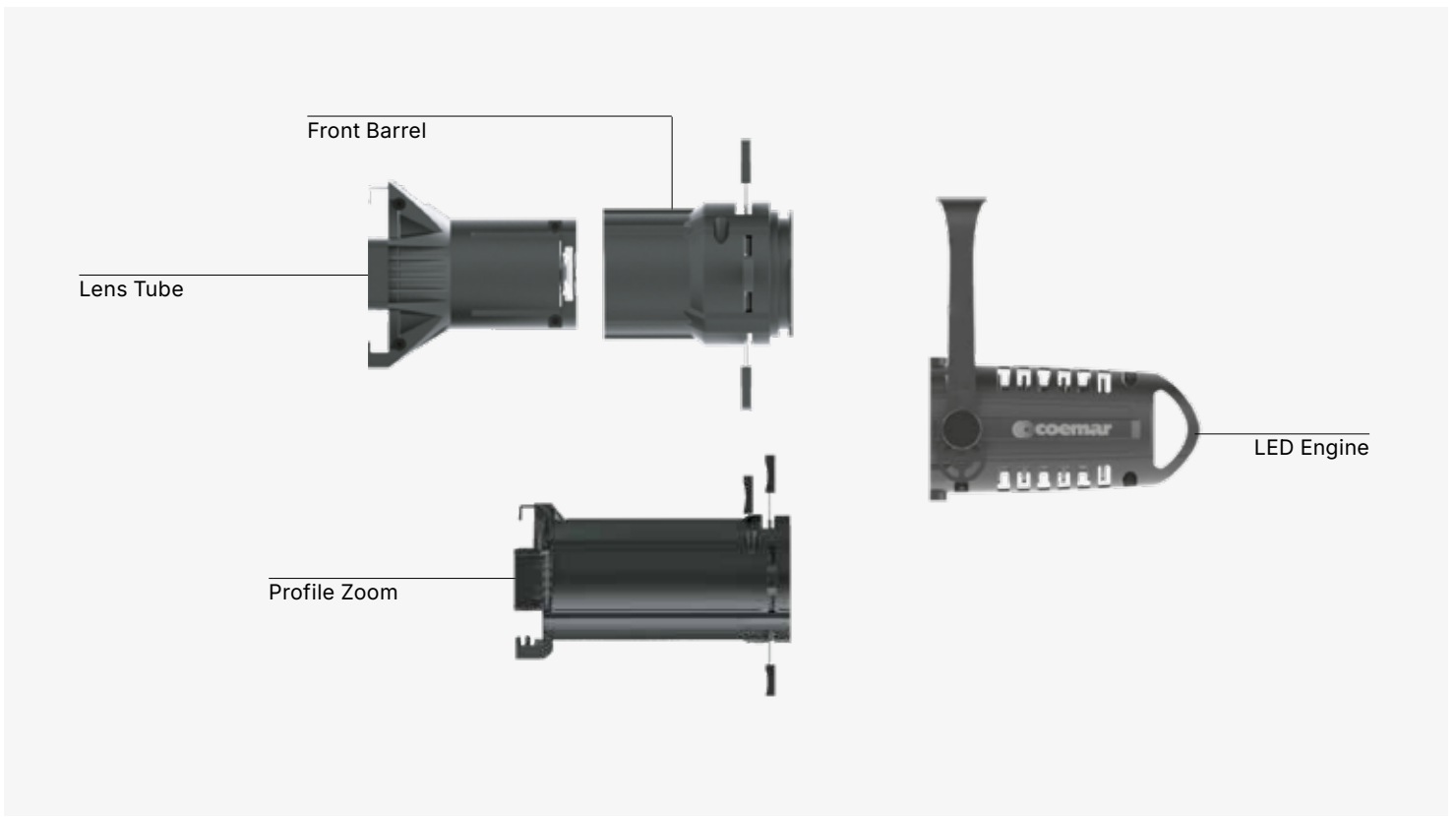
- Full Body in Aluminum



- Custom color on request (optional)



- Track / hanging / ceiling installation



MiniLEDko Profile - Versions

Versions

Family	Version	Optic	Barrel	Accessories	Mounting	Controls
MiniLEDko	Profile	Profile 19°	External Barrel with 4 Shutter Blades	Color Frame Holder Metal Gobo Holder Glass Gobo Holder	Portable Track Canopy	DMX512
		Profile 26°				DALI
		Profile 36°				On - Off
		Profile 50°				On Board Potentiometer Bluetooth App
		Zoom 15°-30°	Integrated Barrel with 4 Shutter Blades			



MiniLEDko Profile - Lens Tube & Profile Zoom

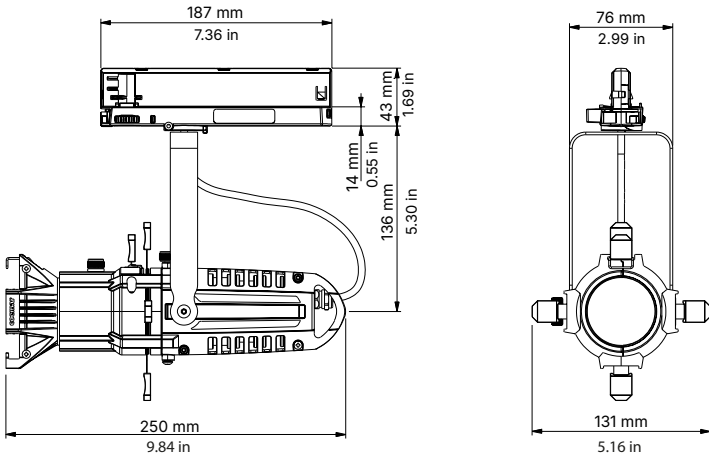


MiniLEDko Profile - Track version with potentiometer knob

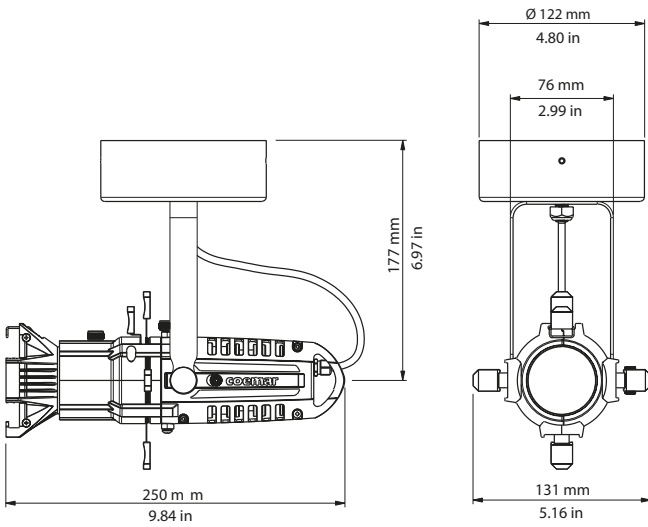


General	
● LED Source	White COB LED (T/D version), Variable White COB LED (VW version)
● CCT Range	●●●●●●●●●● 3.000 K, 5.600 K (only on request 2.700 K, 3.500 K, 4.000 K, 5.000 K, 6.500 K) ●●●●●●●●●● 2.700 K → 6.500 K (VariWhite Version)
● Color Rendition Average	CRI> 96 (96 @3200 K, 97 @5600 K) TLCI >98 (98 @3200 K, 99 @5600 K) CRI >93 TLCI >95 (VariWhite version)
● Light efficiency	Tungsten (3.000 K): Optic 19°: 496 lm Optic 26°: 510 lm Optic 36°: 524 lm Optic 50°: 533 lm Natural White (4.000 K): Optic 26°: 555 lm
● Available Optics	19°, 26°, 36°, 50° Lens Tube, Profile Zoom 15°-30°
● L80 Rating (hours to 80% output)	50.000 Hours
● Pattern Projection	Yes
● Pattern Size	Gobo outside diameter= 26 mm / 1.02 in Max image diameter= 22 mm / 0.86 in Max Gobo thickness= 2mm / 0.08 in (glass gobo)
Electrical	
● Voltage Input	100-240 V, 50/60 Hz (on request available other voltage range)
● Power Consumption	20 W typical - 0.07 A at 230 V, 0.15 A at 115 V - cosφ: 0.9
● Power Connection	1.5 m (4.92 ft) integrated cable without power plug (canopy and portable version)
● Data Connection	In and Out DMX 5 pin locking XLR connectors (DMX version)
Thermal	
● Ambient Operating Temperature	0°C - +40°C (32°F - 104°F)
● Cooling	Passive cooling and fan-free
Control	
● Control Variants	On/Off, On board potentiometer, Dali, Bluetooth App , DMX, Wireless (optional)
● RDM	DMX Setup, Fixture Status, RDM Commands (only DMX version)
Physical	
● Mounting Options	Track, Canopy, Portable (Hook with M10 Thread)
● Materials	Aluminium construction (EN AB-46100 grade)
● Framing System	Four blade framing system, each shutter blade is adjustable for radial position and angle (+/- 30°)
● Rotating Shutter	Assembly 360°
● Fine Texture	High temperature powder-coated paint
● Four Locking	Stainless steel shutters in a two-plane assembly, 0.40mm (AISI 316)
● Weight	1.5 Kg / 3.31 lbs
● Length	With Lens Tube optic: 250 mm / 9.84 in - With Profile Zoom Optic: 280 mm / 11.02 in
● Height	Track: 208 mm / 8.19 in - Canopy: 177 mm / 6.96 in - Portable: 252 mm / 9.92 in
● Width	131 mm / 5.15 in
● IP Rating	IP20
● Color options	Black (standard), custom color on request (optional)
Optics	
BC013A020	Profile Zoom 15° - 30°
BC013A000	Lens Tube Profile 19°
BC013A001	Lens Tube Profile 26°
BC013A002	Lens Tube Profile 36°
BC013A003	Lens Tube Profile 50°
General accessories	
BC013A008	Metal gobo holder (included)
BC013A009	Glass gobo holder (optional)
BC013A100	Front barrel (optional)
BC013A006	Color frame holder (included)
BC015A300	Track adaptor for ceiling or clamp fixing (for track version T/D - clamp not included) (optional)

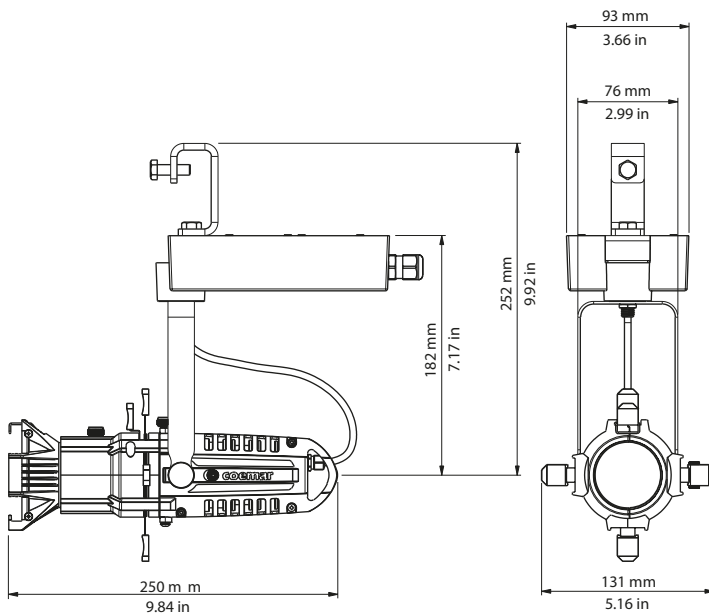
Track version with Lens Tube with potentiometer on-board



Canopy version with Lens Tube

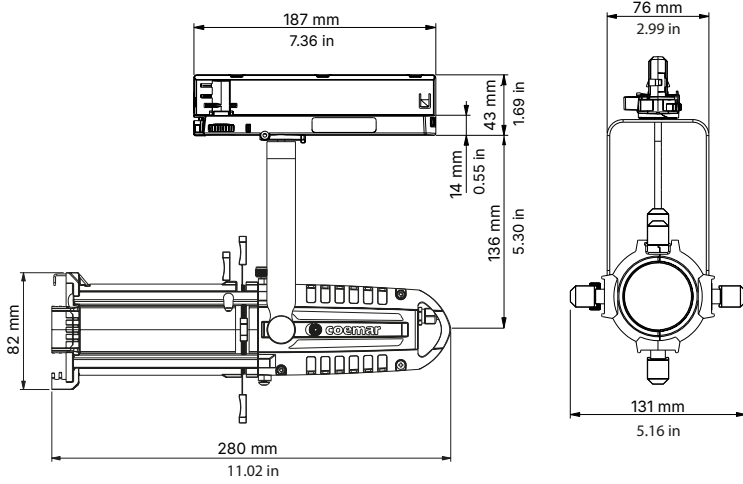


Portable version with Lens Tube

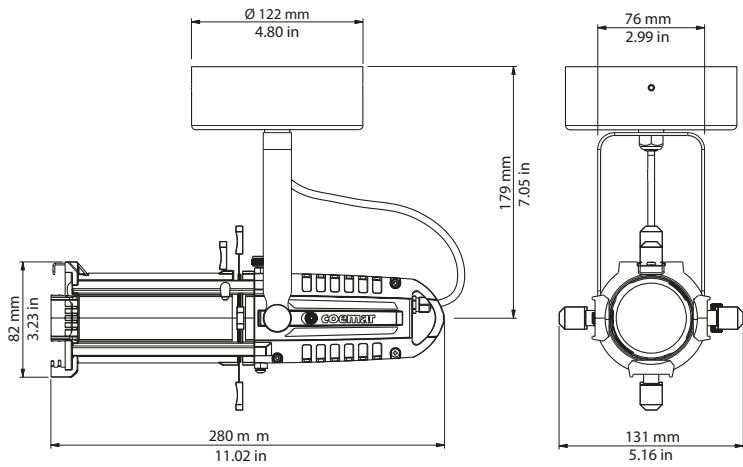


*Hook with M10 Thread

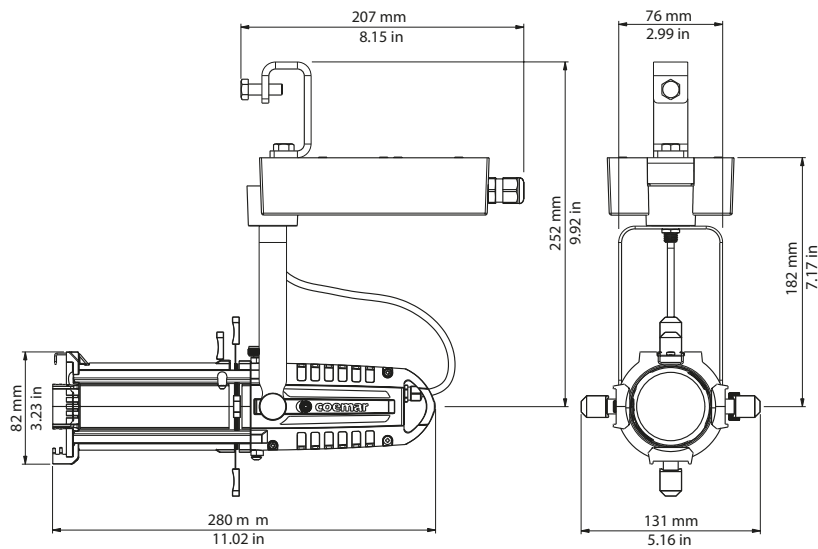
Track version with Profile Zoom with potentiometer on-board



Canopy version with Profile Zoom

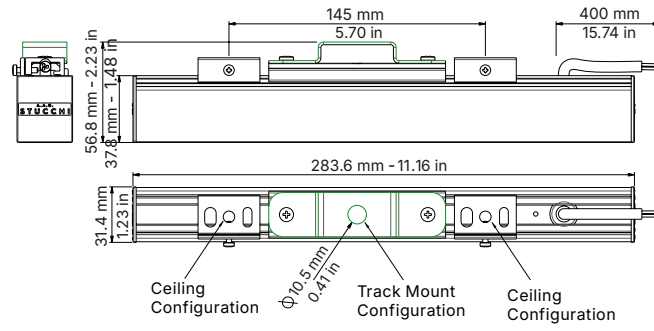


Portable version with Profile Zoom



*Hook with M10 Thread

Track adapter for ceiling or clamp fixing



DALI, DMX versions - Table A

Manufacturer	Type	Model	System
Eutrac	One Track	575 2 1101 575 2 1102 575 2 1103 575 2 1104	3-phase + SIGNAL
Nordic Aluminium	Global Track pulse DALI	XTSC 6x00 XTSCF 6x00 x=1, 2, 3, 4	3-phase + SIGNAL
Powergear	3 Circuits DALI track system	PRO-06X0, 064000 PRO-R6x0, R6400 x=1, 2, 3	3-phase + SIGNAL
Stucchi	One Track Advance	9000A-.../...-ST 9000A-.../...-R	3-phase + SIGNAL
Targetti	Eurostandard Plus	9000A-.../...-ST 9000A-.../...-R	3-phase + SIGNAL

On/Off, On board potentiometer, Bluetooth App versions - Table B *

Manufacturer	Type	Model	System
Eutrac	Surface Track	25-x0 x= 1, 2, 3, 4	3-phase
Ivela	3-phase LKM	7501-x0 x= 1, 2, 3, 4	3-phase
Nordic Aluminium	Global Track Pro	XTS 4x000 x= 1, 2, 3, 4	3-phase
Powergear	3 Circuit Track system	PRO-04x0 x= 1, 2, 3	3-phase

* On/Off, On board potentiometer, Bluetooth App versions products can also be switched on and powered by the tracks indicated in table A, but obviously they cannot be controlled or dimmed via a control signal

MiniLEDko family		LED source		Color		Mounting		IP		Control	
Profile	F113	T (CRI>95)	A	Black	0	None	A	IP20	0	None	A
		D (CRI>95)	B	Silver	1	Track	B			DMX Control	B
		VariWhite	G	White	2	Portable	C			DALI Control	C
				Custom	X	Canopy	D			Bluetooth App Control	D
										On Board Potentiometer Control	E
										On-Off Control	F



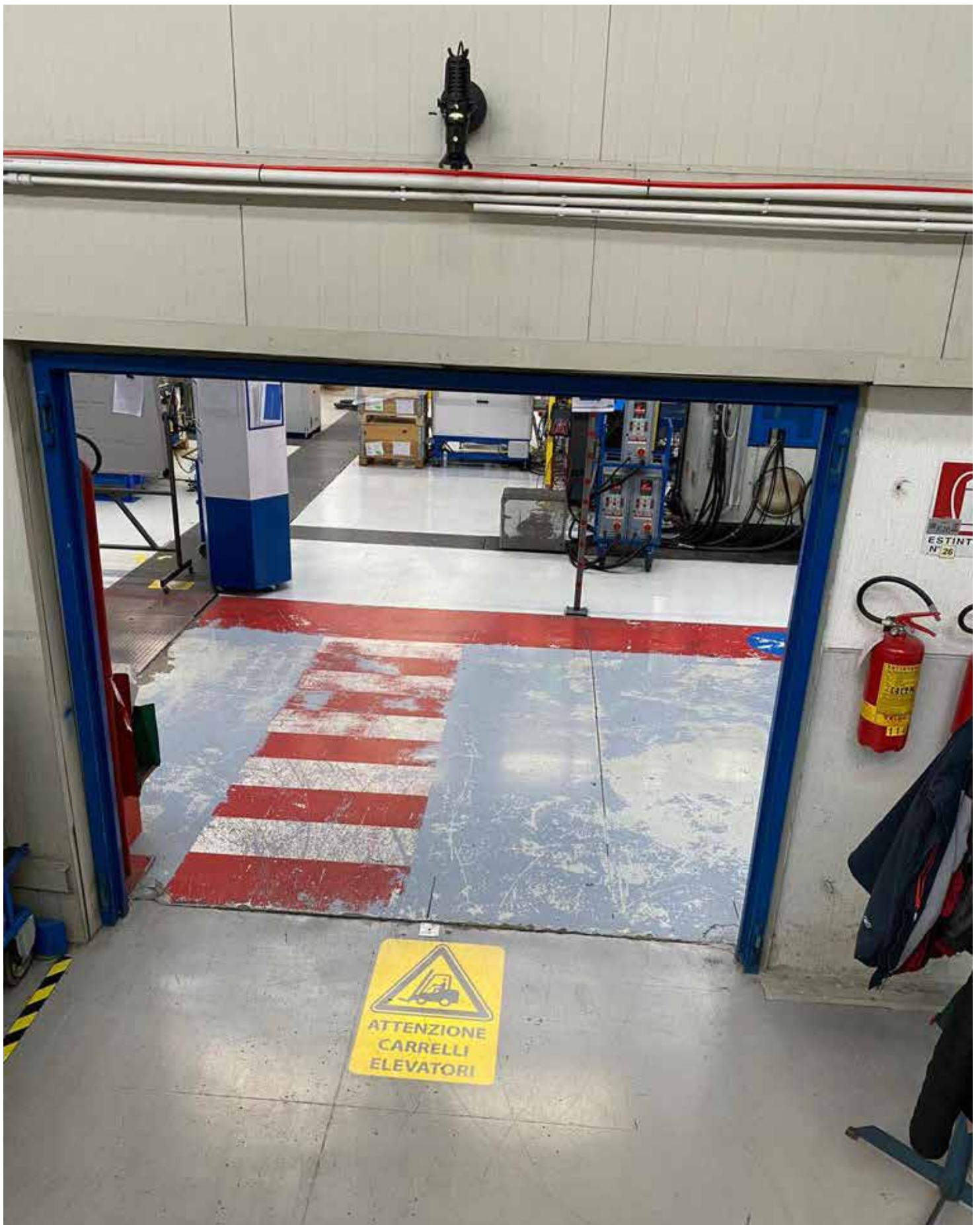
Museum - Louvre Museum, Abu Dhabi

Product	MiniLEDko Profile
CCT	3.000K
CRI	>95
Version	Lens 19° Profile Zoom 15°-30°
Mounting	Track
Light Designer	Tillotson Design Associates
System Integrator	Bewunder



Museum - Museum of the Future, Dubai

Product	MiniLEDko Profile
CCT	2.700K → 5.000K
CRI	>95
Version	Lens 19°, 50°
Control	DMX
Mounting	Track
Light Designer	Light Link



Industrial - Gobo projection for industrial building, Italy

Product	MiniLEDko Profile
CCT	4.000K
CRI	80
Version	Lens 19°
Mounting	Canopy



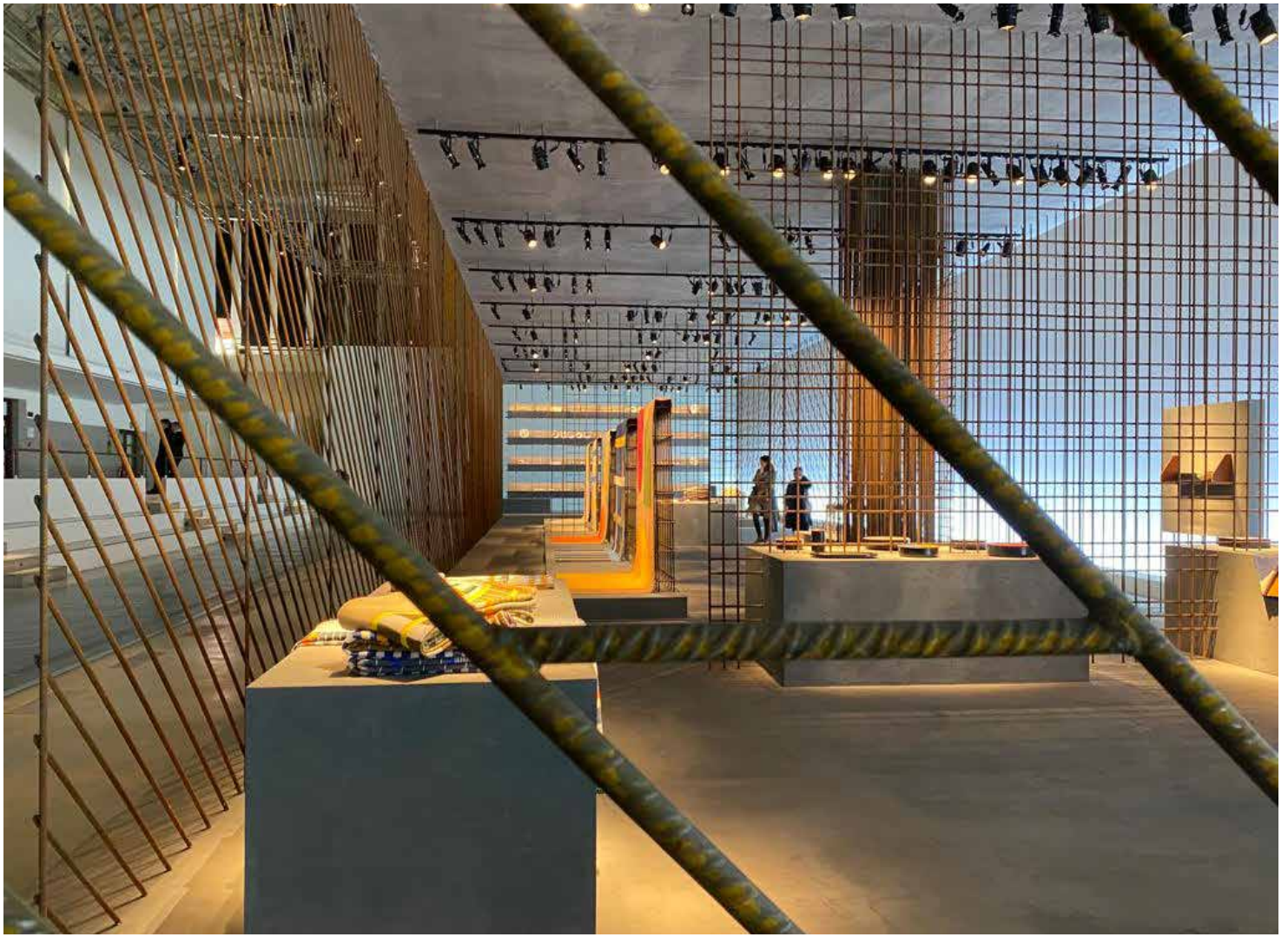
Private House - Painting collection Illumination, Milan

Product	MiniLEDko Profile
CCT	3.200K
CRI	>95
Version	Lens 26°
Control	Dali
Mounting	Track



Theme Park - Città dei bambini, Genoa, Italy

Product	MiniLEDko Profile
CCT	4.000K
CRI	>95
Version	26°, 36°, 50°
Control	Dali
Mounting	Track



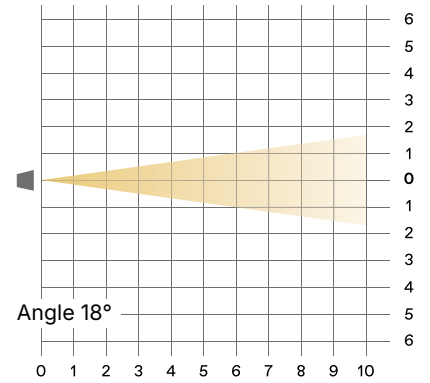
Exhibition - Salone del Mobile, Milan, Italy

Product	MiniLEDko Profile
CCT	3.000K
CRI	> 95
Light Designer	Alessandro Mantero

Mini LEDko Profile Fixed White (High CRI)

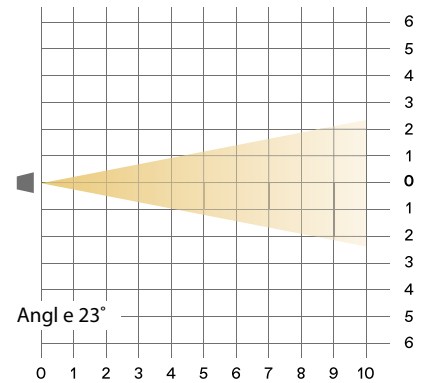
Optic: Lens Tube Profile 19°

Distance(m)	1	2	3	4	5	6	7	8	9	10	
lux	3.000K	9.531	2.383	1.059	596	381	265	195	149	118	95
	5.600K	10.503	2.626	1.167	656	420	292	214	164	130	105
Diameter Ø (m)	0,30	0,60	0,90	1,20	1,49	1,79	2,09	2,39	2,69	2,99	
lux	3.000K	CRI 96	TLCI 99								
	5.000K	CRI 98	TLCI 99								



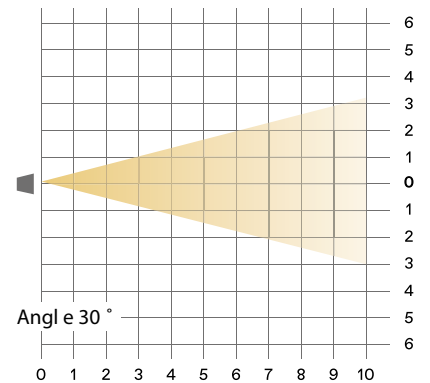
Optic: Lens Tube Profile 26°

Distance(m)	1	2	3	4	5	6	7	8	9	10	
lux	3.000K	4.815	1.204	530	301	193	134	98	75	59	48
	5.600K	5.688	1.422	632	306	228	158	118	89	70	57
Diameter Ø (m)	0,41	0,81	1,22	1,63	2,03	2,44	2,85	3,26	3,66	4,07	
lux	3.000K	CRI 96	TLCI 98								
	5.000K	CRI 98	TLCI 99								



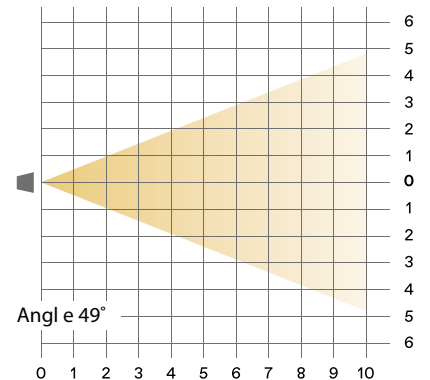
Optic: Lens Tube Profile 36°

Distance(m)	1	2	3	4	5	6	7	8	9	10	
lux	3.000K	3.069	767	341	192	123	85	63	48	38	31
	5.600K	3.690	923	410	231	148	103	75	58	46	37
Diameter Ø (m)	0,54	1,07	1,61	2,14	2,68	3,22	3,75	4,29	4,82	5,36	
lux	3.000K	CRI 97	TLCI 98								
	5.000K	CRI 97	TLCI 99								



Optic: Lens Tube Profile 50°

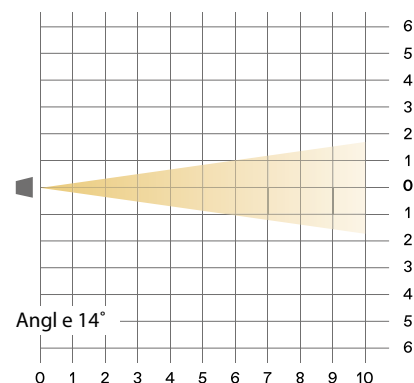
Distance(m)	1	2	3	4	5	6	7	8	9	10	
lux	3.000K	1.512	338	168	95	60	42	31	24	19	15
	5.600K	1.683	421	187	105	67	47	34	26	21	17
Diameter Ø (m)	0,91	1,82	2,73	3,65	4,56	5,47	6,38	7,29	8,20	9,11	
lux	3.000K	CRI 96	TLCI 99								
	5.000K	CRI 07	TLCI 99								



Mini LEDko Profile Fixed White (High CRI)

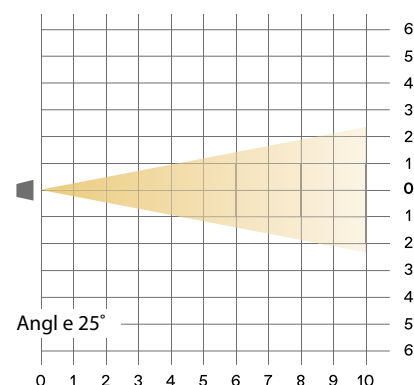
Optic: Zoom Profile 15°-30° - Narrow Zoom

Distance(m)	1	2	3	4	5	6	7	8	9	10	
lux	3.000K	12.834	3.209	1.426	802	513	307	267	201	158	128
	5.600K	14.733	3.683	1.637	921	589	409	301	230	182	147
Diameter Ø (m)	0,25	0,49	0,74	0,98	1,23	1,47	1,72	1,96	2,21	2,48	
lux	3.000K	CRI 96	TLCI 99								
	5.000K	CRI 97	TLCI 99								



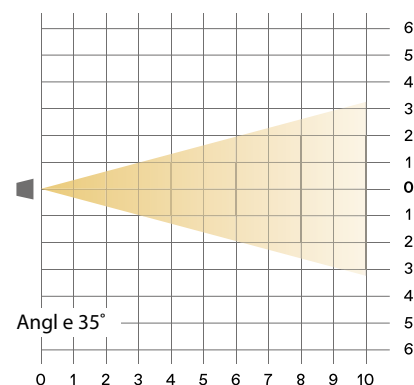
Optic: Zoom Profile 15°-30° - Medium Zoom

Distance(m)	1	2	3	4	5	6	7	8	9	10	
lux	3.000K	4.788	1.197	532	299	192	133	98	75	59	48
	5.600K	6.012	1.503	668	668	240	167	123	94	74	60
Diameter Ø (m)	0,44	0,89	1,33	1,77	2,22	2,66	3,10	3,55	3,99	4,43	
lux	3.000K	CRI 97	TLCI 98								
	5.000K	CRI 98	TLCI 99								



Optic: Zoom Profile 15°-30° - Wide Zoom

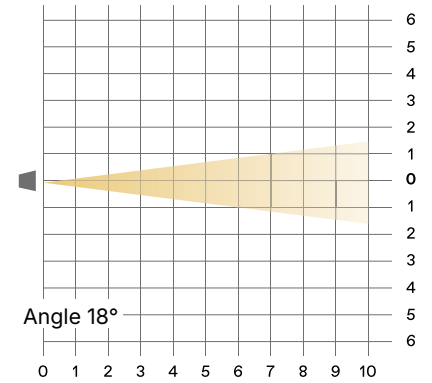
Distance(m)	1	2	3	4	5	6	7	8	9	10	
lux	3.000K	2.574	644	286	161	103	72	53	40	32	26
	5.600K	3.258	815	362	204	130	91	66	51	40	33
Diameter Ø (m)	0,63	1,26	1,89	2,04	3,15	3,78	4,41	5,04	5,68	6,31	
lux	3.000K	CRI 97	TLCI 98								
	5.000K	CRI 98	TLCI 99								



Mini LEDko Profile Fixed White CRI 80

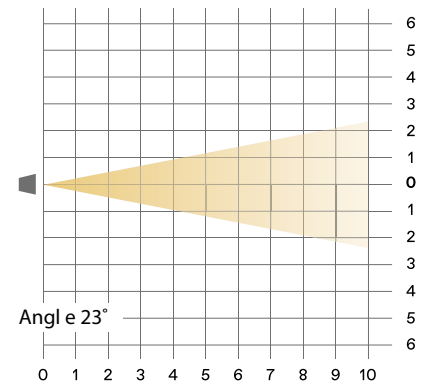
Optic: Lens Tube Profile 19°

Distance(m)	1	2	3	4	5	6	7	8	9	10	
lux	4.000K	12.656	3.164	1.406	791	506	302	258	198	156	127
	5.600K	n.a.	n.a.	n.a.	n.a.	n.a.	n.a.	n.a.	n.a.	n.a.	n.a.
Diameter Ø (m)	0,32	0,63	0,95	1,27	1,58	1,90	2,22	2,53	2,85	3,17	
lux	4.000K	CRI 80	TLCI 64								



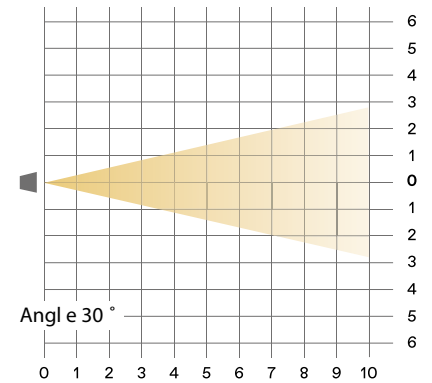
Optic: Lens Tube Profile 26°

Distance(m)	1	2	3	4	5	6	7	8	9	10	
lux	4.000K	7.218	1.805	802	451	289	201	147	113	89	72
	5.600K	n.a.	n.a.	n.a.	n.a.	n.a.	n.a.	n.a.	n.a.	n.a.	n.a.
Diameter Ø (m)	0.41	0,81	1,22	1,63	2,03	2,33	2,85	3,26	3,66	4,07	
lux	4.000K	CRI 80	TLCI 64								



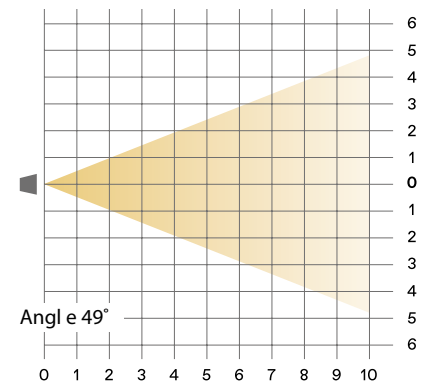
Optic: Lens Tube Profile 36°

Distance(m)	1	2	3	4	5	6	7	8	9	10	
lux	4.000K	4.430	1.109	493	277	177	123	91	69	55	44
	5.600K	n.a.	n.a.	n.a.	n.a.	n.a.	n.a.	n.a.	n.a.	n.a.	n.a.
Diameter Ø (m)	0,54	1,07	1,61	2,14	2,68	3,22	3,75	4,29	4,82	5,36	
lux	4.000K	CRI 80	TLCI 64								



Optic: Lens Tube Profile 50°

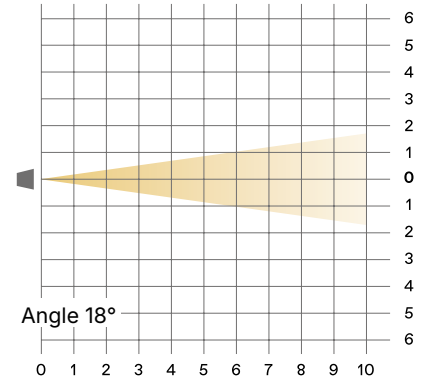
Distance(m)	1	2	3	4	5	6	7	8	9	10	
lux	4.000K	2.187	547	243	137	87	61	45	34	27	22
	5.600K	n.a.	n.a.	n.a.	n.a.	n.a.	n.a.	n.a.	n.a.	n.a.	n.a.
Diameter Ø (m)	0,91	1,82	2,73	3,65	4,56	5,47	6,38	7,29	8,20	9,11	
lux	4.000K	CRI 80	TLCI 64								



Mini LEDko Profile VariWhite

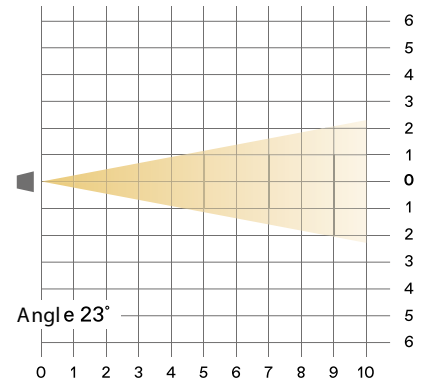
Optic: Lens Tube Profile 19°

Distance(m)	1	2	3	4	5	6	7	8	9	10	
lux	3.000K	5.136	1.284	571	321	205	143	105	80	63	51
	5.600K	5.884	1.471	654	368	230	163	120	92	73	59
Diameter Ø (m)	0,32	0,63	0,95	1,27	1,58	1,90	2,22	2,53	2,85	3,17	
lux	3.000K	CRI 93	TLCI 94								
	5.000K	CRI 94	TLCI 96								



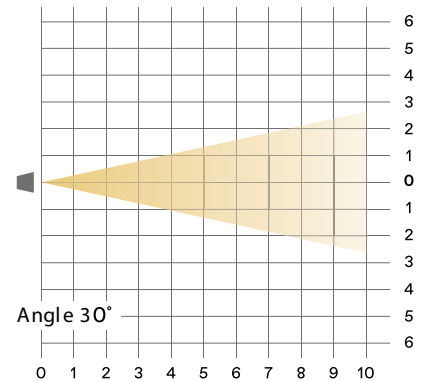
Optic: Lens Tube Profile 26°

Distance(m)	1	2	3	4	5	6	7	8	9	10	
lux	3.000K	3.012	753	330	188	120	84	61	47	37	30
	5.600K	3.648	912	405	228	146	101	74	57	45	36
Diameter Ø (m)	0,41	0,81	1,22	1,63	2,03	2,44	2,85	3,26	3,66	4,07	
lux	3.000K	CRI 93	TLCI 95								
	5.000K	CRI 94	TLCI 96								



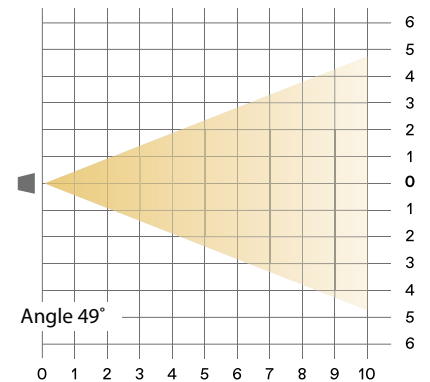
Optic: Lens Tube Profile 36°

Distance(m)	1	2	3	4	5	6	7	8	9	10	
lux	3.000K	1.848	462	205	116	74	51	38	29	23	18
	5.600K	2.036	509	226	127	81	57	42	32	25	20
Diameter Ø (m)	0,54	1,07	1,61	2,14	2,68	3,22	3,75	4,29	4,82	5,36	
lux	3.000K	CRI 93	TLCI 95								
	5.000K	CRI 94	TLCI 96								



Optic: Lens Tube Profile 50°

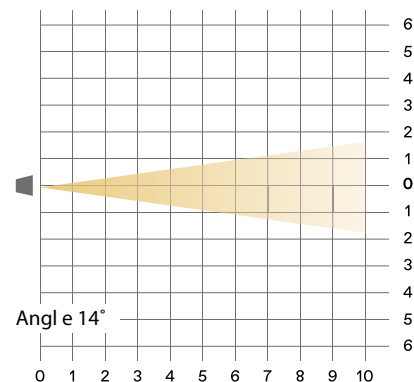
Distance(m)	1	2	3	4	5	6	7	8	9	10	
lux	3.000K	832	208	92	51	33	23	17	13	10	8
	5.600K	968	242	108	61	39	27	20	15	12	10
Diameter Ø (m)	0,91	1,82	2,73	3,65	4,56	5,47	6,38	7,29	8,20	9,11	
lux	3.000K	CRI 93	TLCI 95								
	5.000K	CRI 94	TLCI 96								



Mini LEDko Profile VariWhite

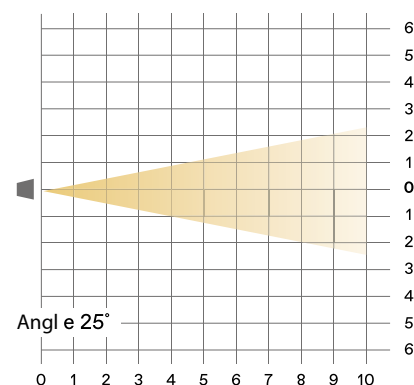
Optic: Zoom Profile 14° - Narrow Zoom

Distance(m)	1	2	3	4	5	6	7	8	9	10	
lux	3.000K	6.000	1.500	667	375	240	167	122	94	74	60
	5.600K	7.016	1.754	780	439	281	195	143	110	87	70
Diameter Ø (m)	0,25	0,49	0,74	0,98	1,23	1,47	1,72	1,96	2,21	2,46	
lux	3.000K	CRI 92	TLCI 95								
	5.000K	CRI 94	TLCI 96								



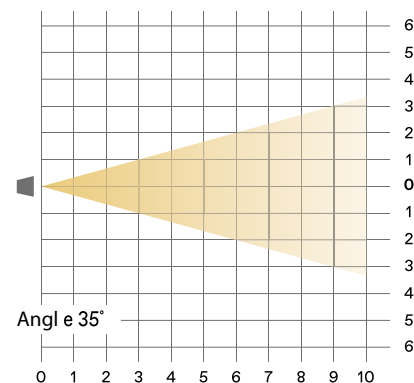
Optic: Zoom Profile 24° - Medium Zoom

Distance(m)	1	2	3	4	5	6	7	8	9	10	
lux	3.000K	3.212	803	307	201	128	89	66	50	40	32
	5.600K	3.424	856	380	214	137	95	70	54	42	34
Diameter Ø (m)	0,44	0,89	1,33	1,77	2,22	2,66	3,10	3,55	3,99	4,43	
lux	3.000K	CRI 92	TLCI 95								
	5.000K	CRI 95	TLCI 96								



Optic: Zoom Profile 34° - Wide Zoom

Distance(m)	1	2	3	4	5	6	7	8	9	10	
lux	3.000K	1.708	427	180	107	68	47	30	27	21	17
	5.600K	1.812	453	201	113	72	50	37	28	22	18
Diameter Ø (m)	0,63	1,26	1,89	2,52	3,15	3,78	4,41	5,04	5,68	6,31	
lux	3.000K	CRI 92	TLCI 95								
	5.000K	CRI 94	TLCI 96								



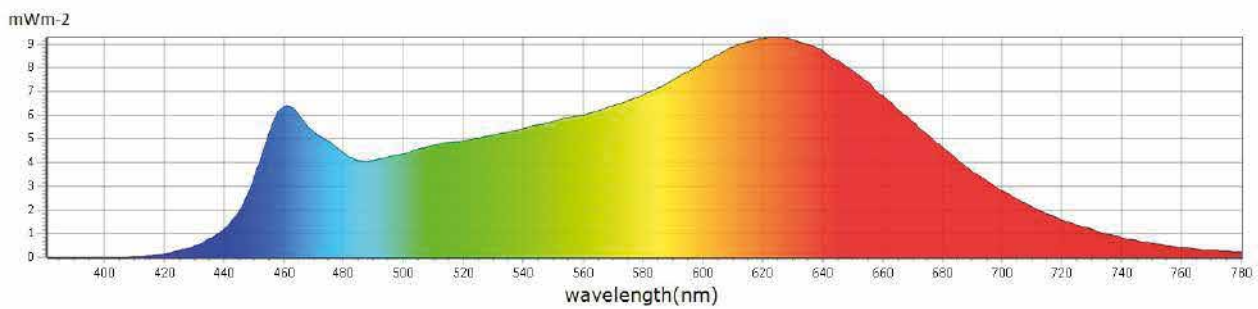
Mini LEDko Profile VariWhite 36° Lens Tube

3200K Test Report

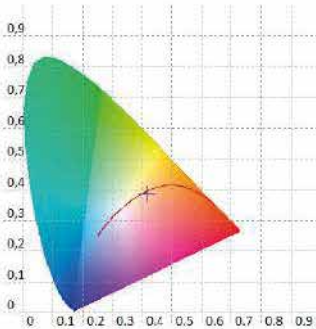
BASIC

CCT	: 3278 K
x	: 0,4135
y	: 0,3853
LambdaD	: 583 nm
LambdaP	: 625 nm

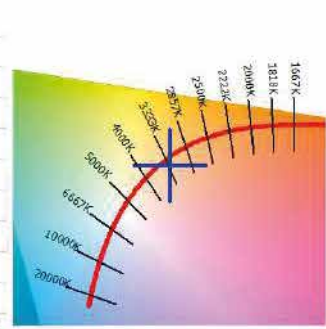
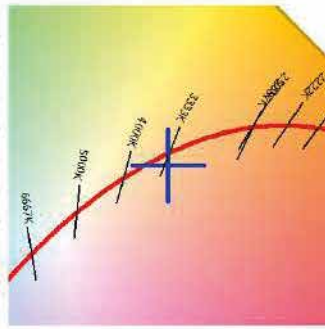
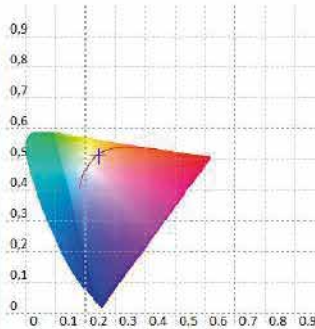
Spectrum



CIE1931



CIE1976

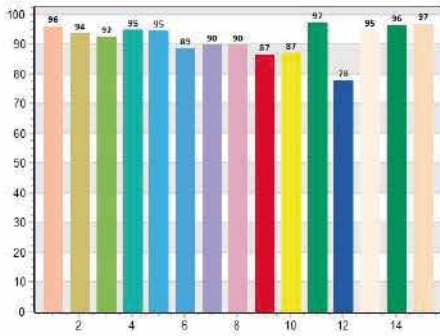


Features

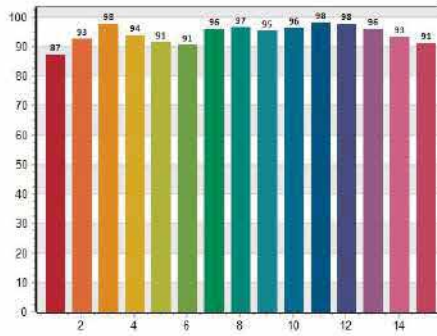
CCT : 3278 K	x10 : 0,4176	delta-x : -0,0049	LambdaD : 583 nm	PPFD : 7,591 $\mu\text{molm}^{-2}\text{s}^{-1}$	S/P : 1,69	R3 : 92,4	R10 : 87,3
LUX : 462,9 lx	y10 : 0,3885	delta-y : -0,0116	LambdaP : 625 nm	PFD : 8,092 $\mu\text{molm}^{-2}\text{s}^{-1}$	IRR : 1,653	R4 : 94,8	R11 : 97,3
I-Time : 28000 us	u'10 : 0,2447	delta-u' : 0,0017	Purity : 39,89%	PFD-B : 1,098 $\mu\text{molm}^{-2}\text{s}^{-1}$	CQS : 93,4	R5 : 94,7	R12 : 77,9
x : 0,4135	v'10 : 0,5122	delta-v' : -0,0055	fc : 43,02	PFD-G : 2,751 $\mu\text{molm}^{-2}\text{s}^{-1}$	CRI : 92,5	R6 : 88,7	R13 : 94,8
y : 0,3853	X : 496,84	Duv : -0,0041	Rf : 89,1	PFD-R : 3,742 $\mu\text{molm}^{-2}\text{s}^{-1}$	TLCI : 94,8	R7 : 89,8	R14 : 96,4
u' : 0,2434	Y : 462,91	MEL : 325,4 lx	Rg : 96,7	PFD-UV : 0,0000 $\mu\text{molm}^{-2}\text{s}^{-1}$	R1 : 96,2	R8 : 90,0	R15 : 96,9
v' : 0,5102	Z : 241,73	LambdaPV : 9,283	GAI : 68,0	PFD-FR : 0,5006 $\mu\text{molm}^{-2}\text{s}^{-1}$	R2 : 93,6	R9 : 86,7	

Mini LEDko Profile VariWhite 36° Lens Tube
3200K Test Report

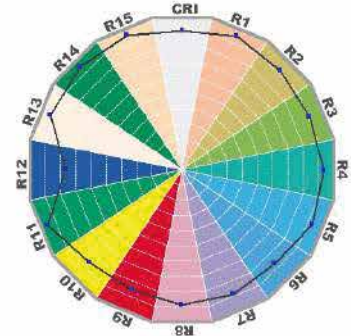
■ CRI: 92,51



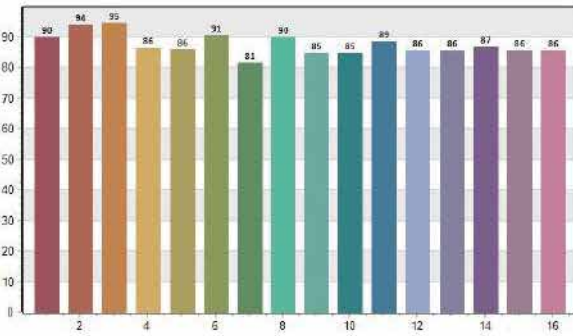
■ CQS: 93,38



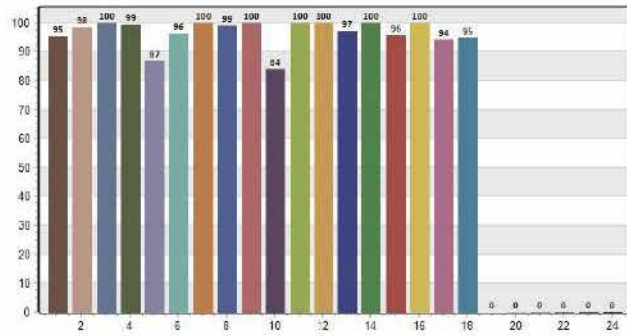
■ CRI-2



■ TM30: 89,08



■ TLCI: 94,75



CRI values, only R1-R8 are used to calculate final CRI

R1	R2	R3	R4	R5	R6	R7	R8	R9	R10	R11	R12	R13	R14	R15
96,2	93,6	92,4	94,8	94,7	88,7	89,8	90,0	86,7	87,3	97,3	77,9	94,8	96,4	96,9

TM30 C values, 16 binned values out of total of 99 C values

C1	C2	C3	C4	C5	C6	C7	C8	C9	C10	C11	C12	C13	C14	C15	C16
89,8	94,1	94,5	86,4	85,9	90,5	81,5	89,8	84,6	84,7	88,6	85,5	85,7	86,7	85,5	85,6

CQS Q values

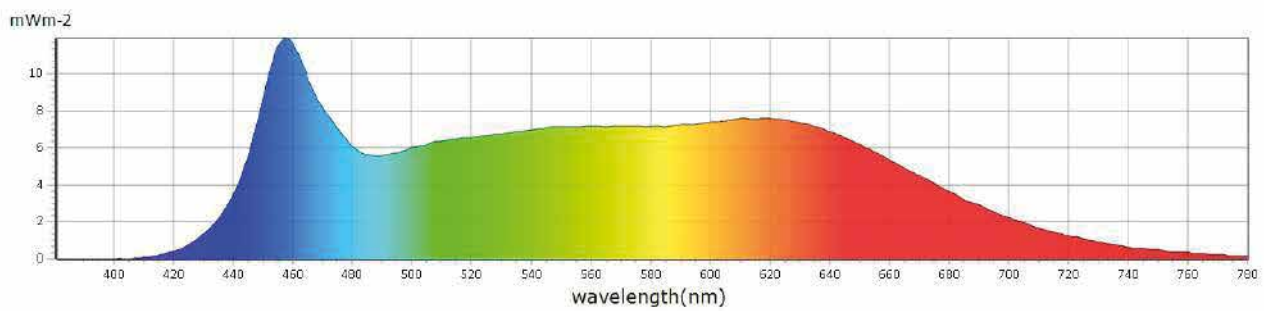
Q1	Q2	Q3	Q4	Q5	Q6	Q7	Q8	Q9	Q10	Q11	Q12	Q13	Q14	Q15
87,4	92,6	97,7	94,0	91,4	90,6	95,0	96,6	95,3	96,2	98,1	97,8	96,0	93,2	91,2

Mini LEDko Profile VariWhite 36° Lens T ube
5000K T est Report t

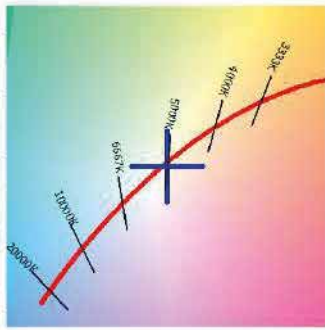
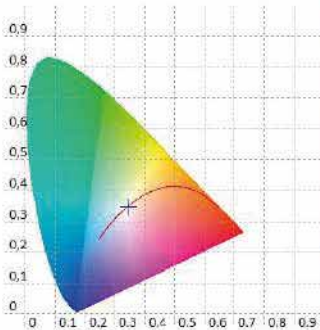
■ BASIC

CCT	: 5014 K
x	: 0,3444
y	: 0,3475
LambdaD	: 575 nm
LambdaP	: 457 nm

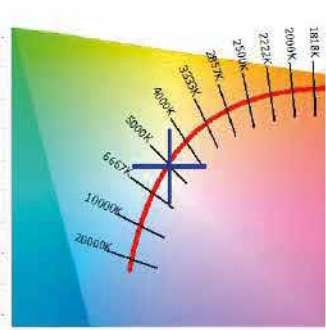
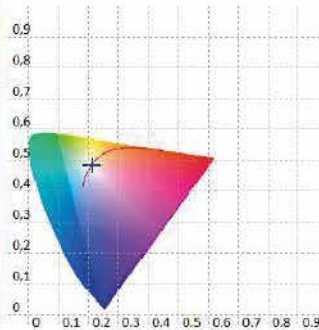
■ Spectrum



■ CIE1931



■ CIE1976

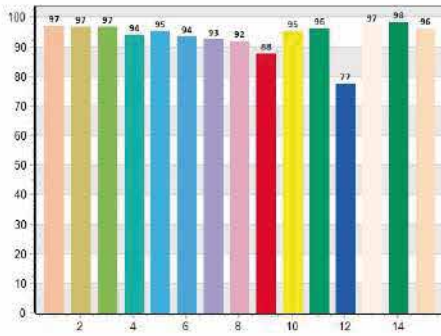


■ Features

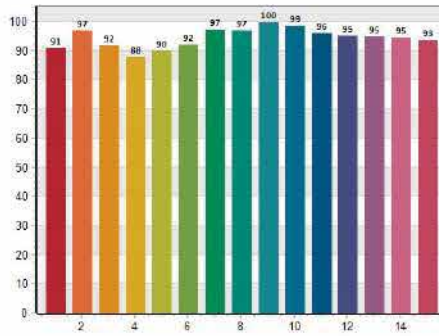
CCT : 5014 K	x10 : 0,3479	delta-x : -0,0004	LambdaD : 575 nm	PPFD : 8,121 umolm-2s-1	S/P : 2,17	R3 : 96,9	R10 : 95,3
LUX : 509,7 lx	y10 : 0,3521	delta-y : -0,0038	LambdaP : 457 nm	PFD : 8,517 umolm-2s-1	IRR : 1,813	R4 : 94,0	R11 : 96,2
I-Time : 16000 us	u'10 : 0,2131	delta-u' : 0,0012	Purity : 7,58%	PFD-B : 1,911 umolm-2s-1	CQS : 93,5	R5 : 95,4	R12 : 77,5
x : 0,3444	v'10 : 0,4853	delta-v' : -0,0019	fc : 47,37	PFD-G : 3,193 umolm-2s-1	CRI : 94,8	R6 : 93,6	R13 : 97,5
y : 0,3475	X : 505,07	Duv : -0,0018	Rf : 91,0	PFD-R : 3,017 umolm-2s-1	TLCI : 96,0	R7 : 92,6	R14 : 98,3
u' : 0,2125	Y : 509,68	MEL : 486,7 lx	Rg : 98,0	PFD-LIV : 0,0004 umolm-2s-1	R1 : 97,0	R8 : 92,1	R15 : 96,2
v' : 0,4825	Z : 451,93	LambdaPV : 11,93	GAI : 89,6	PFD-FR : 0,3955 umolm-2s-1	R2 : 96,7	R9 : 87,9	

Mini LEDko Profile VariWhite 36° Lens Tube
5000K Test Report

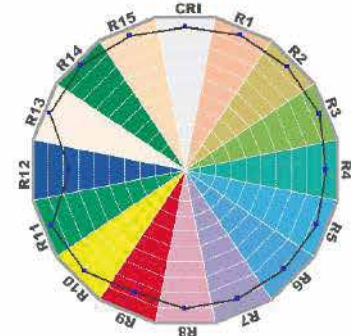
■ CRI: 94,79



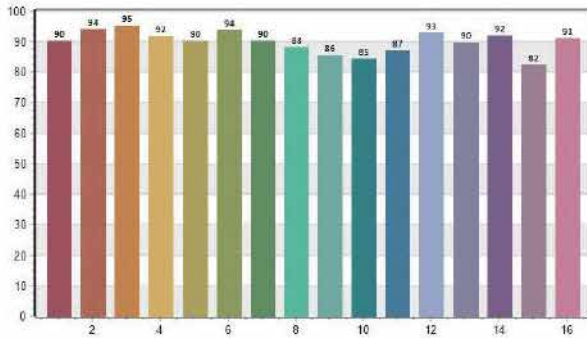
■ CQS: 93,53



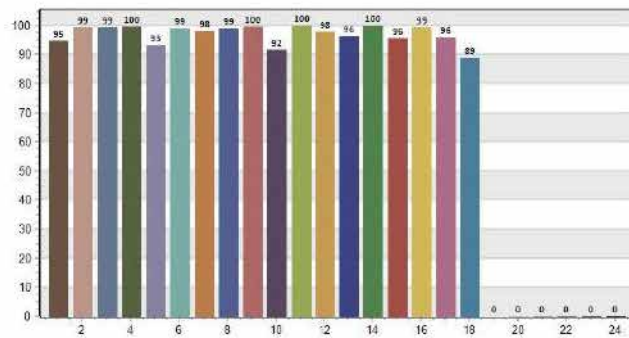
■ CRI-2



■ TM30: 90,97



■ TLCI: 95,97



CRI values, only R1-R8 are used to calculate final CRI

R1	R2	R3	R4	R5	R6	R7	R8	R9	R10	R11	R12	R13	R14	R15
97,0	96,7	96,9	94,0	95,4	93,6	92,6	92,1	87,9	95,3	96,2	77,5	97,5	98,3	96,2

TM30 C values, 16 binned values out of total of 99 C values

C1	C2	C3	C4	C5	C6	C7	C8	C9	C10	C11	C12	C13	C14	C15	C16
90,3	94,0	95,3	91,7	90,2	93,8	90,2	88,4	85,5	84,6	87,0	93,0	89,8	92,2	82,4	91,1

CQS Q values

Q1	Q2	Q3	Q4	Q5	Q6	Q7	Q8	Q9	Q10	Q11	Q12	Q13	Q14	Q15
90,9	97,1	91,7	87,9	89,9	92,1	97,2	97,1	99,7	98,6	96,2	95,1	94,7	94,6	93,5

● Coemar Lighting S.r.l.

Via Carpenedolo, 90
46043, Castiglione delle Stiviere (MN) – Italy

P. +39 0376 1514412
M1. info@coemar.com
M2. service@coemar.com
W. coemar.com

P.iva – C.f. 02415330204



Coemar reserves the right to change specifications without prior notice.

Last Update: 04 February 2025 - vrs. 4.8