

Technical Brochure



C4 LED

Strobe Series

C4 LED



KEY FEATURES

- LED soft light, ideal for broadcast segment
- Indirect illumination, fully uniform colormix
- Guaranteed Flicker-free operation (DMX controlled PWM frequency)
- 250W RGBW LED light source
- Ideal digital substitute of the analog 1500W Strobes with noisy scrollers
- Pre-programmed effects synchronizable via DMX
- No maintenance required





C4 LED Side Vision

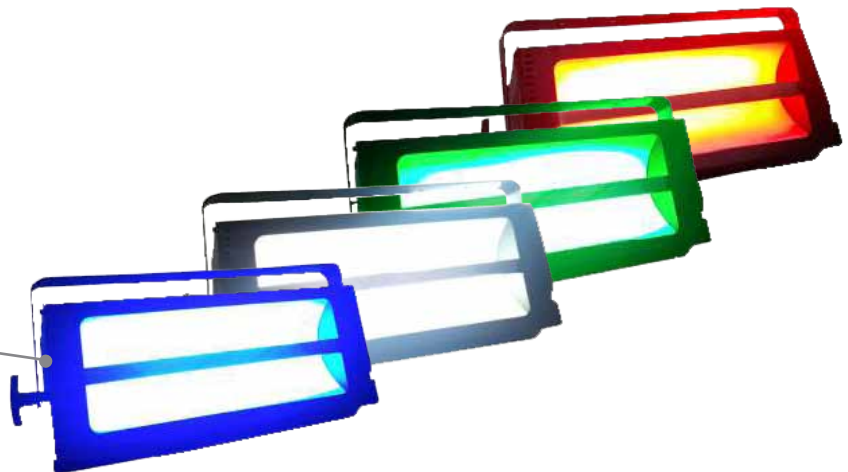


C4 LED Rear Panel



C4 LED Front Vision

RGBW
Color mixing



C4 LED RGBW

SPECIFICATIONS

RGBW color mixing system

White color temperature from 3200 to 9000 K

Electronic dimmer from 0% to 100%

Light project angle of 120°

Electronic control of the cooling system

Synchronized, random or pulse electronic strobe

Tempered frontal polycarbonate (uv)

Guaranteed Flicker-free operation, LEDs frequency controlled via DMX from 600 Hz to 19000 Hz

Aluminium extruded and steel body

Digital internal library of white color temperature

Double dissipation system: air forced heat pipe and fan (4 different speed selection)

PHYSICAL SIZE

Length: 207 mm (8.1 in)

Width: 526 mm (20.7 in)

Height with bracket: 269 mm (10.6 in)

Weight: 8 Kg (17.6 lbs)

LIGHT SOURCE

96 Cree LEDs (24R + 24G + 24B + 24W)

CONTROL PROTOCOL AND PROGRAMMING

USITT DMX512/1990

DMX Channels: 13

Setting, addressing, testing and measurements via LEDs display

Pre-programmed internal effects

ELECTRONICAL SPECIFICATIONS/CONNECTIONS

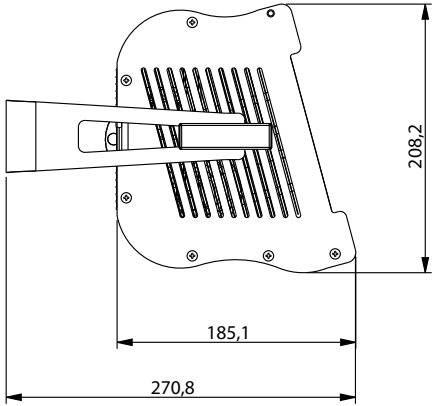
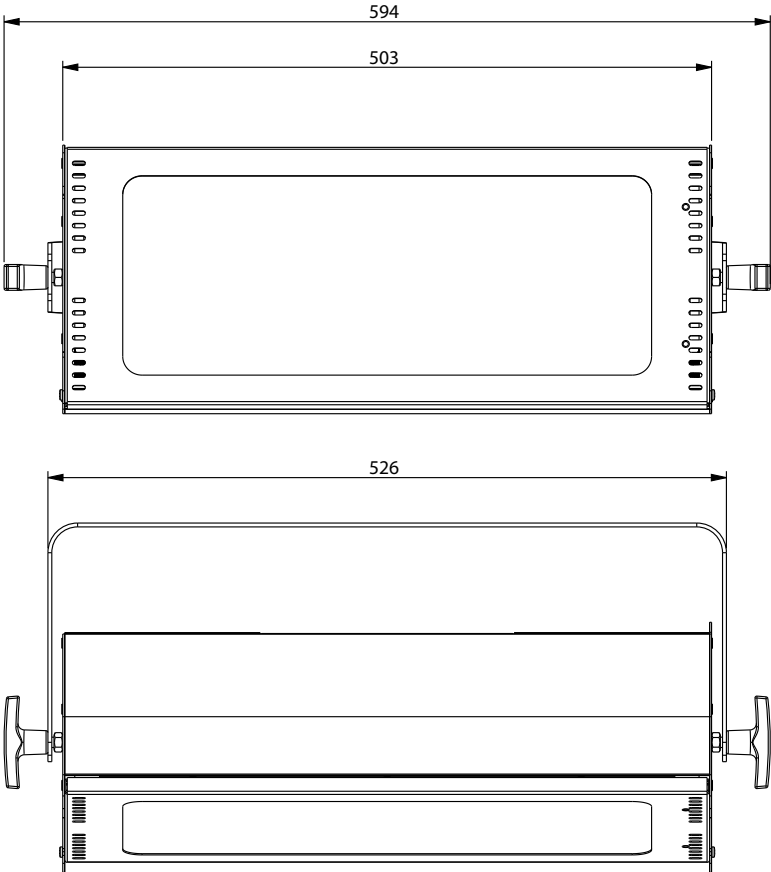
AC power: 90-240 V, auto sensing, 50/60 Hz, 2 m (6.6ft)

PowerCon cable without power plug

In and Out PowerCon connectors to feed up to 10 (at 230 VAC) or 5 (at 90 VAC)

Power consumption: 1.2 A at 230V, 2.43 A at 115V-cosφ 0.9

DMX data in/out: XLR 3 M/F and XLR 5 M/F





Coemar Lighting Srl

Via Inghilterra, 2

46042 Castel Goffredo

Mantova - Italy

ph. +39 0376 1514412

fax. +39 0376 1514380

info@coemar.com

www.coemar.com