

LEDko EXT Basic D

Product code:
F124F001A (CRI 80)
F124D001A (CRI 90)

Last update:
16/07/2024



LEDko EXT Basic D

Introducing

● The LEDko EXT Basic has been specifically developed for applications in which there is no need for an accurate DMX control of the fixture. The LEDko EXT Basic engine is the same as of the EXT version (i.e. fixed tungsten or daylight only) and can be used on a on/off basis only (no DMX control). The LEDko EXT Basic includes a Four blade framing system with gobo holder and zoom lens system ranging from 14° to 35°, 10° to 25° or from 30° to 60° and optic 80°.

Key Features



- LED Profile Spot IP65 for permanent Outdoor installation
- Daylight COB LED



- CRI > 80 or CRI > 90



- Fixed white CCT 5.600 K



- Profile zoom from 14° to 35°, 10° to 25°, 30° to 60° and optic 80°



- Four blade framing system, each shutter blade is adjustable for radial position and angle



- Internal gobo holder



- Die-cast aluminium (Anti-Salt treatment)



- Custom color on request (optional)

General	
● LED Source	Daylight COB LED (CRI 80 or CRI 90)
● CCT Range	● ● ● ● ● Fixed white 5.600 K
● Color Rendition Average	CRI> 80 or CRI> 90
● Light efficiency	Profile Zoom 10°-25° Zoom min: 7543 lm, Zoom med: 8080 lm, Zoom max: 6925 lm
	Profile Zoom 14°-35° Zoom min: 6226 lm, Zoom med: 7075 lm, Zoom max: 7268 lm
	Profile Zoom 30°-60° Zoom min: 7525 lm, Zoom med: 7619 lm, Zoom max: 7601 lm
	Lens Tube Profile 80° 7694 lm
● Available Optics	Profile zoom from 10° to 25°, 14° to 35°, 30° to 60° and optic 80°
● Camera flicker free	Yes
● Calibrated Cob	Yes
● L80 Rating (hours to 80% output)	50.000 Hours
● Pattern projection	Yes
● Pattern size	A or B Gobo outside diameter= 86 mm / 3.38 in Max image diameter= 64.5 mm / 2.53 in

Electrical	
● Voltage Input	90-305 V, 50/60 Hz, auto-sensing
● Power Consumption	140 W Maximum - 0.6 A at 230 V, 1.27 A at 115 V - cosφ 0.96
● Power Connection	1.5 m power cable bare ends

Thermal	
● Ambient Operating Temperature	-40°C - +40°C (-40°F - 104°F)
● Fan	Yes

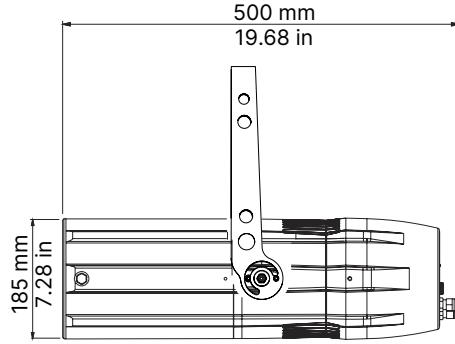
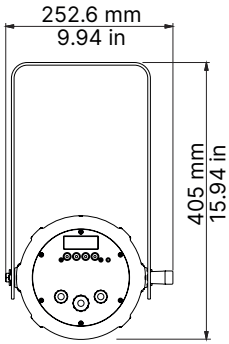
Control	
● Control	On/Off

Physical	
● Mounting Options	Yoke
● Materials	Die-cast aluminum (Anti-Salt treatment)
● Framing System	Removable Four blade framing system, each shutter blade is adjustable for radial position and angle
● EPA	Projector front area: 32239.2 sq.mm (0.3470 sq.ft), projector side area: 160176 sq.mm (1.72404 sq.ft)
● IP Rating	IP65
● Color Options	Black (standard), custom color on request (optional)

Optics	
BC10029A002	Profile Zoom 10°-25°
BC10029A000	Profile Zoom 14°-35°
BC10029A004	Profile Zoom 30°-60°
BC10029A005	Lens Tube Profile 80°

General accessories	
BC10028A000	Removable four blade framing system with gobo holder
BC10029A003	Frame Holder (included)

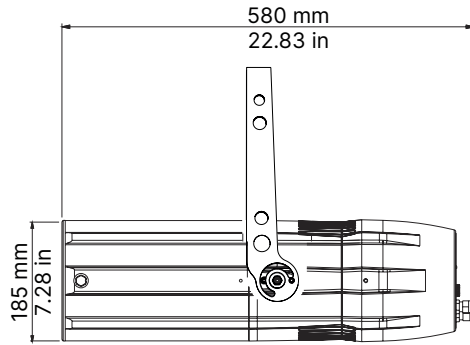
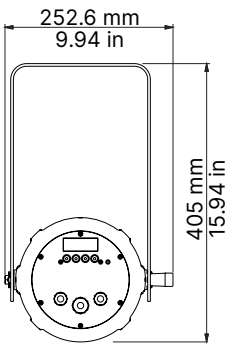
LEDko EXT 80° Optic



Length	Width	Height	Weight
500 mm 19.68 in	252.6 mm 9.94 in	185 mm 7.28 in	12.1 Kg 26.6lbs

With
bracket:
405 mm
15.94 in

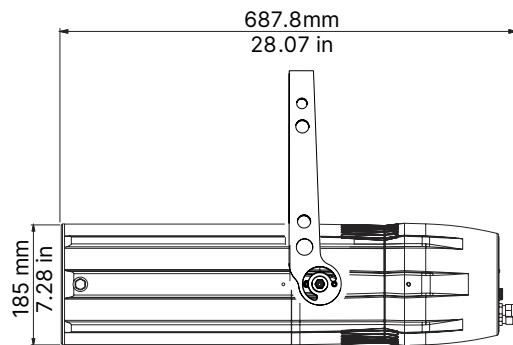
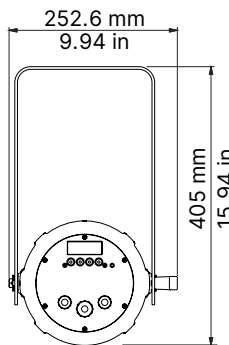
LEDko EXT 30°-60° Zoom



Length	Width	Height	Weight
580 mm 22.83 in	252.6 mm 9.94 in	185 mm 7.28 in	12.6 Kg 27.7 lbs

With
bracket:
405 mm
15.94 in

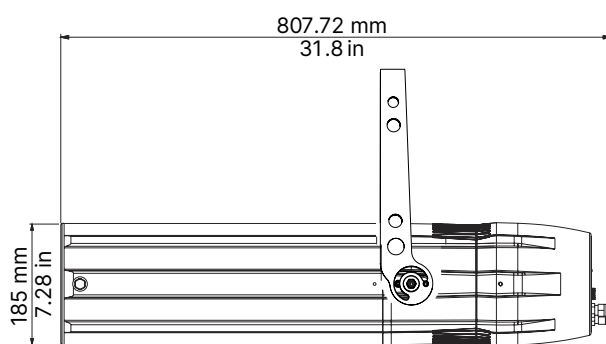
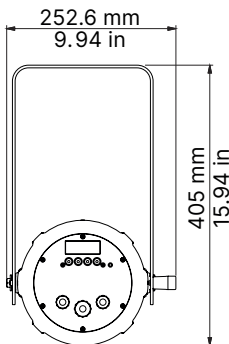
LEDko EXT 14°-35° Zoom



Length	Width	Height	Weight
687.8 mm 27.07 in	252.6 mm 9.94 in	185 mm 7.28 in	14 Kg 30.8 lbs

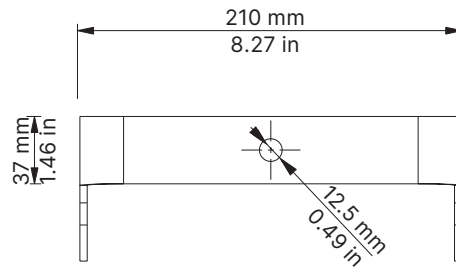
With
bracket:
405 mm
15.94 in

LEDko EXT 10°-25° Zoom



Length	Width	Height	Weight
807.2 mm 31.8 in	252.6 mm 9.94 in	185 mm 7.28 in	15 Kg 33.1 lbs

With
bracket:
405 mm
15.94 in





Architectural Outdoor - Antico Caseificio Tricolore, Italy

Product	LEDko EXT Basic D
CCT	5.600K
CRI	>90
Version	Black 15°-40°
Installation	Cacciavillani Srl

● Coemar Lighting S.r.l.

Via Carpenedolo, 90
46043, Castiglione delle Stiviere (MN) – Italy

P. +39 0376 1514412

M1. info@coemar.com

M2. service@coemar.com

W. coemar.com

P.iva – C.f. 02415330204

