

LEDko EXT FullSpectrum Dual Gobo Rotator +

Product code:
F128T001A

Last update:
21/02/2024



LEDko EXT FullSpectrum Dual Gobo Rotator

Introducing

● The **LEDko EXT family** has been designed to meet the needs of architects and lighting designers, who were looking for **weatherproof lighting fixtures** suitable not only for temporary, but also for **permanent outdoor installations**.

This unique IP 65 LED Profile Spot Light includes a **dual gobo rotator engine** controllable by DMX: in this way the two gobos can be used at the same time in counter-rotation to create impressive dynamic effects such as water, fire, rain, etc.

The **four-blade framing system** is however available as an accessory and can be used instead of the dual gobo rotator.

A **zoom lens** system ranging from 14° to 35°, 10° to 25°, 30° to 60° or fixed at 80°, bare ends power input cable and in/out 5 pin XLR connectors for DMX signal rated IP 65 complete the product profile. The fixture has in addition a **lockable display** thanks to a freely selectable security pin code.

Fixed white CCT (3.200 K or 5.600 K) and RGBLA color versions available.

Key Features

- Spot projector for dynamic lighting effects
- Dual gobo rotator engine controllable by DMX
- RGBLA color mixing (Red, Green, Blue, Lime, Amber)
- CCT Proportional control from 2.700 K → 10.000 K
- IP65 (weatherproof)
- For permanent outdoor installation
- Available zoom: 14°-35°, 10°-25°, 30°-60° and optic 80°
- Four blade framing system (optional accessory)
- Die-cast aluminum (Anti-Salt treatment)
- Custom color on request (optional)
- European Conformity certification

General	
● LED Source	RGBLA LEDs module
● CCT Range	●●●●● Proportional control from 2.700 K → 10.000 K
● Color Rendition Average	CRI> 85
● Dimming	Smooth 100% to 0%, 5 Selectable Curves - Exponential, Logarithmic, Linear, Halo and Standard
● Dimming Smooth Selection	Fast, Slow and Very Slow
● Strobe	Pulse electronic strobe
● Rotating gobo	Yes, two overlapping rotating gobos
● Lens	Zoom from 14° to 35° or from 10° to 25°, 30° to 60° and optic 80°
● Camera flicker control/Hz range	Flicker-free operation with LEDs frequency controlled via DMX from 600 to 20.000 Hz
● Calibrated Cob	Yes
● Electronics Type	Guaranteed flicker-free
● L80 Rating (hours to 80% output)	50.000 Hours
● Pattern Projection	Yes
● Pattern Size	A or B Gobo outside diameter= 86 mm / 3.38 in Max image diameter= 64.5 mm / 2.53 in
Electrical	
● Voltage Input	80-264 V, 50/60 Hz, auto-sensing
● Power Consumption	285 W Maximum - 1.26 A at 230 V, 2.53 A at 115 V - cosφ 0.98
● Power Connection	Integral cable Bare Ends
● Data Connection	In/Out IP65 DMX Signal Junction Connector (Cod Art. RCN 73)
Thermal	
● Ambient Operating Temperature	-40° - +40°C (-40° - + 104° F)
● Fan (controllable)	Yes, 2 different settings: Silent and Auto
Control	
● Protocols	DMX-512, RDM (Remote Device Management), Wireless (optional by LumenRadio)
● RDM configuration	Yes
● DMX Channels	19 / 10 / 4 / Studio mode / RGB mode
● Display	Graphic OLED
● Firmware upgrade	Through DMX with RDM Upgrade USB interface (code AC10011A001)
Physical	
● Mounting	Yoke
● Materials	Die-cast aluminum (Anti-Salt treatment)
● EPA	Projector front area: 41599.2 sq.mm (0.4476 sq.ft), projector side area: 192211 sq.mm (2.0689 sq.ft)
● IP Rating	IP65 (weatherproof)
● Color options	Black (standard), custom color on request (optional)
Optics	
BC10029A002	Profile Zoom 10°-25°
BC10029A000	Profile Zoom 14°-35°
BC10029A004	Profile Zoom 30°-60°
BC10029A005	Lens Tube Profile 80°
General accessories	
BC10028A000	Four blade framing system (this accessory can be installed as an alternative to the dual gobo rotator)
BC10029A003	Frame Holder
BC10029A100	LEDko EXT wireless kit
BC10028A001	Metal key for gobo mounting (included)
RME34/G	DMX end of line closure cap (indispensable for the last projector of the line)

19 Channels

01 → Master Dimmer
02 → Red
03 → Green
04 → Blue
05 → Spare Channel
06 → Lime
07 → Amber
08 → Strobe Effect
09 → Dimmer Fine
10 → Special Functions
11 → Red Tone
12 → Green Tone
13 → Blue Tone
14 → White Tone
15 → Green Saturation
16 → Saturation
17 → Gobo Rotation Speed
18 → Gobo 1 Speed
19 → Gobo 2 Speed

10 Channels

01 → Master Dimmer
02 → Red
03 → Green
04 → Blue
05 → Spare Channel
06 → Lime
07 → Amber
08 → Gobo Rotation Speed
09 → Gobo 1 Speed
10 → Gobo 2 Speed

4 Channels

01 → Master Dimmer
02 → Gobo Rotation Speed
03 → Gobo 1 Speed
04 → Gobo 2 Speed

RGB Mode

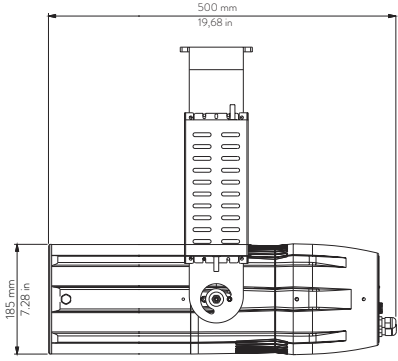
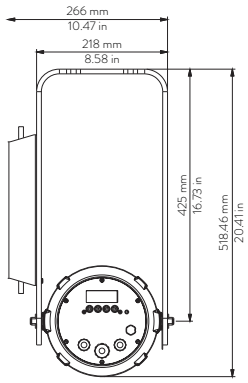
01 → Master Dimmer
02 → Dimmer Fine
03 → Red
04 → Green
05 → Blue
06 → White Tone
07 → Saturation
08 → Strobe Effect
09 → Special Functions

Studio Mode

01 → Master Dimmer
02 → White Tone
03 → Green Saturation
04 → Saturation
05 → Hue
06 → Dimmer Fine
07 → Special Functions

Drawing Size

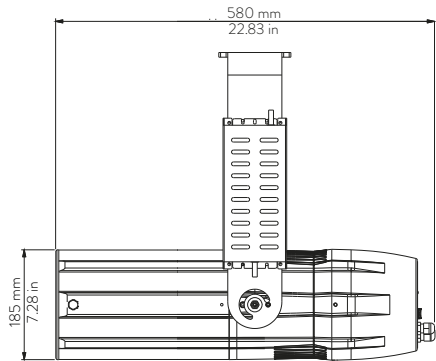
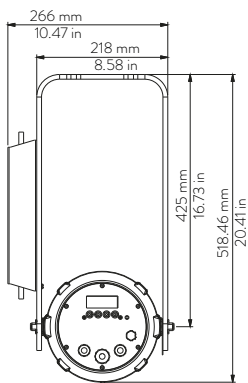
LEDko EXT 80° Optic



Length	Width	Height	Weight
500 mm	252.6 mm	185 mm	15.1 Kg
19.68 in	9.94 in	7.28 in	33.28 lbs

With
bracket:
518.46 mm
20.41 in

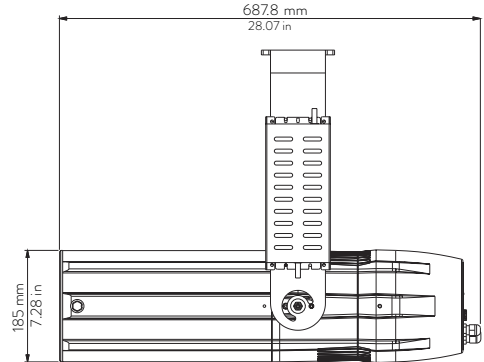
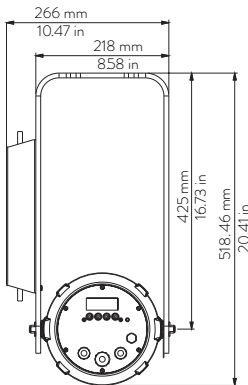
LEDko EXT 30°-60° Zoom



Length	Width	Height	Weight
580 mm	252.6 mm	185 mm	15.6 Kg
22.83 in	9.94 in	7.28 in	34.39 lbs

With
bracket:
518.46 mm
20.41 in

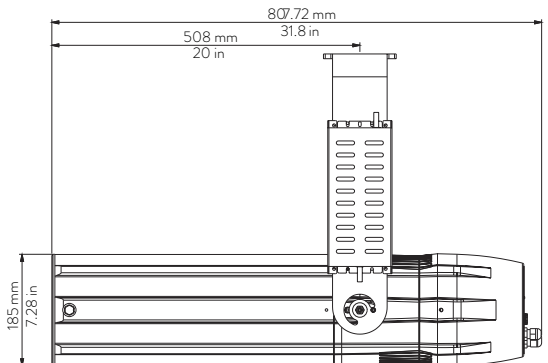
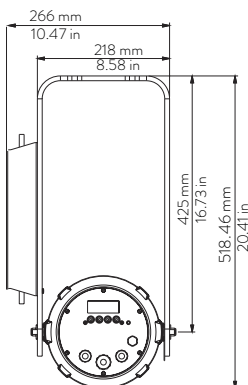
LEDko EXT 14°-35° Zoom



Length	Width	Height	Weight
687.8 mm	252.6 mm	185 mm	16.9 Kg
27.07 in	9.94 in	7.28 in	37.25 lbs

With
bracket:
518.46 mm
20.41 in

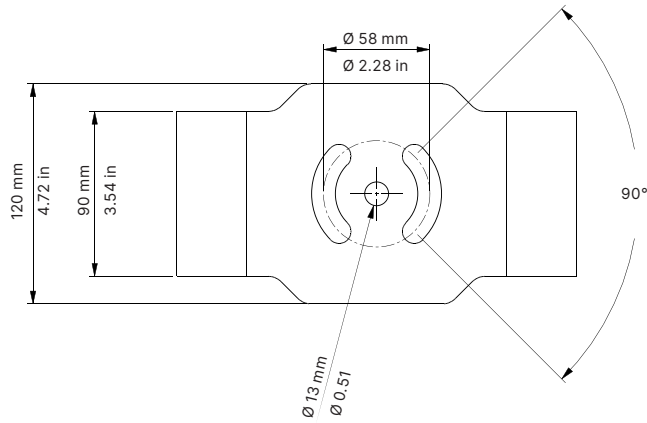
LEDko EXT 10°-25° Zoom



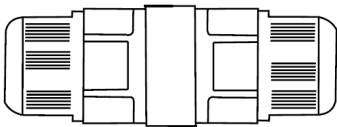
Length	Width	Height	Weight
807.7 mm	252.6 mm	185 mm	18 Kg
31.8 in	9.94 in	7.28 in	39.68 lbs

With
bracket:
518.46 mm
20.41 in

Mounting yoke attachment point



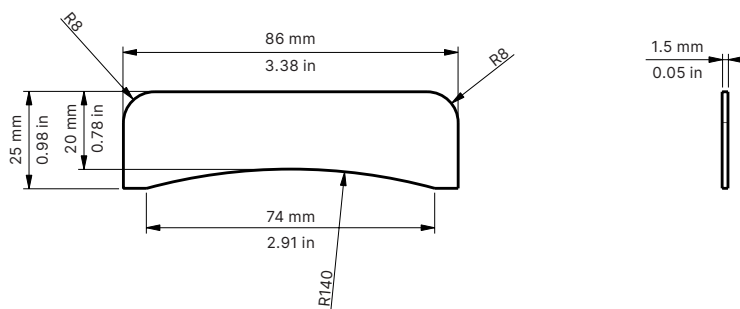
DMX Signal Junction Connector



Specification

DMX 512 STANDARD:
 Pin 1 = Ground Wire
 Pin 2 = Negative (Black)
 Pin 3 = Positive (White)

Metal key for gobo mounting (BC10028A001)





House of Worship - Sheikh Zayed Grand Mosque Abu Dhabi

Product	LEDko EXT FS Dual Gobo Rotator
CCT	RGBLA
CRI	>85
Lighting design	Speirs Major
Installation	Forza Electrical & Lighting



House of Worship - Sheikh Zayed Grand Mosque Abu Dhabi

Product	LEDko EXT FS Dual Gobo Rotator
CCT	RGBLA
CRI	>85
Lighting design	Speirs Major
Installation	Forza Electrical & Lighting



House of Worship - Sheikh Zayed Grand Mosque Abu Dhabi

Product	LEDko EXT FS Dual Gobo Rotator
CCT	RGBLA
CRI	>85
Lighting design	Speirs Major
Installation	Forza Electrical & Lighting

● Coemar Lighting S.r.l.

Via Carpenedolo, 90
46043, Castiglione delle Stiviere (MN) – Italy

P. +39 0376 1514412

M1. info@coemar.com

M2. service@coemar.com

W. coemar.com

P.iva – C.f. 02415330204

