



Risalto LED S VariWhite +

Product code:
F134G000S (Fresnel)
F134G000T (PC)

Last update:
10/12/2024



Risalto LED S VariWhite +

Introducing

● Designed with + electronic and a new OLED display, this Fresnel or PC projector is the evolution of the VaryWhite. The + electronic with advanced LED controller enables a smooth dimming and it offers and higher luminous efficiency, with a color rendering index of the white range greater than 95. Very quick setup of the functions thanks to the potentiometer knob.

Key Features

- 100 W Variable white LEDs module
- High CRI > 95
- CCT Continuously Variable 2.800 K - 6.500 K
- Fresnel or PC lenses (diameter 120 mm / 4.7 in)
- Zoom range from 16° to 77° (with Fresnel lens)
- Zoom range from 10° to 85° (with PC lens)
- Steel and die cast aluminium with High-quality epoxy powder coating protects against corrosion
- Custom color on request (optional)
- Manual (standard) or Pole Operated Pan-Tilt (optional)
- European Conformity certification

General	
● LED Source	Variable white LEDs module
● CCT Range	●●●●● Continuously Variable 2.800 K → 6.500 K
● Color Rendition Average	CRI > 95
● Light Efficiency	Fresnel lens 3.200 K Zoom min: 2826 lm, Zoom med: 4658 lm, Zoom max: 5219 lm 4.000 K Zoom min: 3432 lm, Zoom med: 5625 lm, Zoom max: 6322 lm 5.600 K Zoom min: 5421 lm, Zoom med: 5819 lm, Zoom max: 6518 lm 8 or 16 bit, 6 selectable curves: Exponential, Logarithmic, Linear, Halo, Standard and S Fast, Slow and Very Slow
● Dimming	Electronic strobe, synchronized, random, pulse effect
● Dimming Smooth Selection	Glass Fresnel or PC lenses (diameter 120 mm / 4.7 in)
● Strobe	Zoom range from 16° to 77° (with Fresnel lens)
● Lens	Zoom range from 10° to 85° (with PC lens)
● Optical	Flicker-free operation with LEDs frequency controlled via DMX from 600 to 20.000 Hz
● Camera flicker control/Hz range	Yes
● Calibrated Cob	50.000 Hours
● L80 Rating (hours to 80% output)	
Electrical	
● Voltage Input	90-264 V, 50/60 Hz, auto-sensing
● Power Consumption	100 W Maximum - 0.46 A at 230 V, 0.92 A at 115 V - cosφ 0.95
● Power Connection	In and Out PowerCON TRUE1 Top connectors, 1.5 m (4.9 ft) PowerCon cable without power plug
● Data Connection	In and Out DMX 5 pin locking XLR connectors
Thermal	
● Ambient Operating Temperature	0°C - +40°C (32°F - 104°F)
● Fan (controllable)	Yes, 4 different settings: Silent, Studio, Auto, DMX Regulated
Control	
● Protocols	DMX-512, RDM (Remote Device Management), Wireless (optional By LumenRadio)
● RDM configuration	Yes
● DMX Channels	5 / 2 / 1 / Sunrise / Raw / MK1 / 6 Channels
● Display	Graphic OLED with on-board selector for quick setting
● Software Upload	Through DMX with RDM Upgrade USB interface (code AC10011A001)
Physical	
● Yoke	Manual (standard) or Pole Operated Pan-Tilt (optional)
● Materials	Steel and die cast aluminium with High-quality epoxy powder coating protects against corrosion
● Weight	5.5 Kg / 12.13 lbs
● Length	308 mm / 12.13 in
● Height	185 mm / 7.28 in - With bracket: 288 mm / 11.34 in
● Width	251 mm / 9.88 in
● IP Rating	IP20
● Color options	Black (standard), custom color on request (optional)
General accessories	
BC10034A002	4-Leaf Barndoor (included)
GKIT17 (USA) / GKIT16 (EU)	1.5 m (4.9 ft) power cable with PowerCON TRUE1 Top and bare ends (included)
BC10034A005	Frame holder (included)



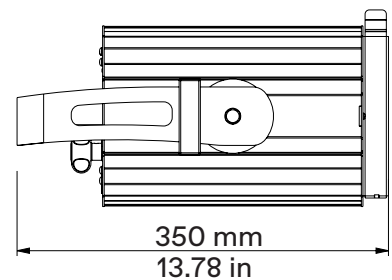
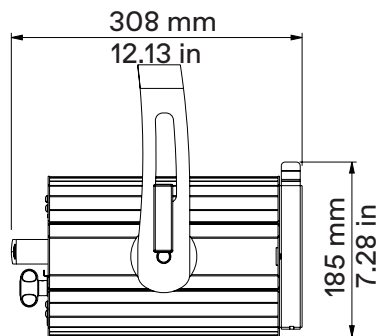
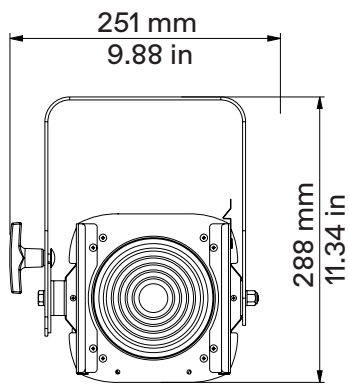
PC lens

Rialto Led + Rear Panel / PC lens

DMX Charts

5 Channels	2 Channel	1 Channel
01 → Master Dimmer	01 → Master Dimmer	01 → Master Dimmer
02 → Dimmer Fine	02 → White Tone	
03 → White Tone		
04 → Strobe		
05 → Special Function		

Drawing Size





Broadcast - TV Studio Milanello, Italy

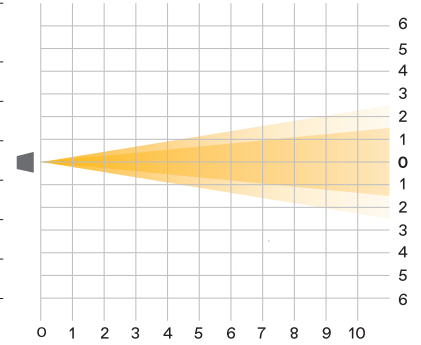
Product	Risalto S VW Fresnel
CCT	2.800K → 6.500K
CRI	> 95
Light Designer	Alessandro Mantero

Risalto S VariWhite +, Fresnel

Measurements taken with fan in AUTO mode

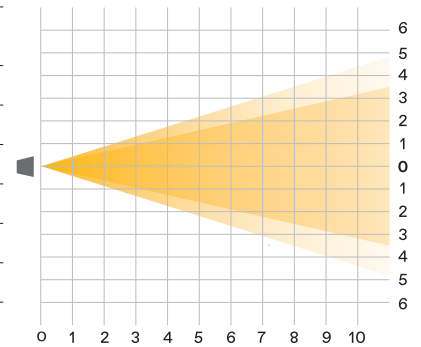
Minimum Zoom

Distance (m)	1	2	3	4	5	6	7	8	9	10	
Lux	3.200 K	28818	7205	3202	1801	1153	801	588	450	356	288
	4.000 K	35730	8933	3970	2233	1429	993	729	558	441	357
	5.600 K	36180	9045	4020	2261	1447	1005	738	565	447	362
1/2 P.A. Ø (m)	0.28	0.56	0.84	1.12	1.41	1.69	1.97	2.25	2.53	2.81	
1/10 P.A. Ø (m)	0.50	1.00	1.50	1.99	2.49	2.99	3.49	3.99	4.49	4.99	



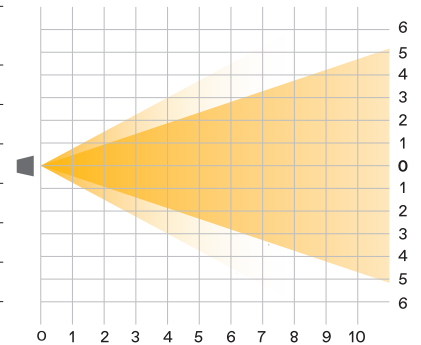
Medium Zoom

Distance (m)	1	2	3	4	5	6	7	8	9	10	
Lux	3.200 K	9495	2374	1055	593	380	264	194	148	117	95
	4.000 K	11772	2943	1308	736	471	327	240	184	145	118
	5.600 K	12105	3026	1345	757	484	336	247	189	149	121
1/2 P.A. Ø (m)	0.77	1.54	2.30	3.07	3.84	4.61	5.37	6.14	6.91	7.68	
1/10 P.A. Ø (m)	1.00	1.99	2.99	3.99	4.99	5.98	6.98	7.98	8.97	9.97	



Maximum Zoom

Distance (m)	1	2	3	4	5	6	7	8	9	10	
Lux	3.200 K	6525	1631	725	408	261	181	133	102	81	65
	4.000 K	7920	1980	880	495	317	220	162	124	98	79
	5.600 K	8163	2041	907	510	327	227	167	128	101	82
1/2 P.A. Ø (m)	1.06	2.13	3.19	4.25	5.32	6.38	7.44	8.51	9.57	10.63	
1/10 P.A. Ø (m)	1.59	3.18	4.77	6.36	7.98	9.55	11.14	12.73	14.32	15.91	



● Coemar Lighting S.r.l.

Via Carpenedolo, 90
46043, Castiglione delle Stiviere (MN) – Italy

P. +39 0376 1514412

M1. info@coemar.com

M2. service@coemar.com

W. coemar.com

P.iva – C.f. 02415330204

