



Risalto LED S Tungsten +

Product code:
F134C000S (Fresnel)
F134C000T (PC)

Last update:
11/12/2024



Risalto LED S Tungsten +

Introducing

● Designed with + electronic and a new OLED display, this Fresnel or PC projector is the evolution of the Risalto Tungsten. The + electronic with advanced LED controller enables a smooth dimming and it offers and higher luminous efficiency. Very quick setup of the functions thanks to the potentiometer knob

Key Features



● 100 W Tungsten COB LED



● CRI > 90



● CCT Fixed White 3.200 K



● Fresnel or PC lenses (diameter 120 mm / 4.7 in)

● Zoom range from 16° to 77° (with Fresnel lens)

● Zoom range from 10° to 85° (with PC lens)



● Steel and die cast aluminium with High-quality epoxy powder coating protects against corrosion



● Custom color on request (optional)



● Manual (standard) or Pole Operated Pan-Tilt (optional)



● European Conformity certification

General	
● LED Source	100 W Tungsten COB LED
● CCT Range	●●●●●● Fixed White 3.200 K
● Color Rendition Average	CRI> 90
● Light Efficiency	Fresnel lens Zoom min: 4958 lm, Zoom med: 8188 lm, Zoom max: 9258 lm
	PC lens Zoom min: 3206 lm, Zoom med: 8200 lm, Zoom max: 8900 lm
● Dimming	8 or 16 bit, 6 selectable curves: Exponential, Logarithmic, Linear, Halo, Standard and S
● Dimming Smooth Selection	Fast, Slow and Very Slow
● Strobe	Electronic strobe, synchronized, random, pulse effect
● Lens	Glass Fresnel or PC lenses (diameter 120 mm / 4.7 in)
● Optical	Zoom range from 16° to 77° (with Fresnel lens) Zoom range from 10° to 85° (with PC lens)
● Camera flicker control/Hz range	Flicker-free operation with LEDs frequency controlled via DMX from 600 to 20.000 Hz
● Calibrated Cob	Yes
● L80 Rating (hours to 80% output)	50.000 Hours
Electrical	
● Voltage Input	90-264 V, 50/60 Hz, auto-sensing
● Power Consumption	100 W Maximum - 0.46 A at 230 V, 0.92 A at 115 V - cosφ 0.95
● Power Connection	In and Out PowerCON TRUE1 Top connectors, 1.5 m (4.9 ft) PowerCon cable without power plug
● Data Connection	In and Out DMX 5 pin locking XLR connectors
Thermal	
● Ambient Operating Temperature	0°C - +40°C (32°F - 104°F)
● Fan (controllable)	Yes, 4 different settings: Silent, Studio, Auto, DMX Regulated
Control	
● Protocols	DMX-512, RDM (Remote Device Management), Wireless (optional By LumenRadio)
● RDM configuration	Yes
● DMX Channels	5 / 1
● Display	Graphic OLED with on-board selector for quick setting
● Software Upload	Through DMX with RDM Upgrade USB interface (code AC10011A001)
Physical	
● Yoke	Manual (standard) or Pole Operated Pan-Tilt (optional)
● Materials	Steel and die cast aluminum with High-quality epoxy powder coating protects against corrosion
● Weight	5.5 Kg / 12.13 lbs
● Length	308 mm / 12.13 in
● Height	185 mm / 7.28 in - With bracket: 288 mm / 11.34 in
● Width	251 mm / 9.88 in
● IP Rating	IP20
● Color options	Black (standard), custom color on request (optional)
General accessories	
BC10034A002	4-Leaf Barndoor (included)
GKIT17 (USA) / GKIT16 (EU)	1.5 m (4.9 ft) power cable with PowerCON TRUE1 Top and bare ends (included)
BC10034A005	Frame holder (included)



PC lens

Risalto Led + Rear Panel / PC lens

DMX Charts

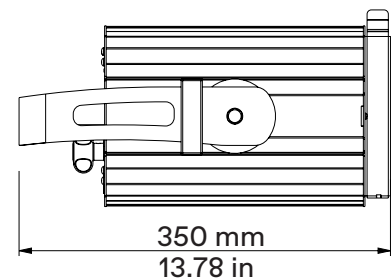
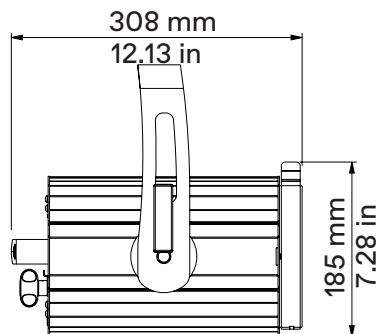
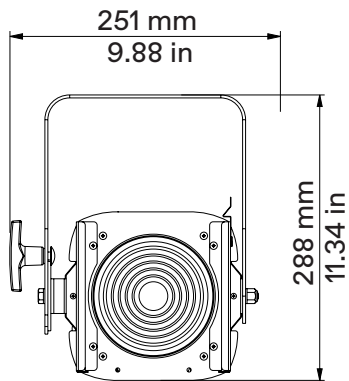
5 Channels

- 01 → Master Dimmer
- 02 → Spare Channel
- 03 → Dimmer Fine
- 04 → Strobe
- 05 → Special Function

1 Channel

- 01 → Master Dimmer

Drawing Size





Auditorium - Bronkhorst® Flow Technology, Netherlands

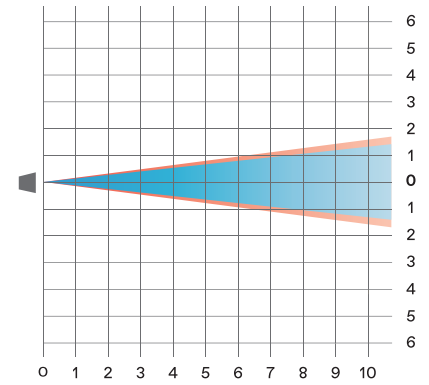
Product	Risalto S T Fresnel
CCT	3.200 K
CRI	>90
Dealer	Fairlight

Risalto LED S Tungsten +, Fresnel lens

Measurements taken with fan in AUTO mode

Minimum Zoom

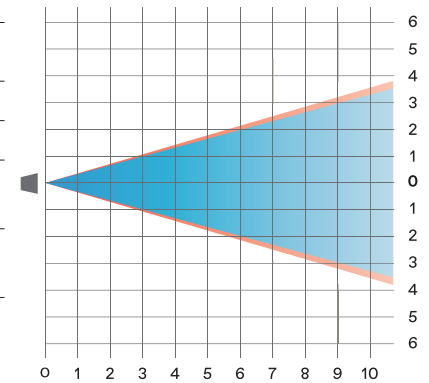
Distance(m)	1	2	3	4	5	6	7	8	9	10
lux	45288	11322	5032	2831	1812	1258	924	708	559	453
C0/C180 1/2 P.A 18.6° Ø (m)	0.33	0.66	0.98	1.31	1.64	1.97	2.29	2.62	2.95	3.28
C90/C270 1/2 P.A 17.4° Ø (m)	0.31	0.61	0.92	1.22	1.53	1.84	2.14	2.45	2.75	3.06



C0/C180 1/2 peak angle: 18.6°
C90/C270 1/2 peak angle: 17.4°

Medium Zoom

Distance(m)	1	2	3	4	5	6	7	8	9	10
lux	19098	4775	2122	1194	764	531	390	298	236	191
C0/C180 1/2 P.A 41.2° Ø (m)	0.75	1.50	2.26	3.01	3.76	4.51	5.26	6.01	6.77	7.52
C90/C270 1/2 P.A 39.8° Ø (m)	0.72	1.45	2.17	2.90	3.62	4.34	5.07	5.79	6.52	7.24



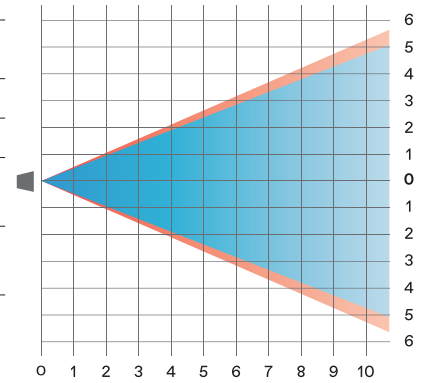
C0/C180 1/2 peak angle: 41.2°
C90/C270 1/2 peak angle: 39.8°

Risalto LED S Tungsten +, Fresnel lens

Measurements taken with fan in AUTO mode

Maximum Zoom

Distance(m)	1	2	3	4	5	6	7	8	9	10
lux	11304	2826	1256	707	452	314	231	177	140	113
C0/C180 1/2 P.A 58.4° Ø (m)	1.12	2.24	3.35	4.47	5.59	6.71	7.82	8.94	10.06	11.18
C90/C270 1/2 P.A 54.8° Ø (m)	1.04	2.07	3.11	4.15	5.18	6.22	7.26	8.29	9.33	10.37



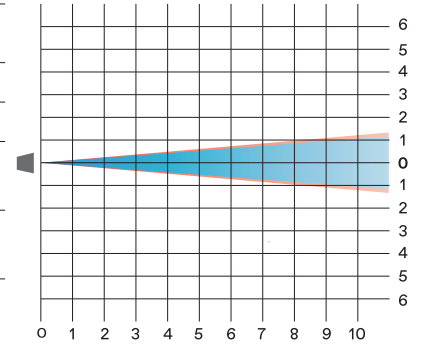
C0/C180 1/2 peak angle: 58.4°
C90/C270 1/2 peak angle: 54.8°

Risalto LED S Tungsten +, PC lens

Measurements taken with fan in AUTO mode

Minimum Zoom

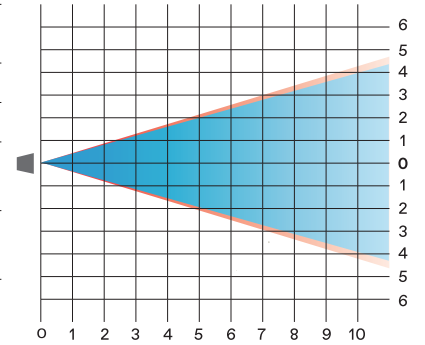
Distance(m)	1	2	3	4	5	6	7	8	9	10
lux	52596	13149	5844	3287	2104	1461	11073	822	649	526
C0/C180 1/2 P.A 15.2° Ø (m)	0.27	0.53	0.80	1.07	1.33	1.60	1.87	2.13	2.40	2.67
C90/C270 1/2 P.A 13.6° Ø (m)	0.24	0.48	0.72	0.95	1.19	1.43	1.67	1.91	2.15	2.38



C0/C180 1/2 peak angle: 15.2°
C90/C270 1/2 peak angle: 13.6°

Medium Zoom

Distance(m)	1	2	3	4	5	6	7	8	9	10
lux	13374	3344	1486	836	535	372	273	209	165	134
C0/C180 1/2 P.A 53° Ø (m)	1.00	1.99	2.99	3.99	4.99	5.98	6.98	7.98	8.97	9.97
C90/C270 1/2 P.A 52° Ø (m)	0.98	1.95	2.93	3.90	4.88	5.85	6.83	7.80	8.78	9.75



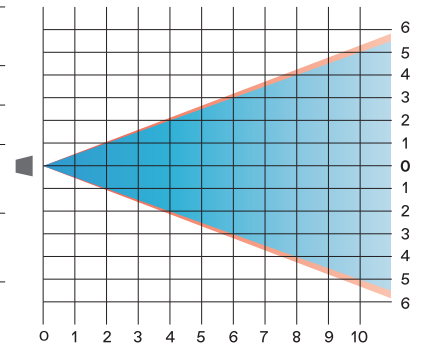
C0/C180 1/2 peak angle: 41.2°
C90/C270 1/2 peak angle: 39.8°

Risalto LED S Tungsten +, PC lens

Measurements taken with fan in AUTO mode

Maximum Zoom

Distance(m)	1	2	3	4	5	6	7	8	9	10
lux	9963	2491	1107	623	399	277	203	156	123	100
C0/C180 1/2 P.A 61° Ø (m)	1.18	2.36	3.53	4.71	5.89	7.07	8.25	9.42	10.60	11.78
C90/C270 1/2 P.A 58° Ø (m)	1.11	2.22	3.33	4.43	5.54	6.65	7.76	8.87	9.98	11.09



C0/C180 1/2 peak angle: 61°
C90/C270 1/2 peak angle: 58°

● Coemar Lighting S.r.l.

Via Carpenedolo, 90
46043, Castiglione delle Stiviere (MN) – Italy

P. +39 0376 1514412

M1. info@coemar.com

M2. service@coemar.com

W. coemar.com

P.iva – C.f. 02415330204

