



# PinLite LED T

Product code:  
F1101100B

Last update:  
31/05/2024



PinLite LED T

Introducing

● The smaller version of the ParLite Led.  
 Electronic dimmer, electronic strobe, flicker-free operation.  
 Double yoke for easy ground standing or truss hanging. Variable beam angles due to quickly interchangeable optics (12°, 30°, 13° x 40°, 50°, 110°). Convection cooling system, no fans, ideal for broadcast and theatre installation. Weatherproof rating IP20 or IP65.



Without support accessories holder

Key Features

- 12 LEDs Cree Tungsten
- CRI > 80 or CRI > 90
- CCT Fixed White 3.200 K
- IP20 or 65
- Standard lens 12°
- Variable beam angles due to quickly interchangeable optics (12°, 30°, 13° x 40°, 50°, 110°)
- No fan, no maintenance, no noise
- Thick aluminium enclosure to guaranteed body resistance in the long term
- Custom color on request (optional)
- Double yoke for easy ground standing or easy truss hanging
- European Conformity certification

General	
● LED Source	12 LEDs Tungsten
● CCT Range	●●●●● 3.200 K
● Color Rendition Average	CRI> 80 or CRI> 90
● Dimming	Electronic dimmer
● Strobe	Electronic strobe, synchronized, random, pulse effect
● Available Optics	Standard lens 12°
● Electronics Type	Flicker-free operation
● L80 Rating (hours to 80% output)	50.000 Hours
Electrical	
● Voltage Input	90-250 V , 50/60 Hz, auto-sensing
● Power Consumption	25 W Maximum - 0.18 A at 230 V, 0.36 A at 115 V - cosφ 0.6
● Power Connection	2 m (6.6 ft) integral cable without power plug
● Data Connection	In and Out DMX 5 pin locking XLR connectors
Thermal	
● Ambient Operating Temperature	-40°C - +40°C (-40°F - 104°F)
● Cooling	Conventional cooling, no fans, ideal for broadcast and theatre installation
Control	
● Protocols	DMX-512, RDM (Remote Device Management), Wireless ( optional By LumenRadio)
● RDM configuration	Yes
● DMX Channels	5
● Setting and addressing	Binary dip switch or remotely
Physical	
● Yoke	Double yoke for easy ground standing or easy truss hanging
● Materials	Thick aluminium enclosure to guaranteed body resistance in the long term
● Weight	1.8 Kg / 4 lbs
● Length	168.9 mm / 6.65 in
● Height	128.5 mm / 5.06 in - With bracket : 205 mm / 8.07 in
● Width	140.9 mm / 5.55 in
● IP Rating	IP20 or 65
● Color options	Black (standard), custom color on request (optional)
General accessories	
BC10010A001	Support accessories holder black
BC10010A002	Support accessories holder silver
BC10010A003	Support accessories holder white
PCO9186	30° lens kit
PCO9186/3	50° lens kit
PCO9186/2	40° x 13° lens kit
PCO9187	110° flood reflector
PCO9188	Frame for internal frost filter
PCO9188/1	Frame for external frost filter
GPAN10	IP65 rear panel black
GPAN10/1	IP65 rear panel silver

**5 Channels**

01 → Master Dimmer

02 → Spare Channel

03 → Dimmer Fine

04 → Strobe Effect

05 → Special Functions

Dip-switch Charts

---

**dip-switch**

01 → DMX channel 1

02 → DMX channel 2

04 → DMX channel 4

08 → DMX channel 8

16 → DMX channel 16

32 → DMX channel 32

64 → DMX channel 64

128 → DMX channel 128

256 → DMX channel 256

Auto → Off

Test → Off

Light on → Off

n.f. → Off

n.f. → Off

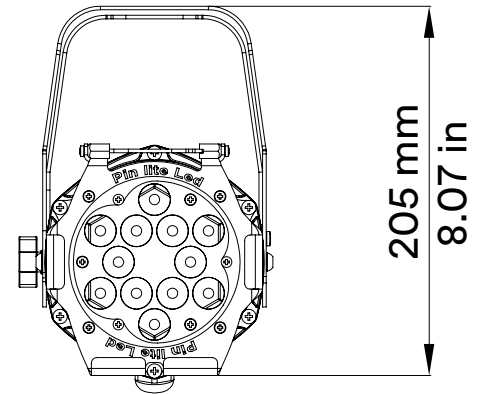
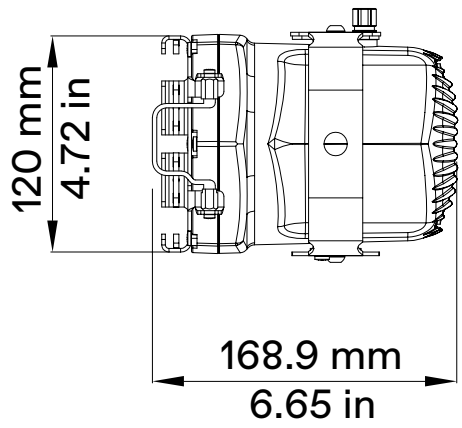
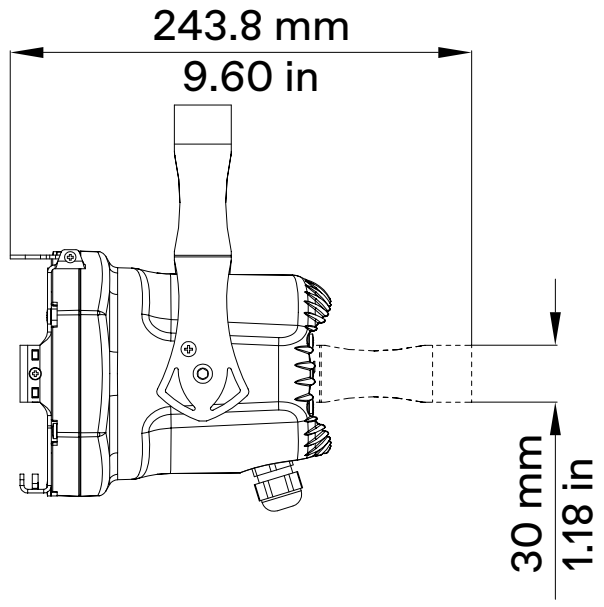
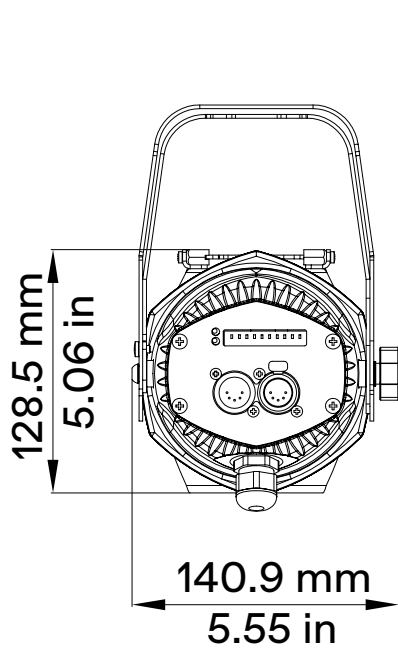
dr1 → Off

3ch → Off

Led → Function

Green → Power

Yellow → DMX state





Architectural Outdoor - War memorial, Benevento, Italy

Product	PinLite LED T
CCT	3.200K

● Coemar Lighting S.r.l.

Via Carpenedolo, 90  
46043, Castiglione delle Stiviere (MN) – Italy

P. +39 0376 1514412

M1. info@coemar.com

M2. service@coemar.com

W. coemar.com

P.iva – C.f. 02415330204

