

PinLite LED RGB

Product code:
F1101100B

Last update:
31/05/2024



PinLite LED RGB


Introducing


● The smaller version of the ParLite Led.
 Electronic dimmer, electronic strobe, flicker-free operation. Double yoke for easy ground standing or truss hanging. Variable beam angles due to quickly interchangeable optics (12°, 30°, 13° x 40°, 50°, 110°). Convection cooling system, no fans, ideal for broadcast and theatre installation. Weatherproof rating IP20 or IP65.





Without support accessories holder


Key Features


- 
 ● 12 LEDs Cree (4 Red, 4 Green, 4 Blue)
 ● RGB color mixing


- 
 ● CRI > 80


- 
 ● IP20 or 65


- 
 ● Standard lens 12°
 ● Variable beam angles due to quickly interchangeable optics (12°, 30°, 13° x 40°, 50°, 110°)

- 
 ● No fan, no maintenance, no noise

- 
 ● Thick aluminium enclosure to guaranteed body resistance in the long term

- 
 ● Custom color on request (optional)

- 
 ● Double yoke for easy ground standing or easy truss hanging

- 
 ● European Conformity certification

General	
● LED Source	12 LEDs Cree (4 Red, 4 Green, 4 Blue)
● Color Rendition Average	CRI> 80
● Dimming	Electronic dimmer
● Strobe	Electronic strobe, synchronized, random, pulse effect
● Available Optics	Standard lens 12°
● Camera flicker control/Hz range	Guaranteed flicker-free operation with LEDs frequency controlled via DMX from 600 to 20.000 Hz
● L80 Rating (hours to 80% output)	50.000 Hours
Electrical	
● Voltage Input	90-250 V , 50/60 Hz, auto-sensing
● Power Consumption	25 W Maximum - 0.18 A at 230 V, 0.36 A at 115 V - cosφ 0.6
● Power Connection	2 m (6.6 ft) integral cable without power plug
● Data Connection	In and Out DMX 5 pin locking XLR connectors
Thermal	
● Ambient Operating Temperature	-40°C - +40°C (-40°F - 104°F)
● Cooling	Conventional cooling, no fans, ideal for broadcast and theatre installation
Control	
● Protocols	DMX-512, RDM (Remote Device Management), Wireless (optional By LumenRadio)
● RDM configuration	Yes
● DMX Channels	5
● Setting and addressing	Binary dip switch or remotely
Physical	
● Yoke	Double yoke for easy ground standing or easy truss hanging
● Materials	Thick aluminium enclosure to guaranteed body resistance in the long term
● Weight	1.8 Kg / 4 lbs
● Length	168.9 mm / 6.65 in
● Height	128.5 mm / 5.06 in - With bracket : 205 mm / 8.07 in
● Width	140.9 mm / 5.55 in
● IP Rating	IP20 or 65
● Color options	Black (standard), custom color on request (optional)
General accessories	
BC10010A001	Support accessories holder black
BC10010A002	Support accessories holder silver
PCO9186	30° lens kit
PCO9186/3	50° lens kit
PCO9186/2	40° x 13° lens kit
PCO9187	110° flood reflector
PCO9188	Frame for internal frost filter
PCO9188/1	Frame for external frost filter
GPAN10	IP65 rear panel black
GPAN10/1	IP65 rear panel silver

5 Channels

01 → Red

01(A) → Speed

Note 1: the second function 1
(A) is enabled when channel 5 is
active

02 → Green

02(A) → Speed

Note 2: the second function 2
(A) is enabled when channel 5 is
active

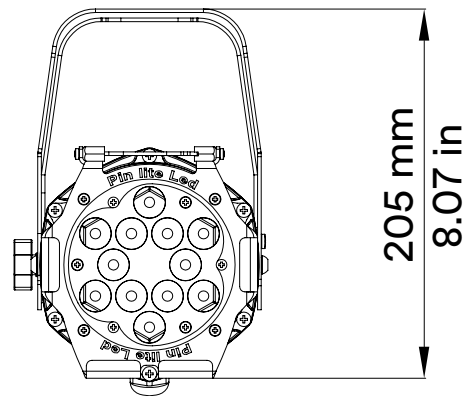
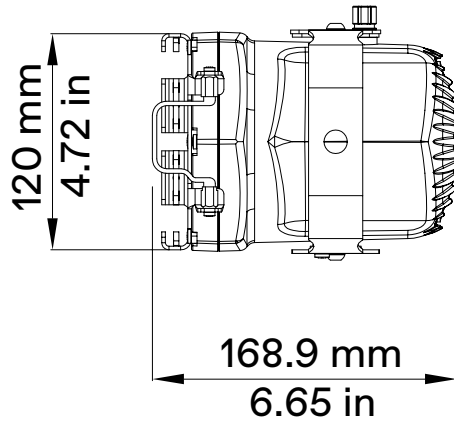
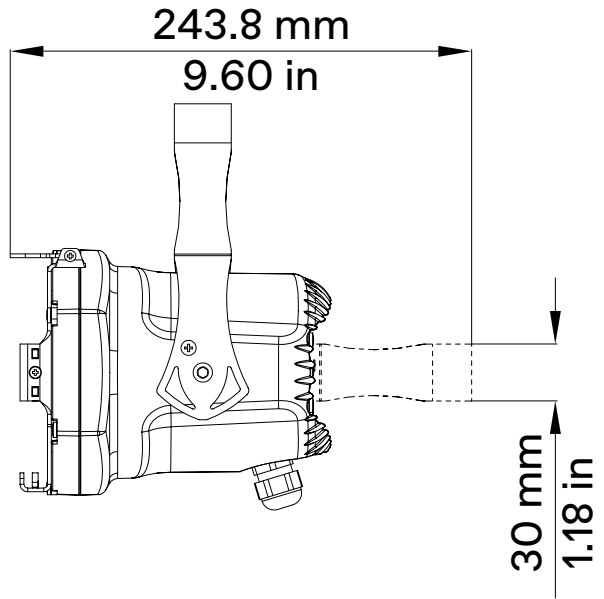
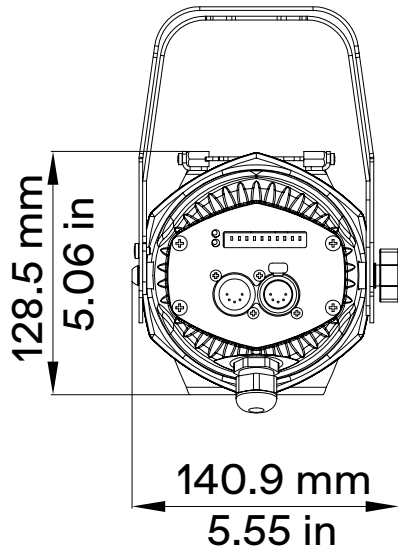
03 → Blue

04 → Strobe effect

05 → Automated function

Dip-switch Charts

dip-switch	DMX function	DR1 function
1	DMX channel 1	Id value 1
2	DMX channel 2	Id value 2
4	DMX channel 4	Id value 4
8	DMX channel 8	Id value 8
16	DMX channel 16	Id value 16
32	DMX channel 32	Id value 32
64	DMX channel 64	Id value 64
128	DMX channel 128	Id value 128
256	DMX channel 256	Id value 256
Auto	Off	Off
Test	Off	Off
Light on	Off	Off
n.f.	Off	Off
n.f.	Off	Off
dr1	Off	Off
3ch	On	On
Note 1: the dip-switch AUTO-TEST-LIGHT ON-DR1 must be set correctly to avoid function conflicts		
Led	Function	
Green	Power	
Yellow	DMX state	





Club - Byblos Club, Italy

Product
CCT

PinLite LED RGB
RGB



Museum - exhibition Sebastiano del Piombo, Italy

Product
CCT

PinLite LED RGB
RGB

● Coemar Lighting S.r.l.

Via Carpenedolo, 90
46043, Castiglione delle Stiviere (MN) – Italy

P. +39 0376 1514412

M1. info@coemar.com

M2. service@coemar.com

W. coemar.com

P.iva – C.f. 02415330204



Coemar reserves the right to change specifications without prior notice.

Last Update: 31 May 2024- vrs. 4.7