

ParLite LED T

Product code:
F007E000B

Last update:
12/06/2024



ParLite LED T with frontal support accessories holder

Introducing

● ParLite led available both in indoor IP20 and in IP65 outdoor version, fanless (for silent operation) is suitable for entertainment lighting (theaters, television studios, events) and suitable for architectural illumination (shopping center, conference room, buildings, monuments, etc.)

Long-lasting aluminum compact body, high quality LEDs and lenses, exclusive Coemar Patent Pending control system: AAPC (Active Automatic Power Control) guarantee long life and high lighting performance with low power consumption.

The numerous optics available, the wide range of color temperatures or colors, colors rendering (CRI) 80+ or 90+, different fixing options and the numerous accessories available, make this projector suitable for any customer need. ParLite Led is available in two different mounting options to fit any installation:

- ParLite LED Portable: double yoke for easy ground standing or truss hanging; 1.8m power cable with Bare Ends and DMX in/thru chassis-mount XLR5 connectors.

- ParLite LED Track Mount: eutrac 3-circuit + data and a single cable between fixture and track adapter for power and DMX.

Key Features



- 36 Tungsten Cree LEDs



- CRI > 80 or CRI > 90



- CCT Fixed White 3.200 K



- IP20 or 65



- Fanless (for silent operation)



- Variable beam angles due to quickly interchangeable Lens Kit (12°, 30°, 13° x 40°, 50°, 110°)



- Thick aluminum



- Custom color on request (optional)



- Manual (standard) or Pole Operated Pan-Tilt (Optional)
- Double yoke for easy ground standing or truss hanging
- Portable or Track mount version

General

● LED Source	36 Tungsten Cree LEDs
● CCT Range	●●●●● Fixed White 3.200 K
● Color Rendering Index	CRI> 80 or CRI> 90
● Light Efficiency	12 DEG: 3224lm 30 DEG: 3105lm 50 DEG: 3102lm
● Dimming	Smooth 100% to 0%, 5 Selectable Curves - Exponential, Logarithmic, Linear, Halo and Standard
● Strobe	Synchronized, random or pulse electronic strobe
● Lens	12°, 30°, 13° x 40° elliptical, 50°, 110°
● Camera flicker control/Hz range	Flicker-free operation with LEDs frequency controlled via DMX from 600 to 20.000 Hz
● Calibrated Cob	Yes
● L80 Rating (hours to 80% output)	50.000 Hours

Electrical

● Voltage Input	100-250 V, 50/60 Hz, auto-sensing
● Power Consumption	45 W maximum - 0.22 A at 230V, 0.44 A at 115V - cosφ 0.9
● Power Connection	2 m (6.6 ft) integral cable without power plug
● Data Connection	In and Out DMX 5 pin locking XLR connectors

Thermal

● Ambient Operating Temperature	-40°C - +40°C (-40°F - 104°F)
● Cooling	Convection cooled, no fans, ideal for broadcast and theatre installation

Control








● Protocols	DMX-512, RDM (Remote Device Management), Wireless (optional By LumenRadio)
● RDM configuration	Yes
● DMX Channels	5 / 1
● Display	Setting, addressing, testing and measurements via LEDs display
● Firmware upgrade	Through DMX with RDM Upgrade USB interface (code AC10011A001)

Physical

● Mounting Options	Track mount, Double yoke for easy ground standing or truss hanging, PO Yoke (optional)
● Materials	Thick aluminum
● Weight	3.5 Kg / 7.72 lbs
● Length	211.4 mm / 8.32 in
● Height	267 mm / 10.51 in
● Width	182.8 mm / 7.20 in
● IP Rating	IP20 or 65
● Color options	Black or Silver (standard), custom color on request (optional)

General accessories

PCO9167/1	12° Lens Kit
PCO9167	30° Lens Kit
PCO9167/2	13°x40° Lens Kit
PCO9167/3	50° Lens Kit
PCO9168	110° Flood Reflector
BC10007A001	Support accessories holder black
BC10007A002	Support accessories holder silver
PCO9169	Frame For Internal Frost Filter
PCO9169/1	Frame For External Frost Filter (only IP20 version)
PCO9164/1	4 Leaf Barndoor (only IP20 version)
BC10007A007	Egg Crate Louvers (only IP20 version)
BC10007A009	PO Yoke (only IP20 version)
BC10007A012	Top hat (only IP20 version)
BC10007A011	Half top hat (only IP20 version)

<p>PCO9167/1 PCO9167 PCO9167/2 PCO9167/3</p>	<p>12° Lens Kit 30° Lens Kit 13°x40° Lens Kit 50° Lens Kit</p>	
<p>PCO9168</p>	<p>110° Flood Reflector</p>	
<p>BC10007A001 BC10007A002</p>	<p>Support accessories holder black Support accessories holder silver</p>	
<p>PCO9169</p>	<p>Frame For Internal Frost Filter</p>	
<p>PCO9169/1</p>	<p>Frame For External Frost Filter (only IP20 version)</p>	
<p>PCO9164/1</p>	<p>4 Leaf Barndoor (only IP20 version)</p>	
<p>BC10007A007</p>	<p>Egg Crate Louvers (only IP20 version)</p>	

BC10007A009	PO Yoke (only IP20 version)	
BC10007A012	Top hat (only IP20 version)	
BC10007A011	Half top hat (only IP20 version)	

DMX Charts

5 Channels

01 → Master Dimmer

02 → Spare Channel

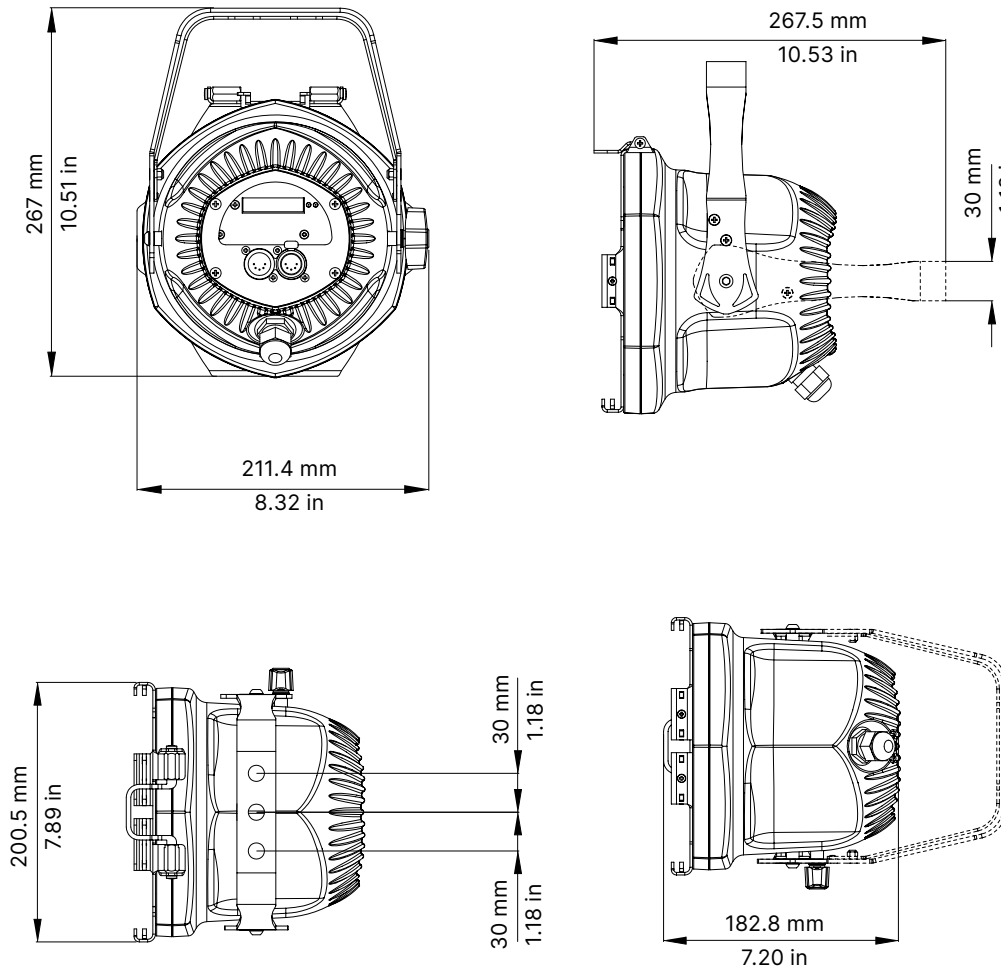
03 → Dimmer Fine

04 → Strobe Effect

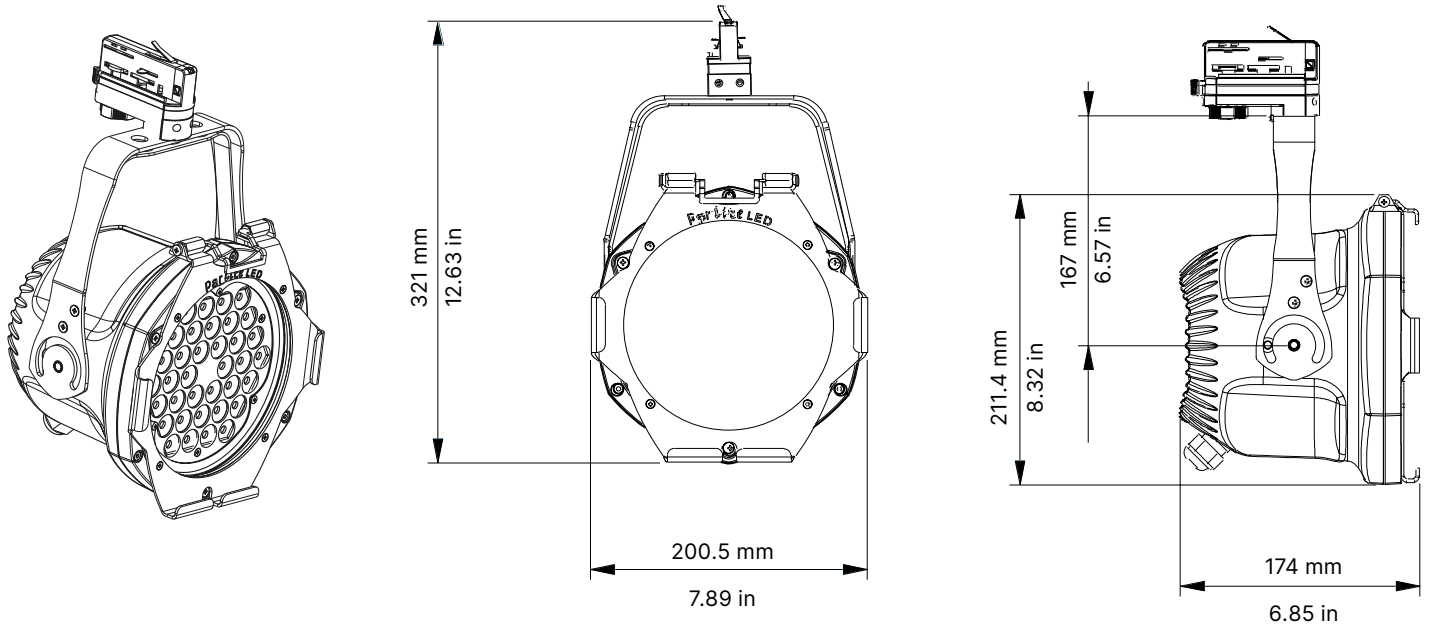
05 → Special Functions

1 Channel

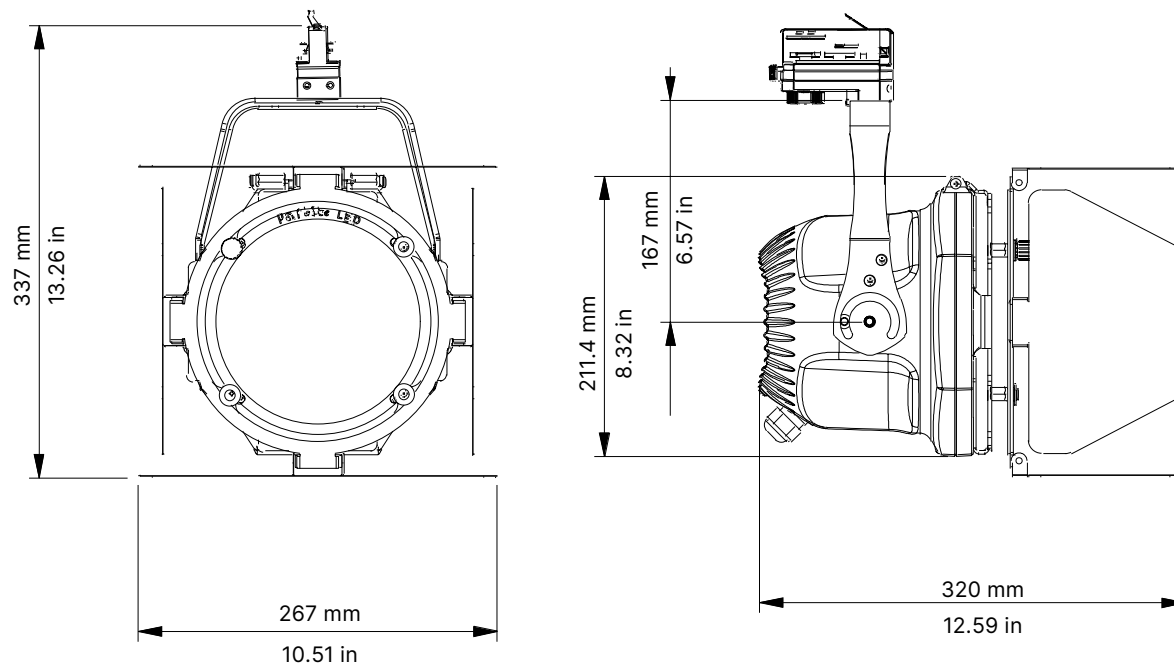
01 → Master Dimmer



ParLite LED Track Mount



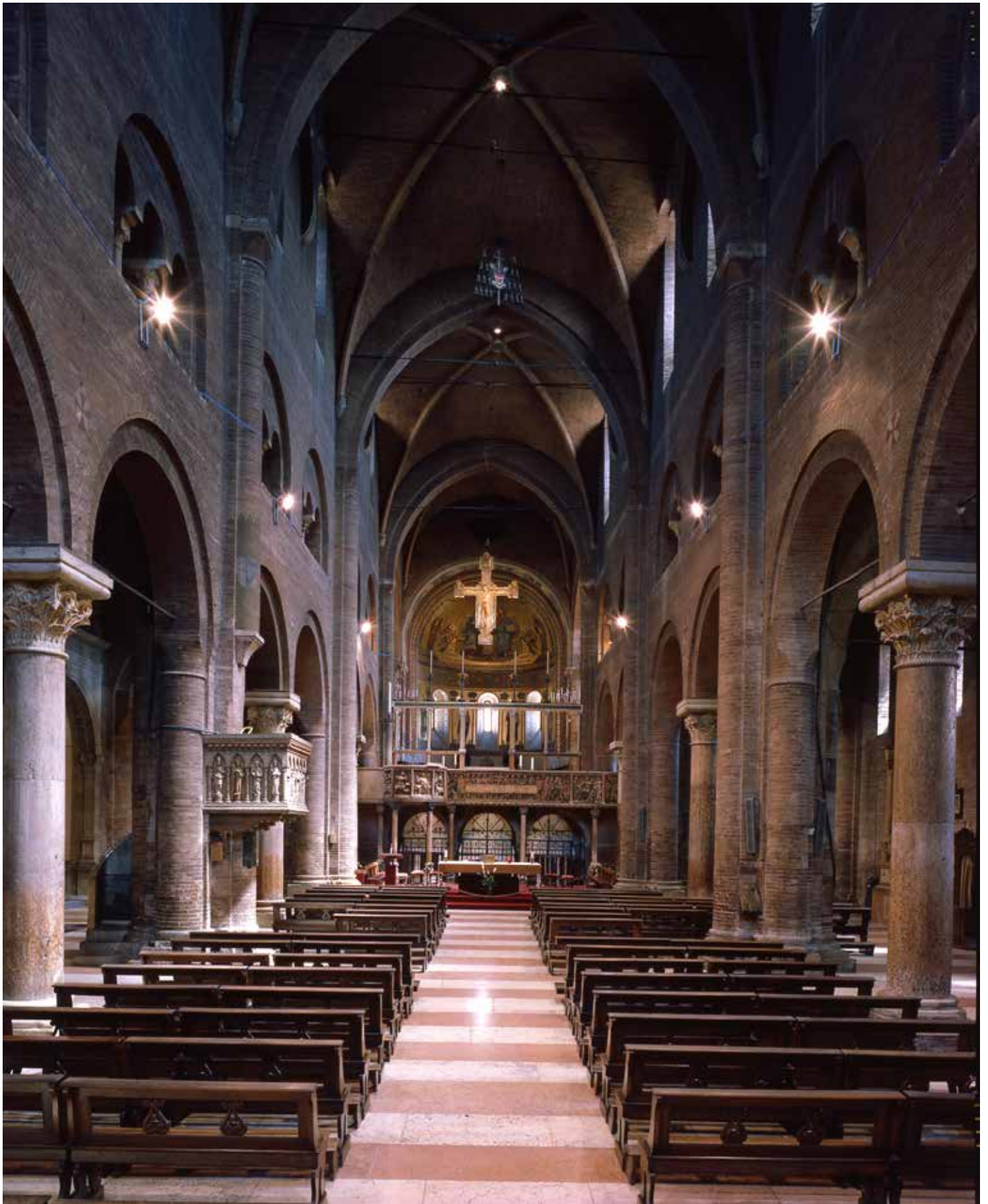
ParLite LED Track Mount with 4-LEAF barndoor





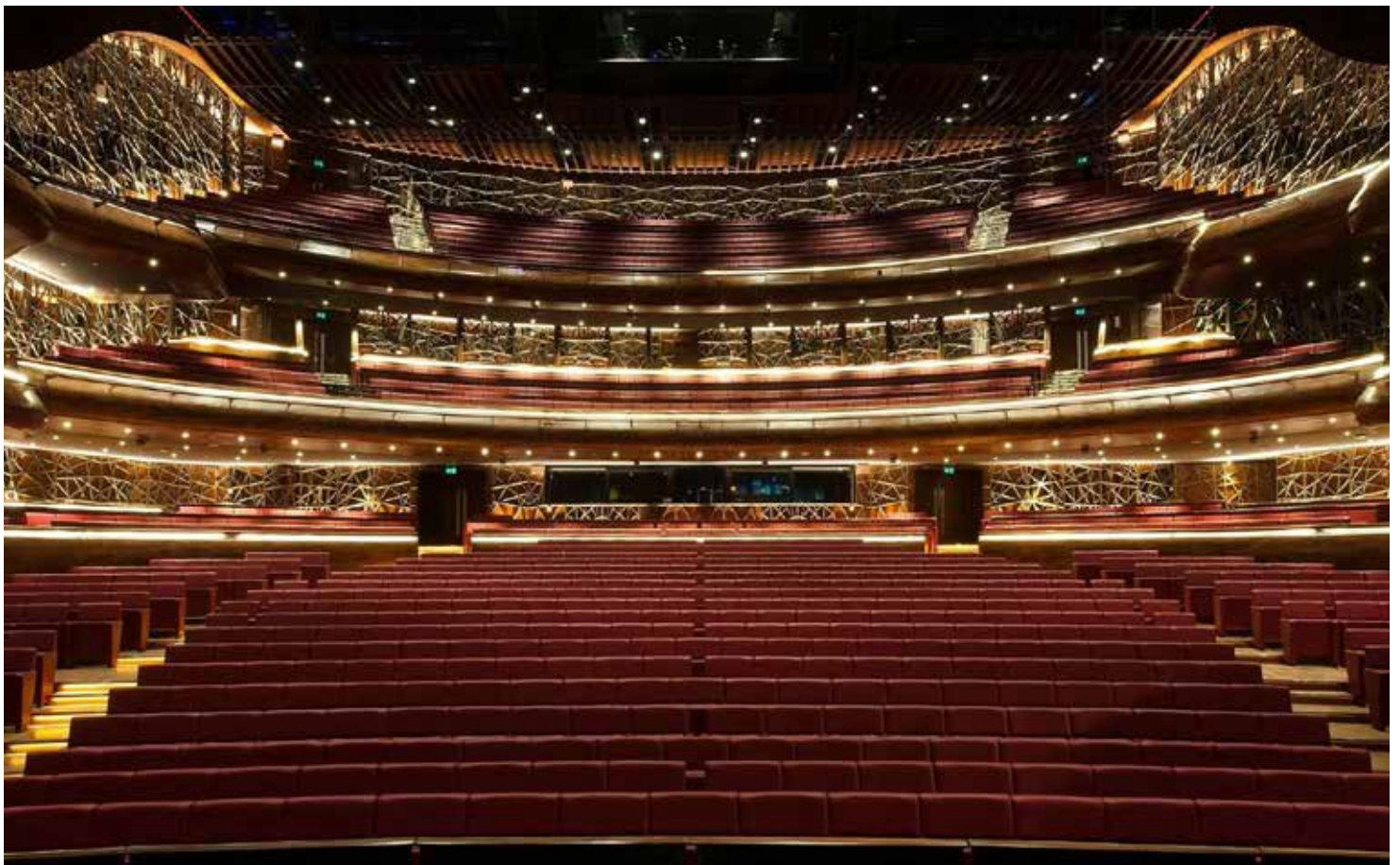
Retail - Bikini Shopping Centre, Berlin

Product	ParLite LED T
CCT	3.200 K
CRI	>90



House of Worship - Duomo of Modena, Italy

Product	ParLite LED T
CCT	3.200 K
CRI	>90



Theatre - Opera House, Dubai, UAE

Product	ParLite LED T
CCT	3.200 K
CRI	>90



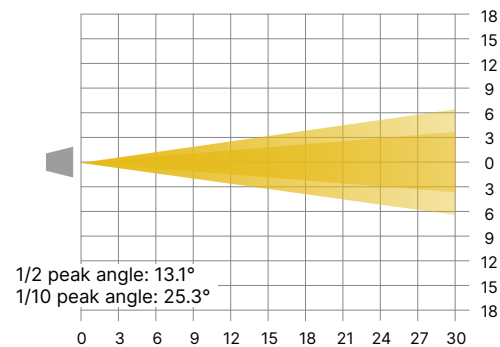
Museum - Museum of the Future, Dubai, UAE

Product	ParLite LED T
CCT	3.200 K
Light Design	Light Link

ParLite LED Tungsten - CRI 83, TLCI 71

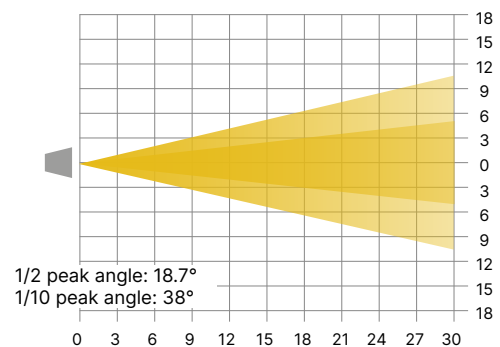
Optic: 12°

Distance (m)	3	6	9	12	15	18	21	24	27	30	
lux	3.200 K	6480	1620	720	405	259	180	132	101	80	65
1/2 P.A. Ø (m)	0.69	1.38	2.07	2.76	3.44	4.13	4.82	5.51	6.20	6.89	
1/10 P.A. Ø (m)	1.35	2.69	4.04	5.39	6.73	8.08	9.43	10.77	12.12	13.47	



Optic: 30°

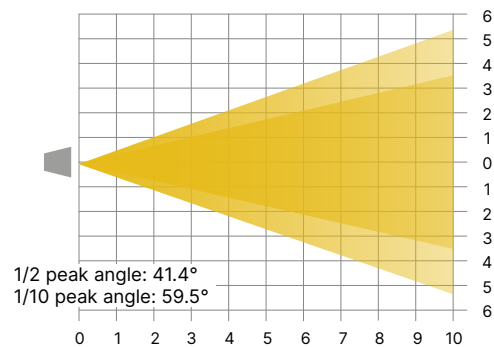
Distance (m)	3	6	9	12	15	18	21	24	27	30	
lux	3.200 K	3004	751	334	188	120	83	61	47	37	30
1/2 P.A. Ø (m)	0.99	1.98	2.96	3.95	4.94	5.93	6.92	7.90	8.89	9.88	
1/10 P.A. Ø (m)	2.07	4.13	6.20	8.26	10.33	12.40	14.46	16.53	18.59	20.66	



ParLite LED Tungsten - CRI 83, TLCI 71

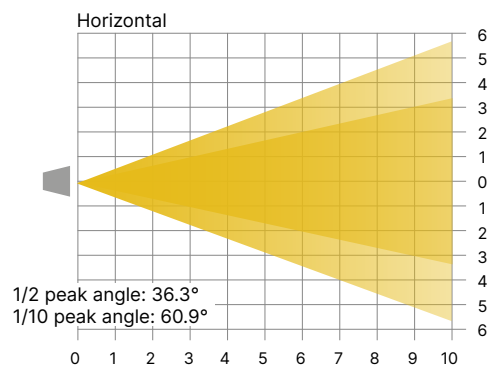
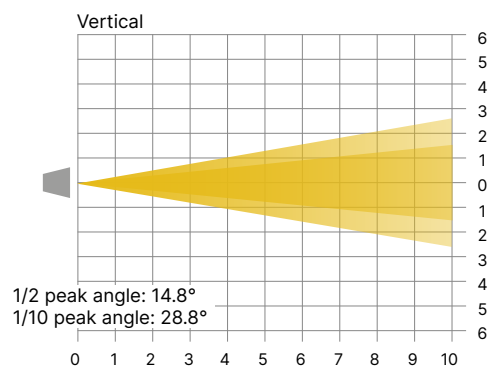
Optic: 50°

Distance (m)	1	2	3	4	5	6	7	8	9	10	
lux	3.200 K	9540	2385	1060	596	382	265	195	149	118	95
1/2 P.A. Ø (m)	0.76	1.51	2.27	3.02	3.78	4.53	5.29	6.05	6.80	7.56	
1/10 P.A. Ø (m)	1.14	2.29	3.43	4.57	5.72	6.86	8.00	9.14	10.29	11.43	



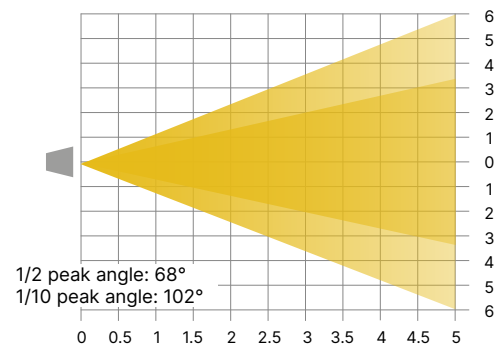
Optic: 13°x40°

Distance (m)	1	2	3	4	5	6	7	8	9	10	
lux	3.200 K	17100	4275	1900	1069	684	475	349	267	211	171
1/2 P.A. Ø (m) Vertical	0.26	0.52	0.78	1.04	1.30	1.56	1.82	2.08	2.34	2.60	
1/10 P.A. Ø (m) Vertical	0.51	1.03	1.54	2.05	2.57	3.08	3.59	4.11	4.62	5.13	
1/2 P.A. Ø (m) Horizontal	0.66	1.31	1.97	2.63	3.28	3.94	4.60	5.25	5.91	6.57	
1/10 P.A. Ø (m) Horizontal	1.18	2.35	3.53	4.71	5.88	7.06	8.24	9.41	10.59	11.76	

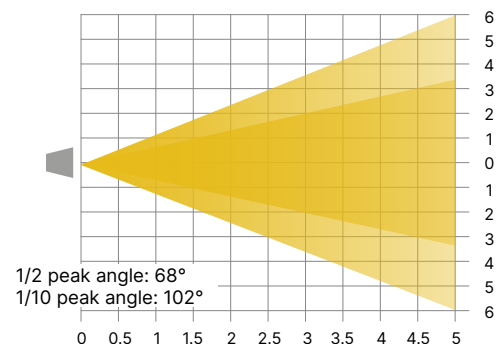


ParLite LED Tungsten - CRI 83, TLCI 71Optic: **110° Flood Reflector**

Distance (m)	0.5	1	1.5	2	2.5	3	3.5	4	4.5	5	
lux	3.200 K	8656	2164	962	541	346	240	177	135	107	87
1/2 P.A. Ø (m)	0.67	1.35	2.02	2.70	3.37	4.05	4.72	5.40	6.07	6.75	
1/10 P.A. Ø (m)	1.23	2.47	3.70	4.94	6.17	7.41	8.64	9.88	11.11	12.35	

**ParLite LED Tungsten - CRI 92, TLCI 91**Optic: **110° Flood Reflector**

Distance (m)	0.5	1	1.5	2	2.5	3	3.5	4	4.5	5	
lux	3.200 K	5552	1388	617	347	222	154	113	87	69	56
1/2 P.A. Ø (m)	0.67	1.35	2.02	2.70	3.37	4.05	4.72	5.40	6.07	6.75	
1/10 P.A. Ø (m)	1.23	2.47	3.70	4.94	6.17	7.41	8.64	9.88	11.11	12.35	



● Coemar Lighting S.r.l.

Via Carpenedolo, 90
46043, Castiglione delle Stiviere (MN) – Italy

P. +39 0376 1514412

M1. info@coemar.com

M2. service@coemar.com

W. coemar.com

P.iva – C.f. 02415330204

